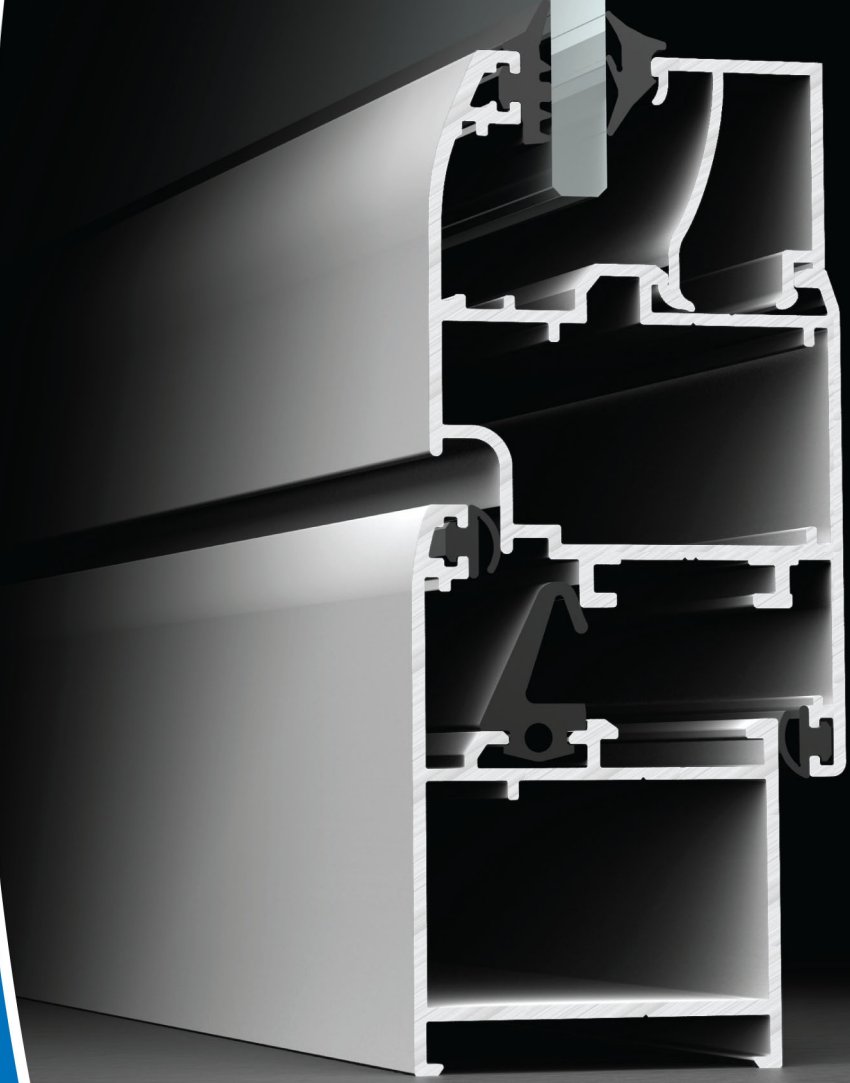


EDITION / VERSİYON
UPDATE / GÜNCELLEME

01/2017
07/2020

WINDOW AND DOOR
PENCERE VE KAPI
SYSTEM 40C
SİSTEM 40C



KURTOĞLU®
ALUMINIUM





HARMONY OF SAFETY AESTHETICS

INDEX / İÇİNDEKİLER

Company Information / Hakkımızda	
Technical Information/ Teknik Bilgiler	1-7
Profiles / Profiller	
Aluminium	9-28
Perimetric	29-34
Details / Detaylar	
Aluminium	35-67
Perimetric	69-80
Glazing Tables / Cam Tabloları	81-83
Accessories / Aksesuarlar	85-91
Cutting Size / Kesim Ölçüleri	93-98
Assembly Details / Montaj Detayları	99-106
Notes / Notlar	



www.kurtoğluas.com



'KURTOĞLU ALÜMİNYUM SİSTEMLERİ,
MİMARİ PROJELERİNİZE ESTETİK ÇÖZÜMLER SUNAR.'





COMPANY INFORMATION

FİRMAMIZ HAKKINDA

The company started its work life with copper and lead casting in the 1960s and in the 1980s we started to serve in The Aluminium Sector with a 1200 ton capacity aluminium extrusion press. KURTOĞLU Aluminium is located in Corlu, approximately 100 km faraway from Istanbul and it operates in 31.000 m² closed area. According to our latest investments the company has become a full modern integrated aluminium extrusion company;

- Increasing its annual production capacity to ~ 34.000 tons,
- Working with ~ 500 qualified employers,
- Using the ISO 9001:2015 Management System.
- Qualicoat Seaside, Qualanod, CE Certification

The company's main production features are described as below:

- Tool Building,
- Aluminium Extrusion Presses, (800 us/tons , 1460 us/tons, 1880 us/tons, 1880 us/tons, 2100 us/tons and 2600 us/tons),
- Anodising (75.000 amps - 412.500 m² / month)
- Electrostatic powder paint facility (750.000 m² / month)
- Mechanical (CNC Applications) treatments
- Wood effect, surface applications

Kurtoğlu Alüminyum Export it's Products to; Switzerland, Germany, England UK, Austria, Greece, Cyprus, Bulgaria, Libya, Ghana, Russian Federation, Ukraine, Lithuania, Moldavia, Serbia, Montenegro, Hungary, Iran, Iraq, Armenia, Albania, Georgia, The Netherlands, Sweden, Poland, Czech Republic, Isreal, Belarus, Azerbaijan, Turkmenistan, Tajikistan, Kyrgyzstan, Kazakhstan, Macedonia, Romania, Gabon, Qatar, Tunisie, France, Algeria, Nigeria, Madagascar.

Şirketimiz 1960' lı yıllarda Bakır ve Kurşun ile üretim hayatına başlamıştır. 1980 yılında 1200 tonluk Alüminyum Ekstrüzyon presi ile üretim sektörüne girmiştir.

KURTOĞLU Alüminyum; İstanbul'a yaklaşık 100 km mesafede Çorlu'da bulunmaktadır. 31.000 m² kapalı alanda faaliyetini sürdürmektedir. Son yapılan yatırımlarla şirketimiz modern bir entegre tesis haline ulaşmıştır.

- Yıllık kapasite ~ 34.000 ton,
- Yaklaşık ~ 500 kalifiye eleman,
- ISO 9001:2015 kalite sistemi,
- Qualicoat Seaside Belgesi,
- Qualanod Belgesi,
- CE Belgesi,

Şirketimizin ana özellikleri aşağıda da belirtilmiştir:

- Kalıphane Bölümü (Tel erozyon, İşleme Merkezi)
- Alüminyum Ekstrüzyon Presleri; (800 ton, 1460 ton, 1880 ton, 1460/1880 ton, 2100 ton ve 2600 ton),
- Eloksal Tesisi (75.000 Amper - 412.500 m² / Ay)
- Elektrostatik Toz Boya Tesisi (750.000 m² / Ay)
- Mekanik İşlem Bölümü (CNC İşleme Merkezi)

KURTOĞLU Alüminyum Ürünleri; İsviçre, Almanya, Avusturya, Yunanistan, Kıbrıs, Bulgaristan, Libya, Gana, Rusya Federasyonu, Ukrayna, Litvanya, Moldova, Sırbistan, Karadağ, Macaristan, İran, Irak, Cezayir, Tunus, Katar, Arnavutluk, Gürcistan, Hollanda, İsveç, Polonya, Çek Cumhuriyeti, Hırvatistan, İsrail, Beyaz Rusya, Nijerya, Azerbaycan, Türkmenistan, Özbekistan, Tacikistan, Kırgızistan, Kazakistan, Makedonya, Romanya'ya ihraç edilmektedir.

KURTOĞLU ALÜMİNYUM müşterilerine sıfır hata ile hizmet vermeyi temel olarak çalışmalarını sürdürmektedir.

'The countries of export; İhracat yapılan ülkeler'

SAN FRANCISCO
LOS ANGELES
UNITED STATES OF AMERICA
NEW YORK

Kurtoğlu Aluminium countries of export / İhracat yapılan ülkeler.

- U.S. America / Amerika
- New York / New York
- Los Angeles / Los Angeles
- San Francisco / San Francisco
- Switzerland / İsviçre
- Germany / Almanya
- Austria / Avusturya
- Belgium / Belçika
- Sweden / İsveç
- Albania / Arnavutluk
- England / İngiltere
- Greece / Yunanistan
- Bulgaria / Bulgaristan
- Cyprus / Kıbrıs
- Serbia / Sırbistan
- Montenegro / Karadağ
- Hungary / Macaristan
- Georgia / Gürcistan
- Croatia / Hırvatistan
- Turkmenistan / Türkmenistan
- Kyrgyzstan / Kırgızistan
- Azerbaijan / Azerbaycan
- Moldova / Moldova
- Ukraine / Ukrayna
- Macedonia / Makedonya
- Kosovo / Kosova
- Romania / Romanya
- Belarus / Beyaz Rusya
- Czech Republic / Çek Cumhuriyeti
- Libya / Libya
- Iran / İran
- Iraq / Irak
- Algeria / Cezayir
- Tunisia / Tunus
- Qatar / Katar
- Nigeria / Nijerya
- Israel / İsrail
- Ghana / Gana
- Gabon / Gabon
- France / Fransa
- India / Hindistan
- Saudi Arabia / Suudi Arabistan
- Burkina Faso / Burkina Faso
- Ethiopia / Etiyopya
- Egypt / Mısır
- Ivory Coast / Fil Dişi Sahili
- Morocco / Fas
- Poland / Polonya
- The Netherlands / Hollanda
- Russia / Rusya
- Madagascar / Madagaskar
- Niger / Nijer
- Tanzania / Tanzanya
- Mozambique / Mozambik



KURTOĞLU®
ALUMINIUM





QUALITY POLICY

The company's quality policy is based upon the pillars of product quality, state of the art technology, customer satisfaction, training, environmental concerns, and continuous development. Kurtoglu always implements this policy in all of its operations and units.

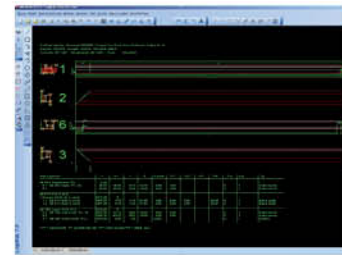
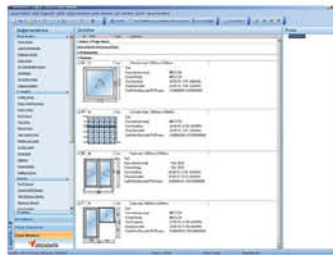
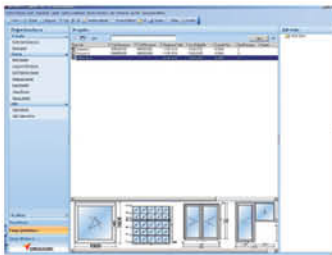
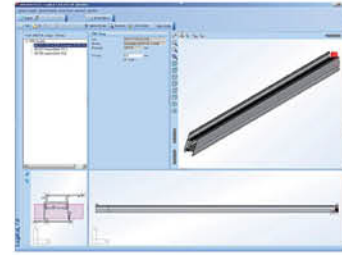
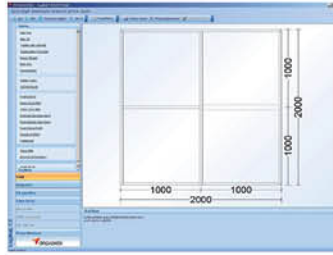
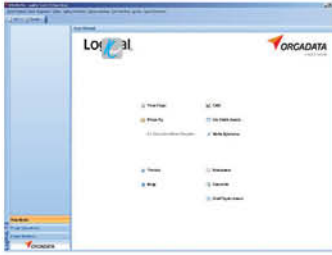


KALİTE POLİTİKASI

Şirketin kalite politikası ürün kalitesine, yeni teknolojilere, müşteri memnuniyetine, eğitime, çevre duyarlılığına ve sürekli gelişime dayanır. Kurtoglu, her zaman tüm faaliyet ve birimlerinde bu politikayı uygular.

ORGADATA SOFTWARE & SOLUTION PARTNER

The conversational software **Ksoft®** matches perfectly the requirements of aluminium and steel window, door and curtain wall construction in matters of configuration, functionality and menu navigation. **Ksoft®** is the complete service package for architectural profile constructions and features all you need in the metal-working business. And all that with tremendous speed and perfection.



ORGADATA YAZILIM VE ÇÖZÜM ORTAĞI

İletişimli **Ksoft®** yazılımı tüm alüminyum pencereler, kapı ve cephe sistemleri konfigürasyon, fonksiyonel ve menü navigasyonu ile ilgili ihtiyaçları karşılar. **Ksoft®** yazılım programı mimari profil uygulaması ve metal işinde gerekli özellikleri optimum hız ve olağanüstü sunan tam bir program paketidir.

rosenheimcertificate / rosenheimsertifikasi

Evidence of Performance

Air permeability, Watertightness, Resistance to wind load



Test Report

No. **11-003575-PR01**

(PB-A01-02-en-01)

Client **KURTOGLU ALUMINYUM
BAKIR KURSUN SAN. A.S.
Hacıseremet Mevkii TEM Corlu Cikisi Velimese
59860 Tekirdag
Turkey**

Basis

EN 14351-1:2006+A1:2010

Test standard/s:
EN 1026:2000-06
EN 1027:2000-06
EN 12211:2000-06

Corresponds to the national
standard/s (e.g. DIN EN)

Representation

Product **Tilt and turn window with fixed sublight**

Designation **System designation: 40 C**

**Performance-relevant
product details** **Material: Aluminium profiles**

**Overall dimensions
(WxD)** **792 mm x 2,000 mm**

Special features



Instructions for use

The results obtained can be used by the manufacturer as the basis for the manufacturer ITT test report summary. Observe the specifications set out by the applicable product standard.

Validity

The data and results refer solely to the tested and described specimen. Classification remains valid as long as the product and the above basis remain unchanged. The results can be extrapolated under the manufacturer's own liability subject to observance of the relevant specifications set out by the applicable product standard. This test/evaluation does not allow any statement to be made on any further characteristics regarding performance and quality of the construction presented, in particular the effects of weathering and ageing were not taken into account.

Notes on publication

The Ift-Guidance Sheet "Advertising with Ift test documents" applies. The cover sheet can be used as an abstract.

The report contains a total of 20 pages.

Results

Air permeability according to EN 12207:1999-11



Class 4

Watertightness according to EN 12208:1999-11



Class E1200

Resistance to wind load
according to EN 12210:1999-11/AC:2002-08



Class C3 / B3

ift Rosenheim
20.01.2012

Jörn Peter Lass, Dipl.-Ing. (FH)
Head of Testing Department
Building Components

Robert Kolacny, Dipl.-Ing. (FH)
Operating Product Officer
Building Components



ift Rosenheim GmbH
Geschäftsführer:
Dipl.-Ing. (FH) Ulrich Sieberath
Dr. Jochen Peichl

Theodor-Gietl-Str. 7 - 9
D-83026 Rosenheim
Tel.: +49 (0)8031/261-0
Fax: +49 (0)8031/261-290
www.ift-rosenheim.de

Sitz: 83026 Rosenheim
AG Traunstein, HRB 14763
Sparkasse Rosenheim
Kto. 3822
BLZ 711 500 00

Notified Body Nr.: 0757
Anerkannte PUZ-Stelle: BAY 18
Deutscher
Anerkannter
Prüfung
DAP-PL-0808 09
DAP-ZE-2288 00
TGA-ZM-16-93-00
TGA-ZM-16-93-00

Technical**information**

Technical**information**

SYSTEM 40C

GENERAL PROPERTIES

- 1- Glazing: from 4 to 22 mm
- 2- E.P.D.M. Sealing Gasket
- 3- Efficient drainage of the vent section
- 4- Efficient chamber for pressure leveling which provides a better watertightness.
- 5- Central sealing gasket for a better wind and watertightness.
- 6- Proved drainage avoids infiltration of water under the central gasket.
- 7- Direct front chamber drainage.
- 8- Economic height: frame: 40mm
vent: 45 mm
- 9- Alternatif conren cleats with pres and die cast corner joint
- 10- Acoustical gasket in E.P.D.M.
- 11- 6060 / 6063 aluminium alloy

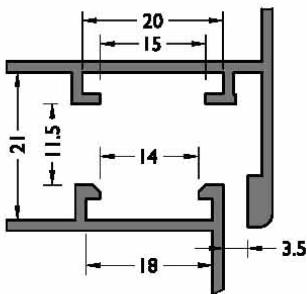
40C ALUminium

- 1- EURO groove I

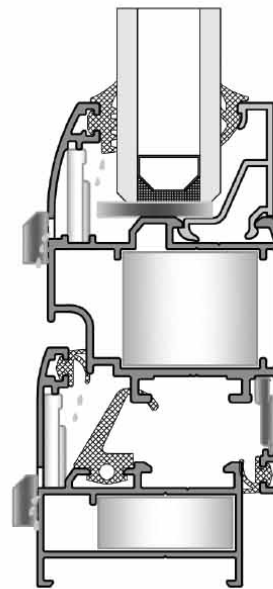
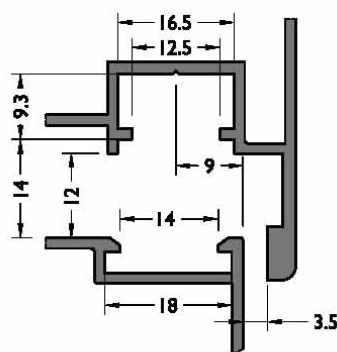
40C PERImetric

- 1- Perimetric Groove suitable for 9 axis and 20 mm hinge
- 2- 09-156-00 extruded joint is suitable for GU unijet - D and Siegenia Aubi A 300

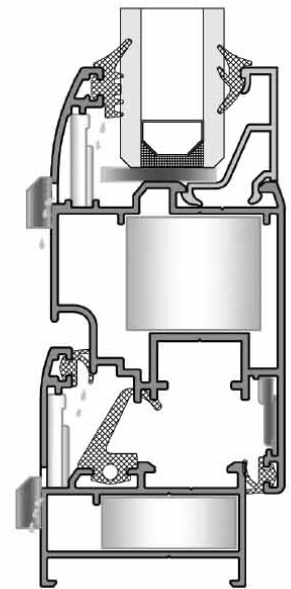
Euro Groove Section



Multilock Section



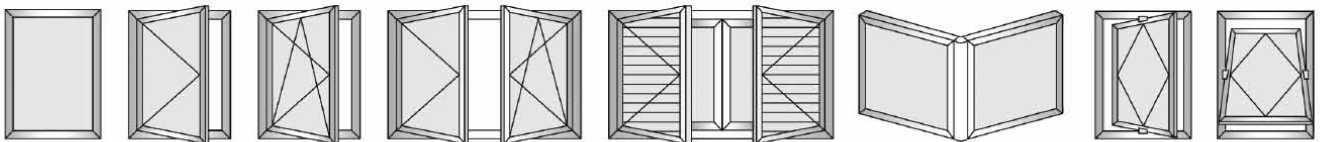
40C ALUminium



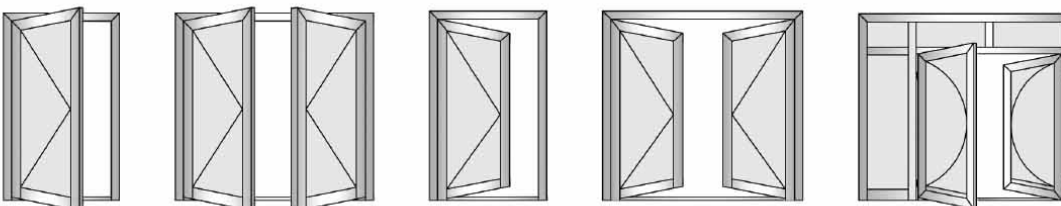
40C PERImetric

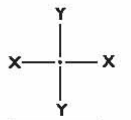
EXTERIOR VIEW

- FIXED SIDE HUNG WINDOW TILT & TURN WINDOW TILT & TURN AND SIDE HUNG WINDOW WINDOW WITH PANJUR ANGULAR PIVOT OPENING



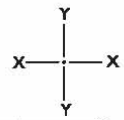
- INSIDE OPENING DOOR INSIDE DOUBLE OPENING DOOR OUTSIDE OPENING DOOR OUTSIDE DOUBLE OPENING DOOR SWINGING DOOR





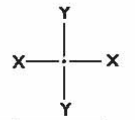
Code	Drawing	Theoretical Weight kg/m	Statics		Covering Surface (cm)	
			Jxx (cm ⁴)	Jyy (cm ⁴)	Inside	Outside
40C-101-00		0.594	4.59	2.99	2.93	5.57
40C-102-00		0.756	12.85	9.18	6.19	5.56
40C-103-00		0.701	5.94	6.40	4.13	6.77
40C-106-00		0.723	6.19	6.83	4.23	6.87
40C-104-00		1.050	17.61	11.54	4.13	8.64
40C-105-00		1.786	9.55	164.29	-	-
40C-201-00		0.786	7.21	5.66	5.01	5.82
40C-202-00		0.815	7.99	7.14	7.72	5.96
40C-203-00		0.908	9.24	10.89	6.21	7.26

Code	Drawing	Theoretical Weight kg/m	Statics		Covering Surface (cm)	
			Jxx (cm ⁴)	Jyy (cm ⁴)	Inside	Outside
40C-204-00		0.998	11.76	25.07	8.83	9.29
40C-205-00		0.997	10.79	25.40	6.83	10.94
40C-206-00		0.795	6.79	8.51	5.84	7.86
40C-209-00		0.724	5.02	5.63	4.26	6.80
40C-210-00		1.029	9.65	15.28	5.55	9.18
40C-301-00		0.759	5.00	5.66	2.84	8.03
40C-302-00		0.831	6.07	11.04	4.08	9.27
40C-303-00		0.927	6.64	13.64	4.54	9.73
40C-304-00		1.019	6.71	13.79	4.54	9.73



Code	Drawing	Theoretical Weight kg/m	Statics		Covering Surface (cm)	
			Jxx (cm ⁴)	Jyy (cm ⁴)	Inside	Outside
40C-305-00		1.051	75.7	10.53	9.69	7.97
40C-401-00		1.318	61.97	11.60	12.92	10.32
40C-402-00		1.410	65.29	11.74	12.92	10.32
40C-403-00		0.783	7.94	5.37	4.43	3.97
40C-404-00		0.491	-	-	3.81	5.2
40C-406-00		0.362	-	-	4.98	
40C-407-00		0.485	-	-	11.80	
20-101-00		0.355	-	-	7.13	
07-212-00		0.363	-	-	2.67	1.07

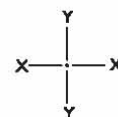
Code	Drawing	Theoretical Weight kg/m	Statics		Covering Surface (cm)	
			Jxx (cm ⁴)	Jyy (cm ⁴)	Inside	Outside
07-211-00		0.184	-	-	3.04	
07-301-00		0.516	-	-	17.5	
40C-501-00		0.856	6.09	6.55	6.90	
40C-502-00		0.675	4.73	7.14	1.82	6.62
40C-503-00		0.386	-	-	1.50	3.17
40C-504-00		0.592	-	-	2.29	4.85
10-127-015		0.530	4.21	4.21	14.16	
10-134-015		0.875	18.93	18.93	22.17	
40C-507-00		0.475	4.10	4.10	6.78	



Code	Drawing	Theoretical Weight kg/m	Statics		Covering Surface (cm)	
			Jxx (cm ⁴)	Jyy (cm ⁴)	Inside	Outside
40C-508-00		0.370	1.35	2.18	3.44	
40C-509-00		0.777	17.91	17.92	11.53	
40C-510-00		0.446	-	-	2.50	2.34
07-101-00		0.237	-	-	3.80	
07-102-00		0.325	-	-	6.86	
07-103-00		0.490	-	-	6.86	
07-201-00		0.119	-	-	1.67	
08-101-00		0.217	-	-	2.71	
08-102-00		0.223	-	-	3.02	

Code	Drawing	Theoretical Weight kg/m	Statics		Covering Surface (cm)	
			Jxx (cm ⁴)	Jyy (cm ⁴)	Inside	Outside
08-107-00		0.261	-	-	4.02	
08-108-00		0.269	-	-	4.23	
08-109-00		0.279	-	-	4.52	
08-110-00		0.264	-	-	4.08	
08-111-00		0.217	-	-	3.98	
09-101-00		2.570	-	-	-	-
09-103-00		3.702	-	-	-	-
09-105-00		5.473	-	-	-	-

perimetric profiles

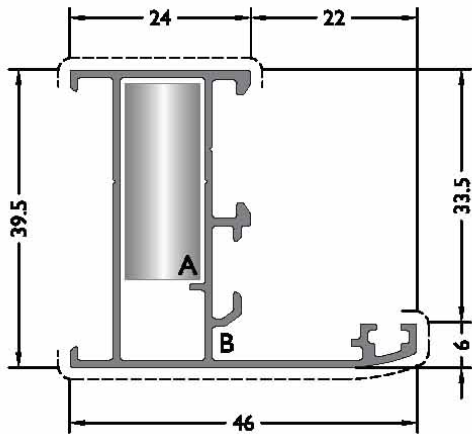


Code	Drawing	Theoretical Weight kg/m	Statics		Covering Surface (cm)	
			Jxx (cm ⁴)	Jyy (cm ⁴)	Inside	Outside
40C-151-00		0.877	7.35	8.84	4.65	7.47
40C-103-00		0.701	5.94	6.40	4.13	6.77
40C-106-00		0.723	6.19	6.83	4.23	6.87
40C-104-00		1.050	17.61	11.54	4.13	8.64
40C-251-00		0.927	8.89	9.15	5.96	6.96
40C-252-00		0.986	10.11	14.54	7.09	5.90
40C-253-00		1.141	12.68	31.75	8.99	9.54
40C-254-00		1.141	11.75	31.75	7.39	11.63
40C-351-00		0.973	7.31	13.09	5.07	9.70

Code	Drawing	Theoretical Weight kg/m	Statics		Covering Surface (cm)	
			Jxx (cm ⁴)	Jyy (cm ⁴)	Inside	Outside
40C-302-00		0.831	6.07	11.04	4.08	9.27
40C-551-00		0.852	5.93	6.50	1.40	7.44
09-102-00		2.995	-	-	-	-
09-156-00		5.101	-	-	-	-

Aluminium**profiles**

Aluminium**profiles**



CODE
40C-101-00

THEORETICAL WEIGHT kg/m
0.594

EXTRUDED CORNER JOINT



A CC-101-26.5

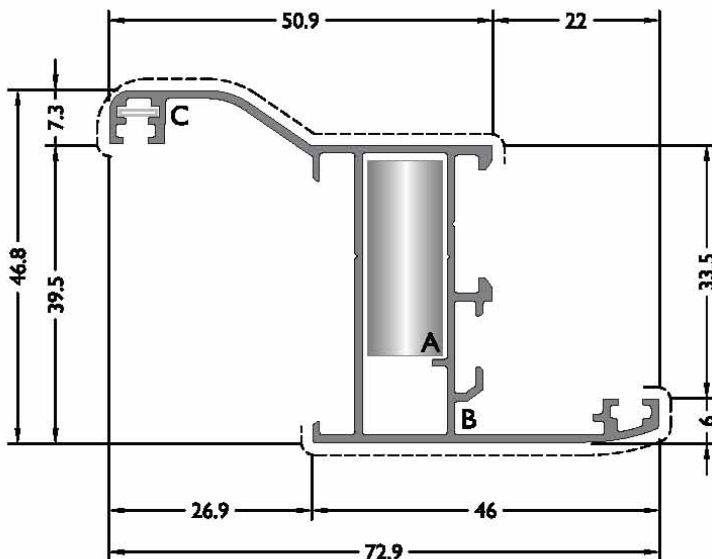


B FUJI 2000

DIE-CAST CORNER JOINT



LC-1127



CODE
40C-102-00

THEORETICAL WEIGHT kg/m
0.756

EXTRUDED CORNER JOINT



A CC-101-26.5



B FUJI 2000

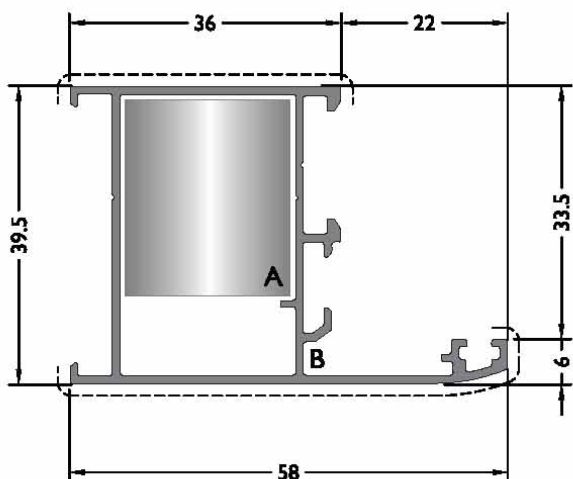


C MO 19

DIE-CAST CORNER JOINT



LC-1127



CODE
40C-103-00

THEORETICAL WEIGHT kg/m
0.701

EXTRUDED CORNER JOINT



A CC-103-26.5

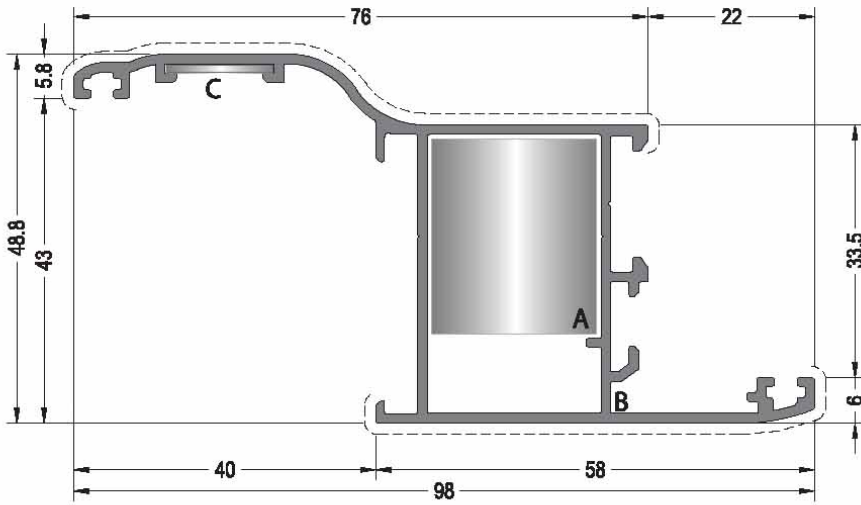


B FUJI 2000

DIE-CAST CORNER JOINT



LC-2327



CODE
40C-123-00

THEORETICAL WEIGHT kg/m
0.919

EXTRUDED CORNER JOINT



A CC-103-26.5



***A** CC-156-26.5



B LC-174

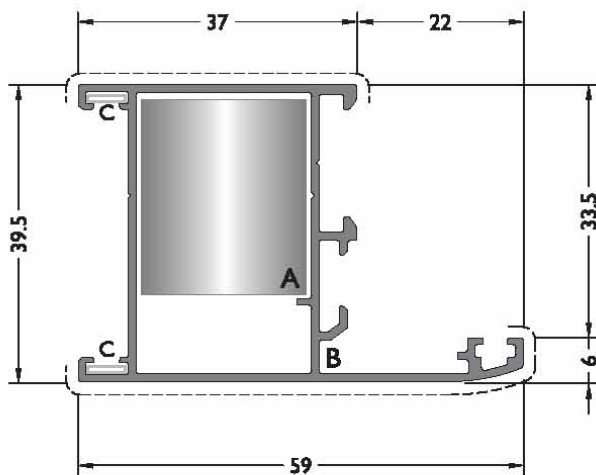


C MO 20.1

DIE-CAST CORNER JOINT



LC-2327



CODE
40C-106-00

THEORETICAL WEIGHT kg/m
0.723

EXTRUDED CORNER JOINT



A CC-103-26.5



B FUJI 2000

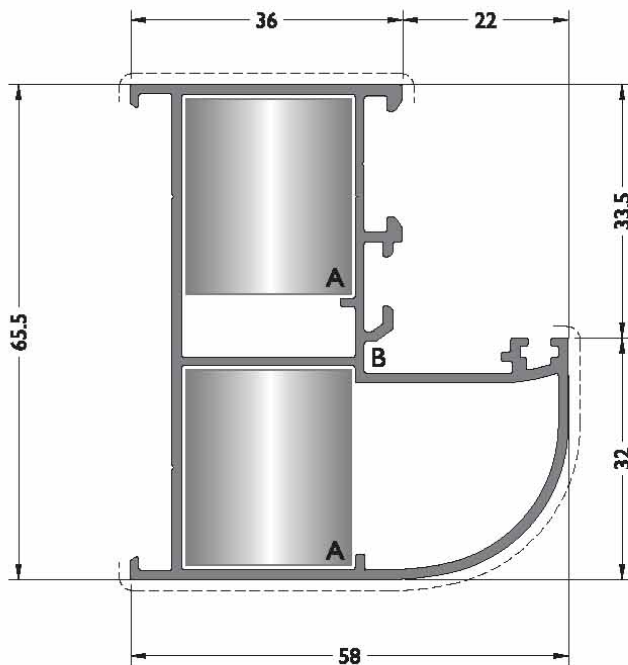


C MO 19

DIE-CAST CORNER JOINT



LC-2327



CODE
40C-104-00

THEORETICAL WEIGHT kg/m
1.031

EXTRUDED CORNER JOINT



A CC-103-26.5

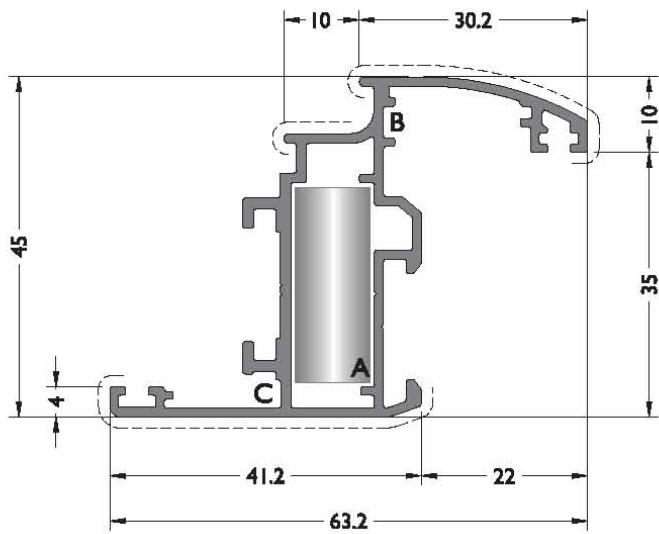


B FUJI 2000

DIE-CAST CORNER JOINT



LC-2327



CODE
40C-201-00

THEORETICAL WEIGHT kg/m
0.786

EXTRUDED CORNER JOINT



A CC-101-26.5



B FUJI 2000

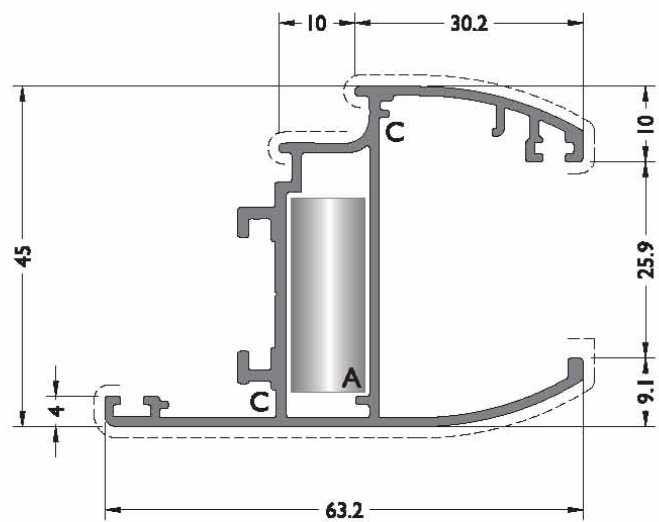


C MO 20

DIE-CAST CORNER JOINT



LC-1127



CODE
40C-202-00

THEORETICAL WEIGHT kg/m
0.815

EXTRUDED CORNER JOINT



A CC-101-26.5

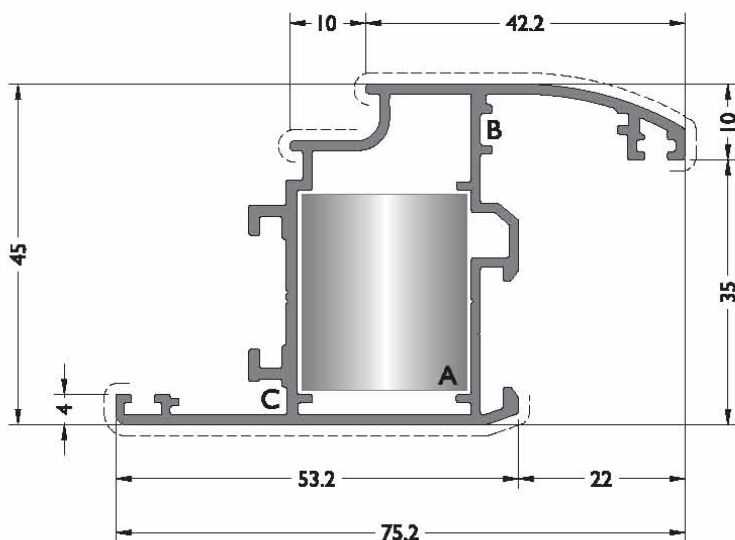


C MO 20

DIE-CAST CORNER JOINT



LC-1127



CODE
40C-203-00

THEORETICAL WEIGHT kg/m
0.908

EXTRUDED CORNER JOINT



A CC-103-26.5



B FUJI 2000

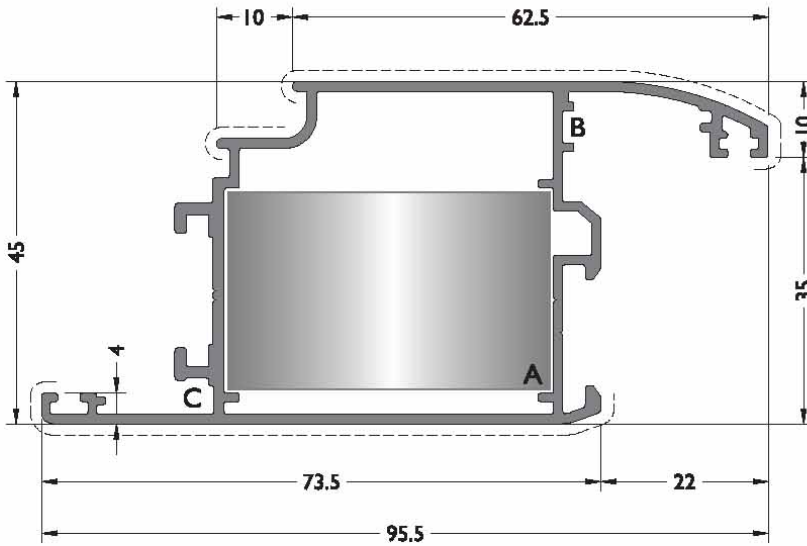


C MO 20

DIE-CAST CORNER JOINT



LC-2327



CODE
40C-204-00

THEORETICAL WEIGHT kg/m
0.998

EXTRUDED CORNER JOINT



A CC-105-26.5



B FUJI 2000

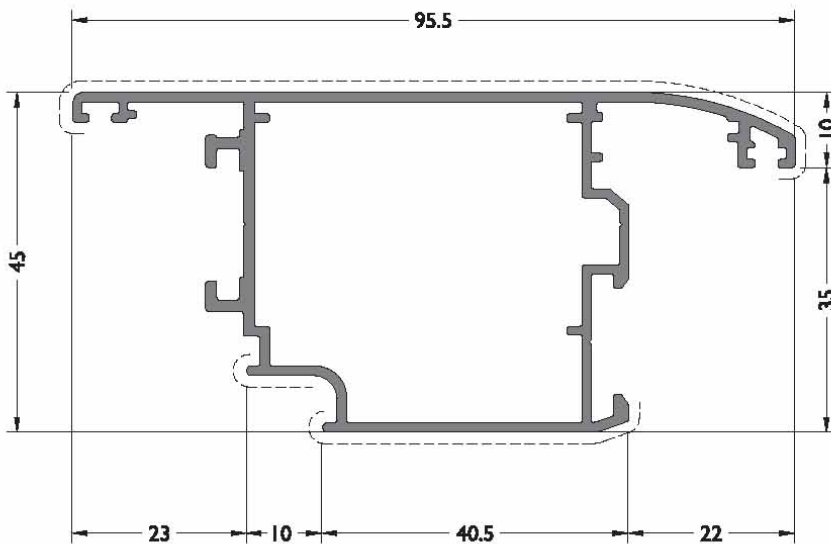


C MO 20

DIE-CAST CORNER JOINT



LC-4327



CODE
40C-205-00

THEORETICAL WEIGHT kg/m
0.997

EXTRUDED CORNER JOINT



A CC-105-26.5



B FUJI 2000

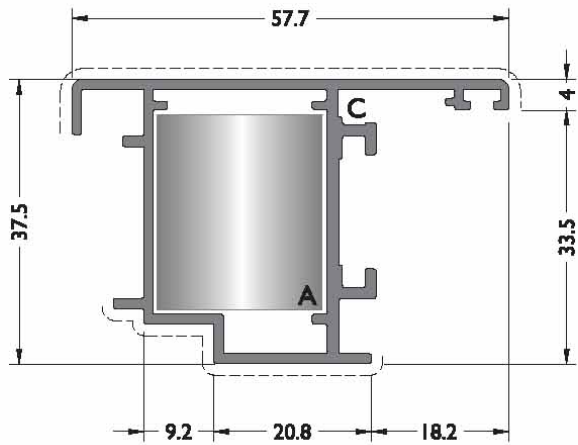


C MO 20

DIE-CAST CORNER JOINT



LC-4327



CODE
40C-209-00

THEORETICAL WEIGHT kg/m
0.724

EXTRUDED CORNER JOINT

DIE-CAST CORNER JOINT



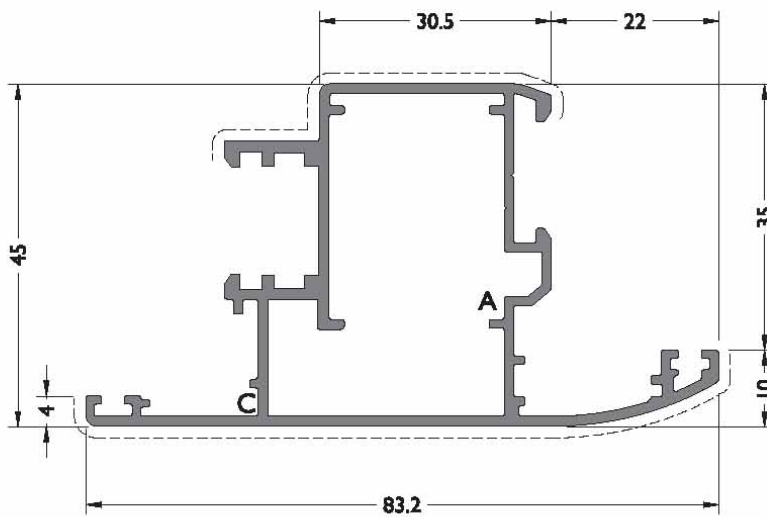
A CC-103-26.5



LC-2327



C MO 20



CODE
40C-210-00

THEORETICAL WEIGHT kg/m
1.029

EXTRUDED CORNER JOINT

DIE-CAST CORNER JOINT



A CC-103-26.5



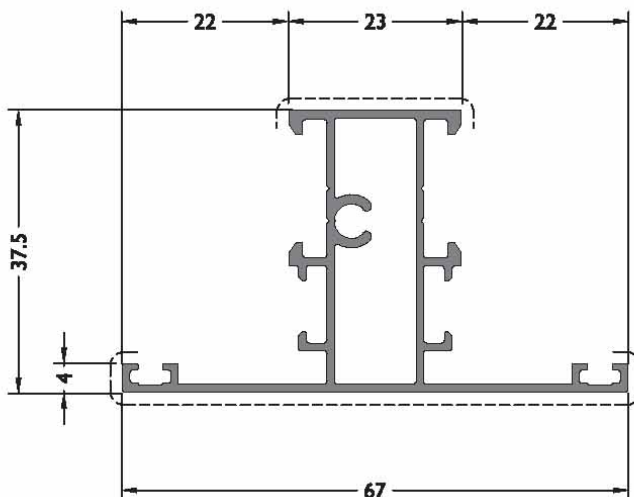
LC-2327



B FUJI 2000

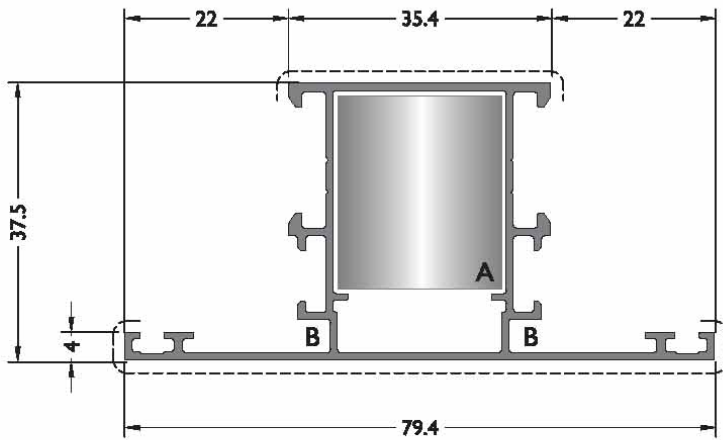


C MO 20



CODE
40C-301-00

THEORETICAL WEIGHT kg/m
0.759



CODE
40C-302-00

THEORETICAL WEIGHT kg/m
0.831

EXTRUDED CORNER JOINT



A CC-103-26.5

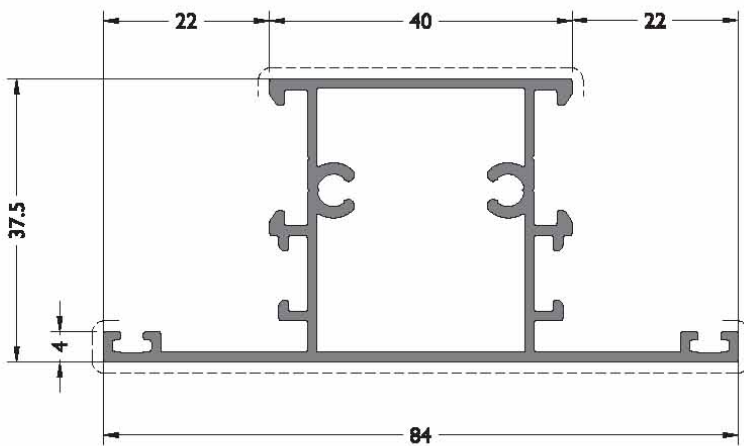


B FUJI 2000

DIE-CAST CORNER JOINT

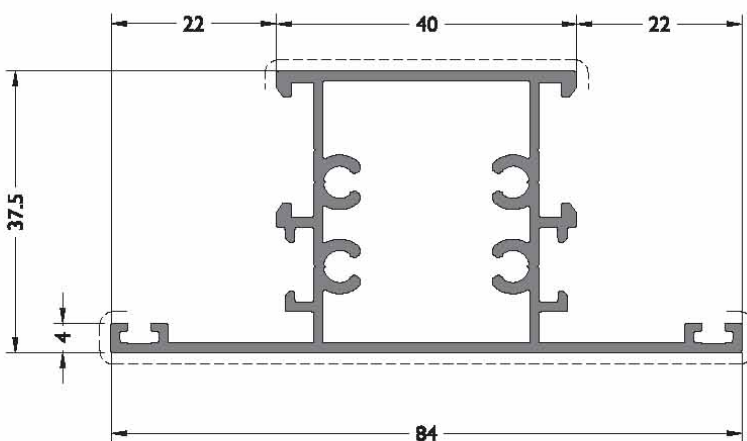


LC-2327



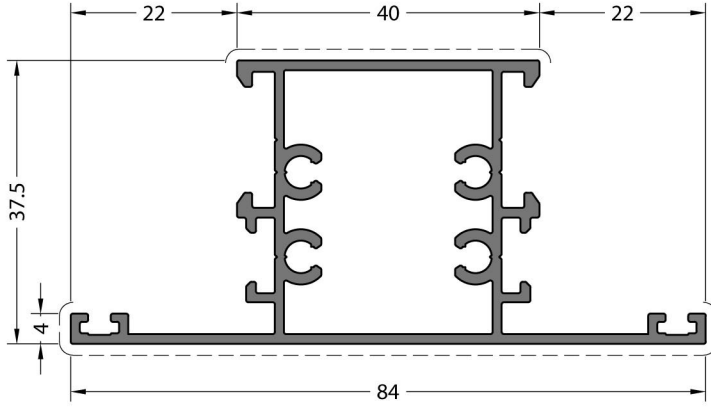
CODE
40C-303-00

THEORETICAL WEIGHT kg/m
0.927



CODE
40C-304-00

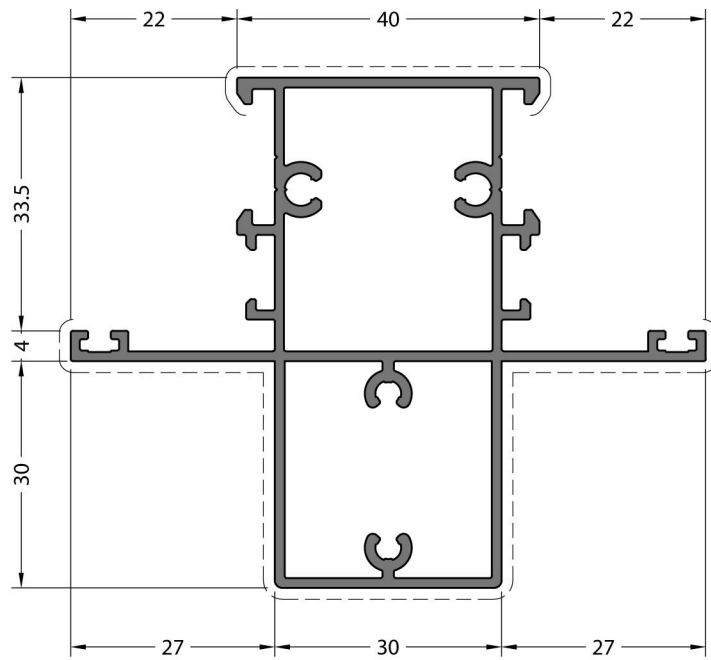
THEORETICAL WEIGHT kg/m
1.019



CODE / KOD

40C-304-00

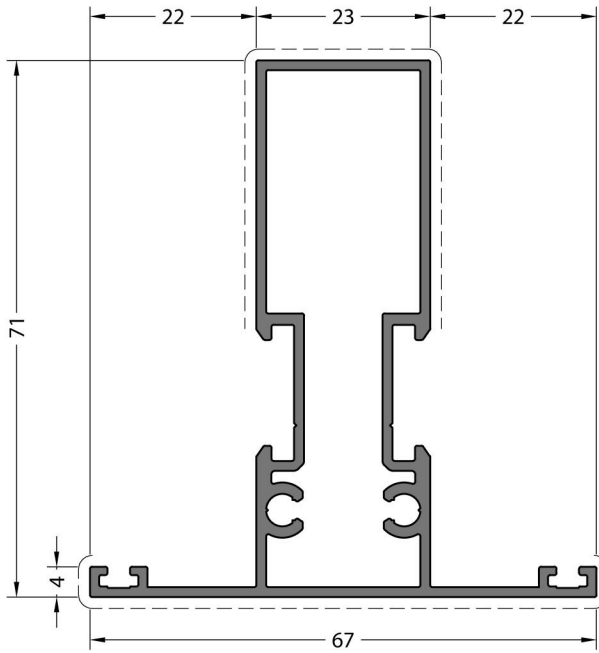
**THEORETICAL
WEIGHT kg/m**
TEORİK AĞIRLIK kg/m
1.015



CODE / KOD

40C-323-00

**THEORETICAL
WEIGHT kg/m**
TEORİK AĞIRLIK kg/m
1.326

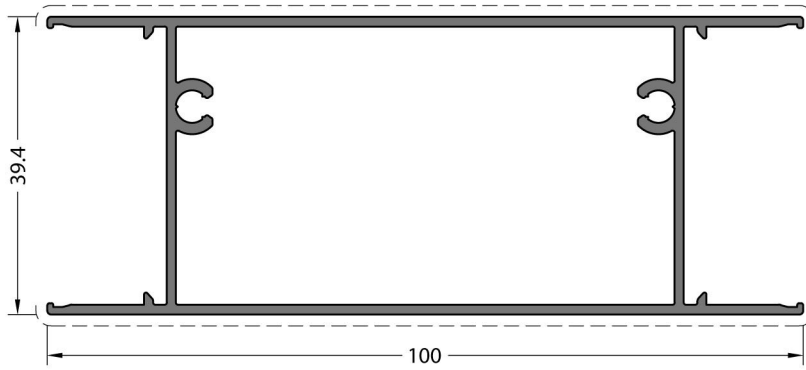


CODE / KOD

40C-305-00

THEORETICAL WEIGHT kg/m

TEORİK AĞIRLIK kg/m
1.047

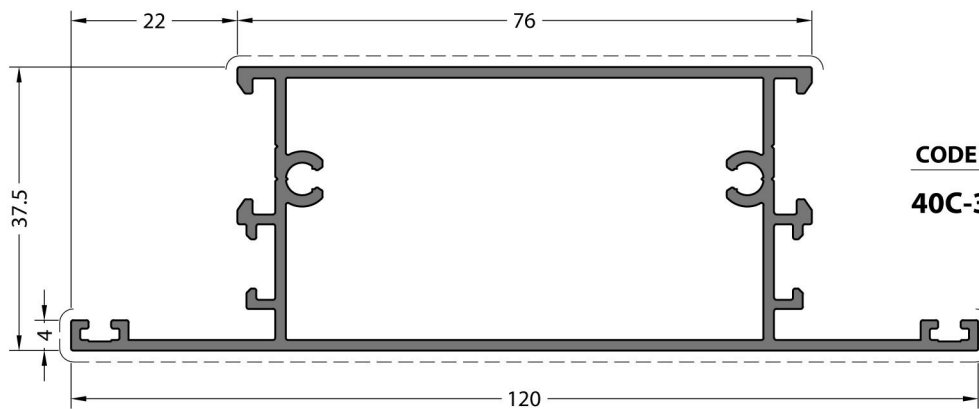


CODE / KOD

40C-307-00

THEORETICAL WEIGHT kg/m

TEORİK AĞIRLIK kg/m
1.042

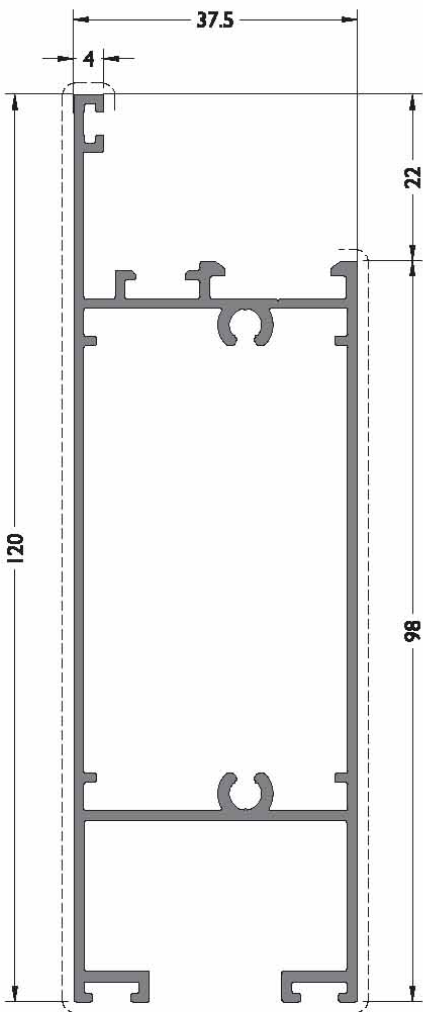


CODE / KOD

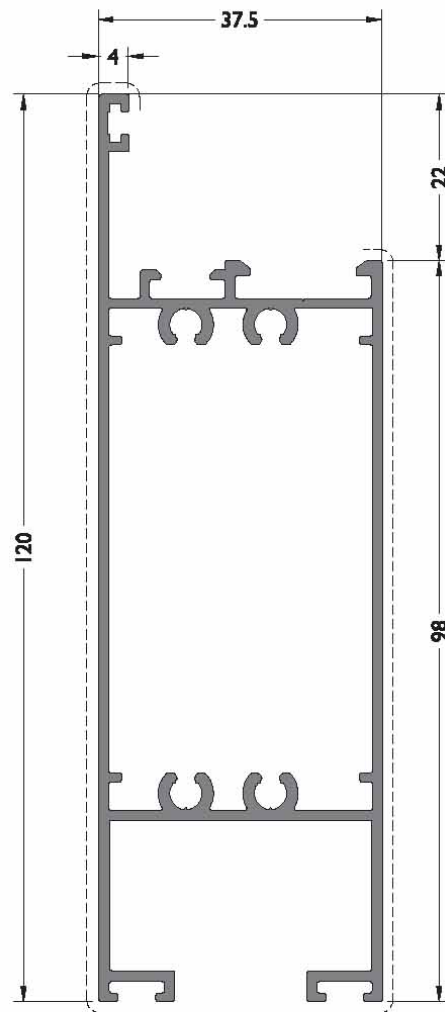
40C-308-00

THEORETICAL WEIGHT kg/m

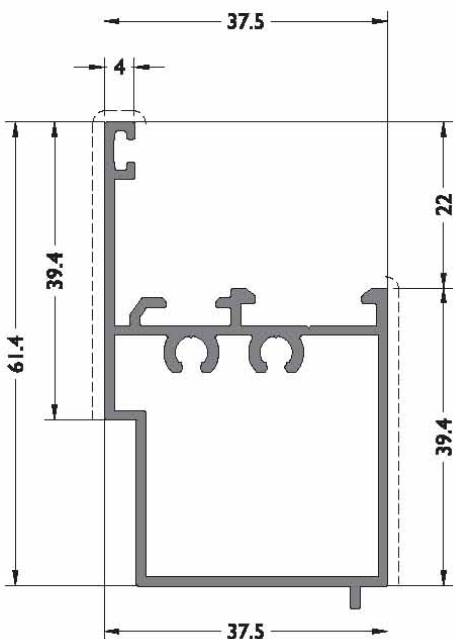
TEORİK AĞIRLIK kg/m
1.255



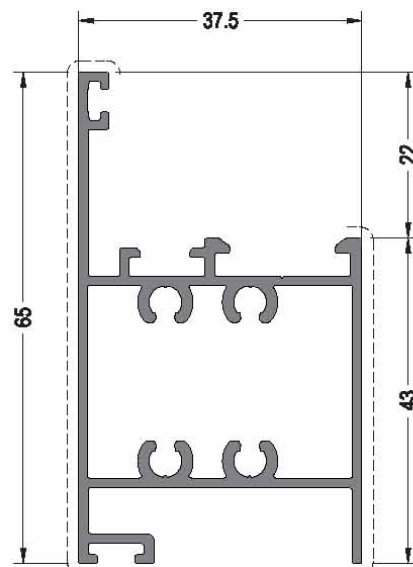
CODE
40C-401-00
THEORETICAL WEIGHT kg/m
1.318



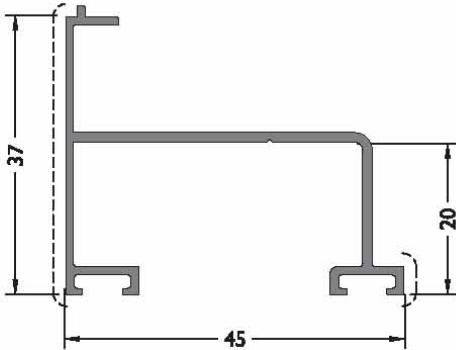
CODE
40C-402-00
THEORETICAL WEIGHT kg/m
1.410



CODE
40C-403-00
THEORETICAL WEIGHT kg/m
0.783

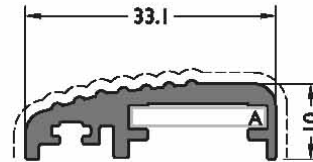


CODE
40C-412-12
THEORETICAL WEIGHT kg/m
0.917



CODE
40C-404-00

THEORETICAL WEIGHT kg/m
0.491



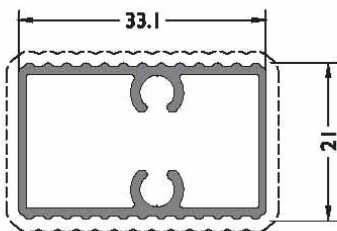
CODE
40C-406-00

THEORETICAL WEIGHT kg/m
0.362

CORNER JOINT

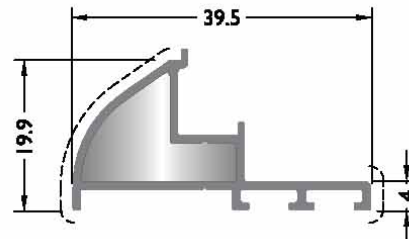


A P 100.1



CODE
40C-407-00

THEORETICAL WEIGHT kg/m
0.485



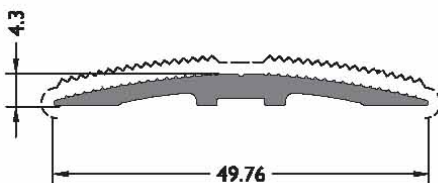
CODE
07-212-00

THEORETICAL WEIGHT kg/m
0.363

ADAPTER CUP

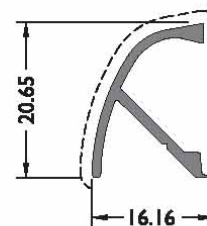


EM07-212



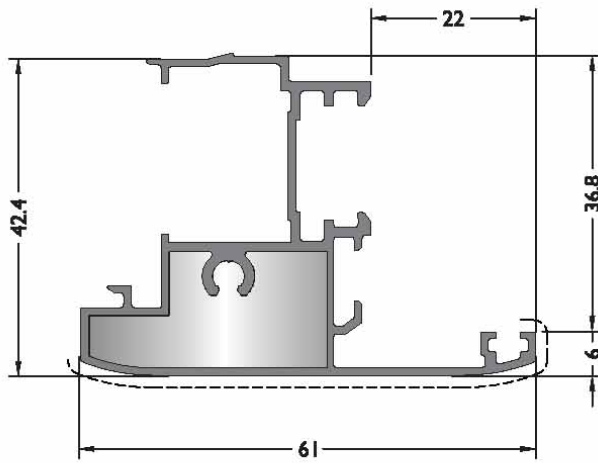
CODE
20-101-00

THEORETICAL WEIGHT kg/m
0.355



CODE
07-211-00

THEORETICAL WEIGHT kg/m
0.184



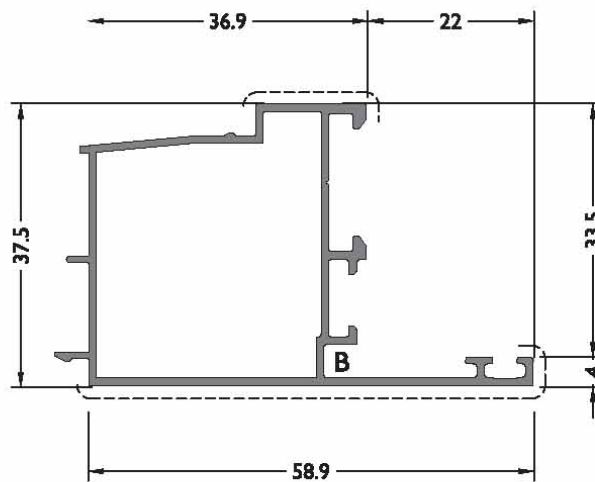
CODE
40C-501-00

THEORETICAL WEIGHT kg/m
0.856

ADAPTER CUP



EM40-501

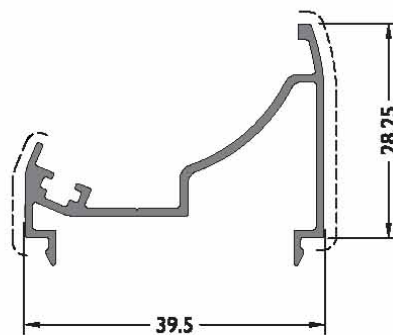


CODE
40C-502-00

THEORETICAL WEIGHT kg/m
0.675

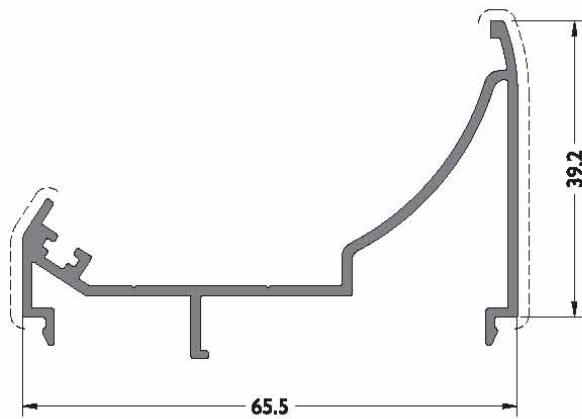


B FUJI 2000



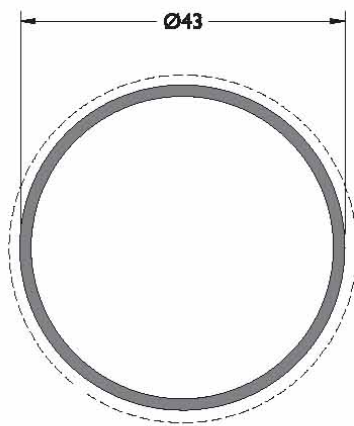
CODE
40C-503-00

THEORETICAL WEIGHT kg/m
0.386



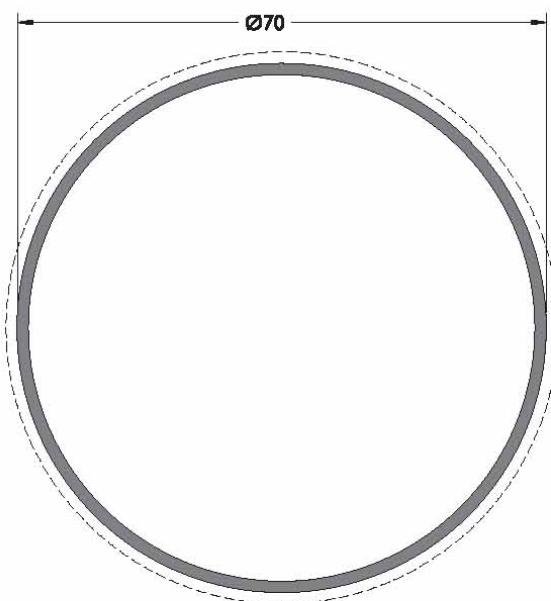
CODE
40C-504-00

THEORETICAL WEIGHT kg/m
0.592



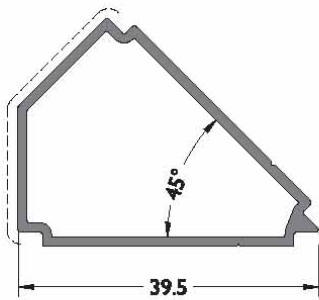
CODE
10-127-015

THEORETICAL WEIGHT kg/m
0.530



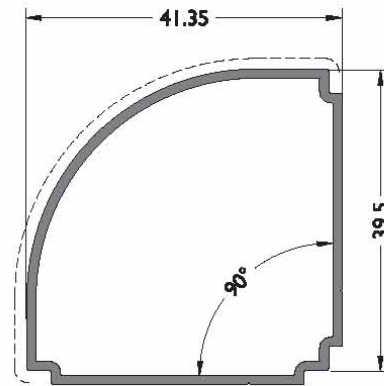
CODE
10-134-015

THEORETICAL WEIGHT kg/m
0.875



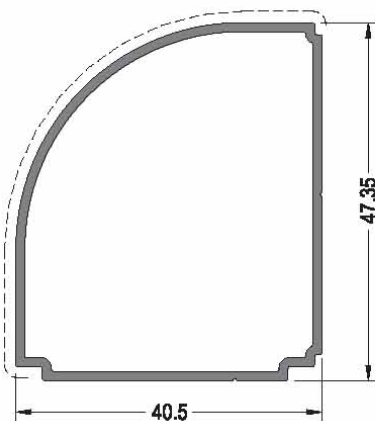
CODE
40C-508-00

THEORETICAL WEIGHT kg/m
0.370



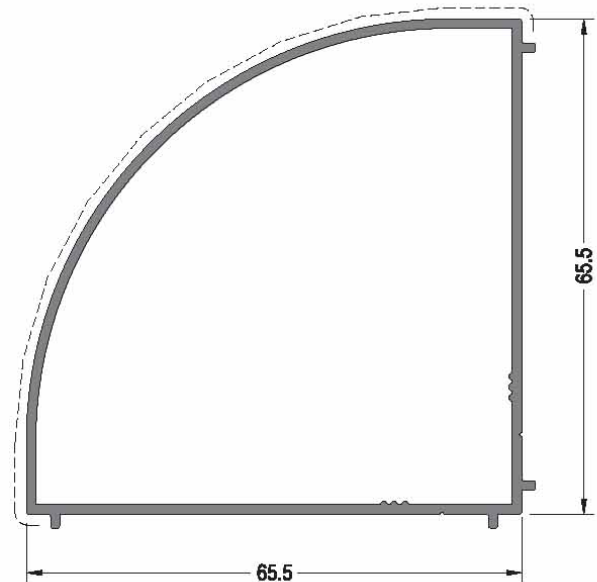
CODE
40C-507-00

THEORETICAL WEIGHT kg/m
0.475



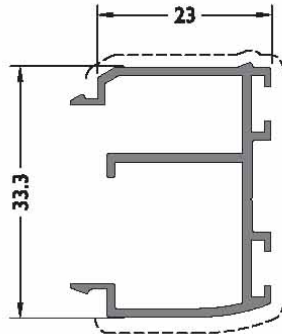
CODE
40C-511-00

THEORETICAL WEIGHT kg/m
0.507



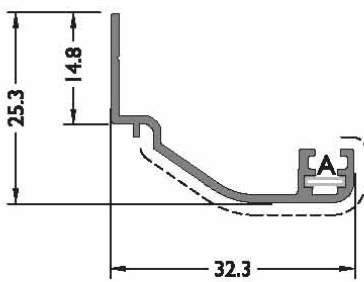
CODE
40C-509-00

THEORETICAL WEIGHT kg/m
0.816



CODE
40C-510-00

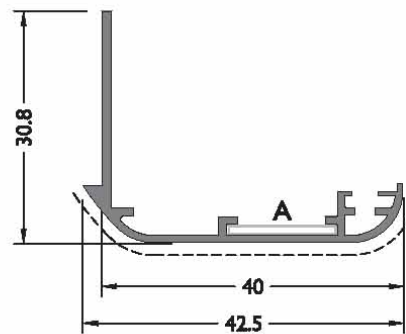
THEORETICAL WEIGHT kg/m
0.446



CODE
07-101-00

THEORETICAL WEIGHT kg/m
0.237

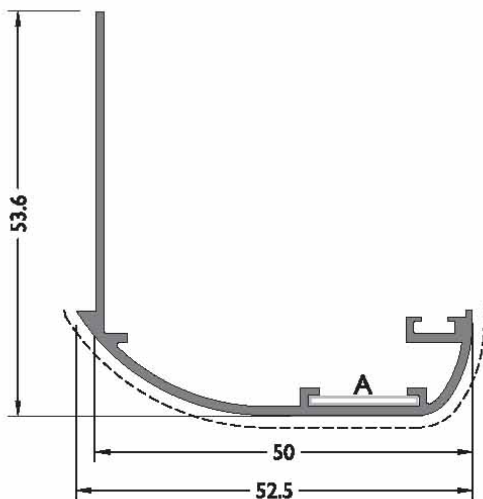
CORNER JOINT



CODE
07-102-00

THEORETICAL WEIGHT kg/m
0.325

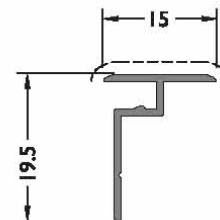
CORNER JOINT



CODE
07-103-00

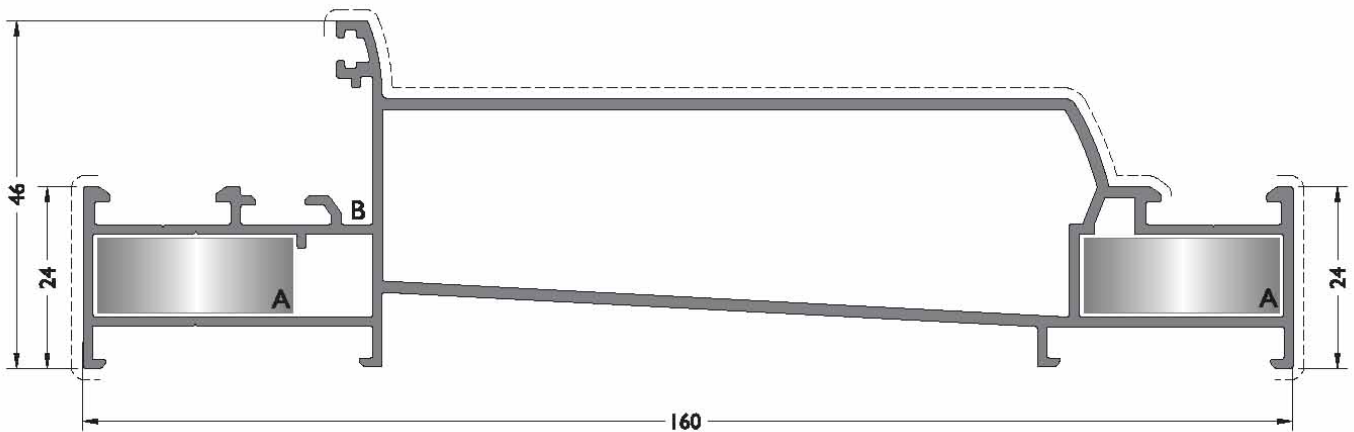
THEORETICAL WEIGHT kg/m
0.490

CORNER JOINT



CODE
07-201-00

THEORETICAL WEIGHT kg/m
0.119



CODE
40C-105-00

THEORETICAL WEIGHT kg/m
1.786

EXTRUDED CORNER JOINT



A CC-101-26.5

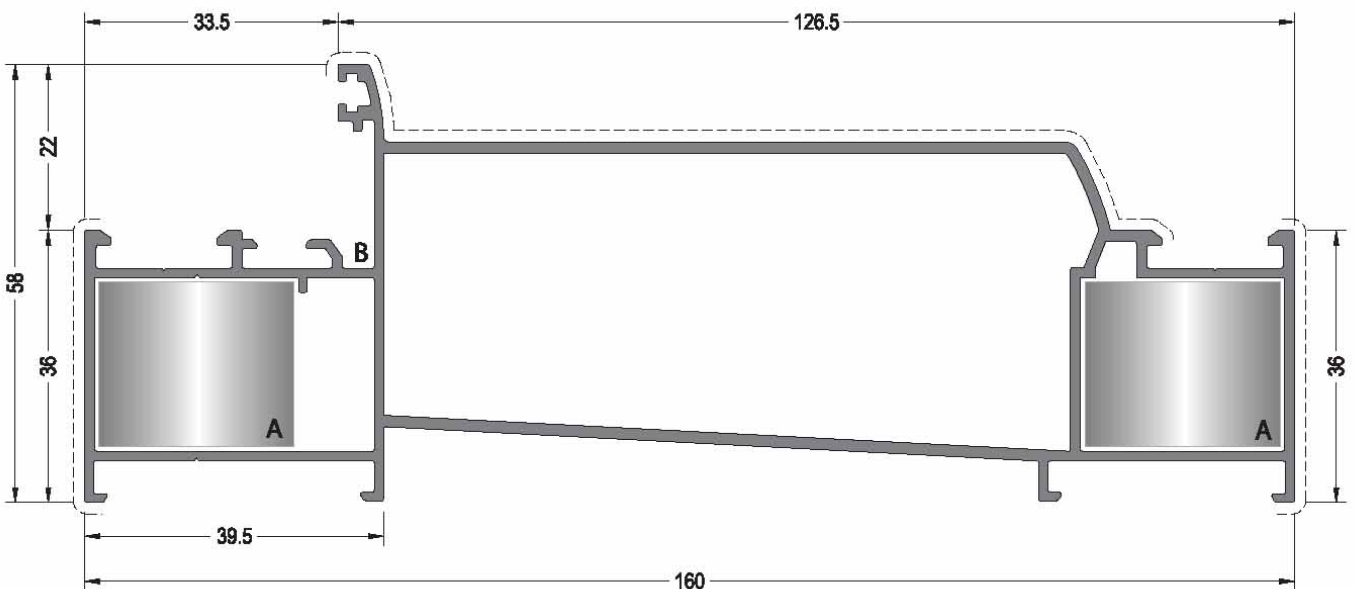


B FUJI 2000

DIE-CAST CORNER JOINT



LC-1127



CODE
40C-115-00

THEORETICAL WEIGHT kg/m
1.948

EXTRUDED CORNER JOINT



A CC-103-26.5

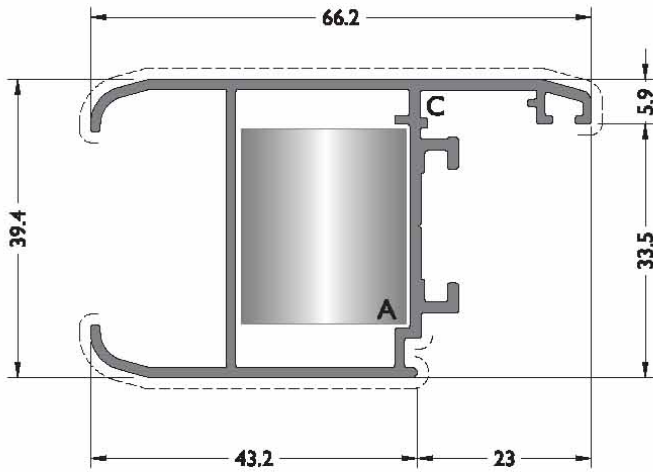


B LC-174

DIE-CAST CORNER JOINT



LC-2327



CODE
40C-206-00

THEORETICAL WEIGHT kg/m
0.795

EXTRUDED CORNER JOINT

DIE-CAST CORNER JOINT



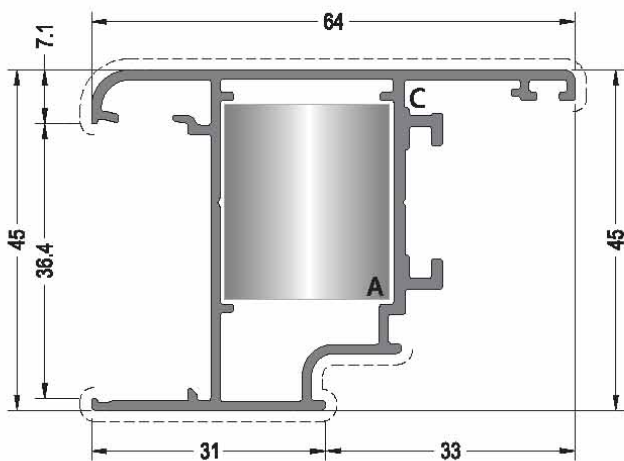
A CC-103-26.5



LC-2327



C MO 20



CODE
40C-207-00

THEORETICAL WEIGHT kg/m
0.814

EXTRUDED CORNER JOINT

DIE-CAST CORNER JOINT



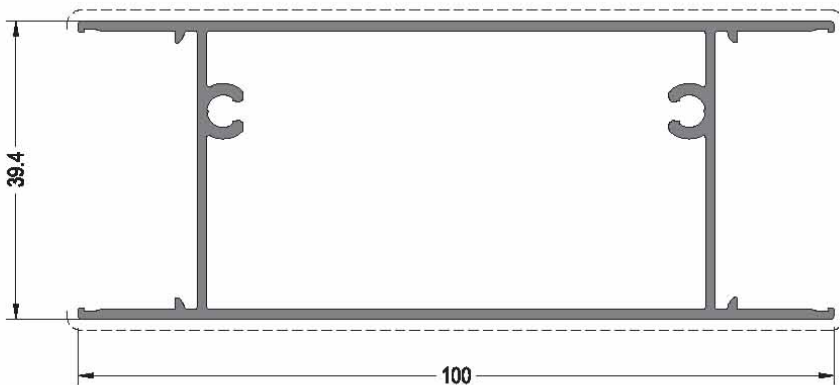
A CC-103-26.5



LC-2327

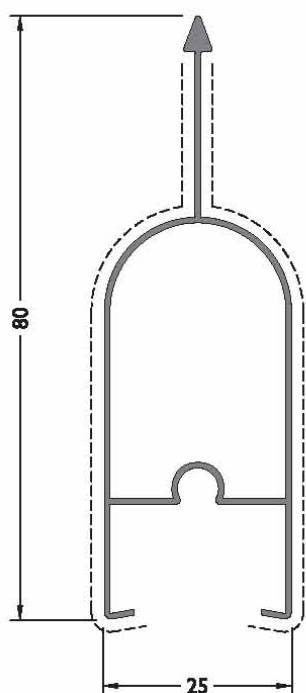


C PK 20



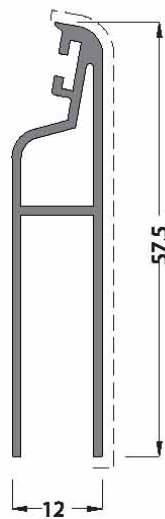
CODE
40C-307-00

THEORETICAL WEIGHT kg/m
1.042



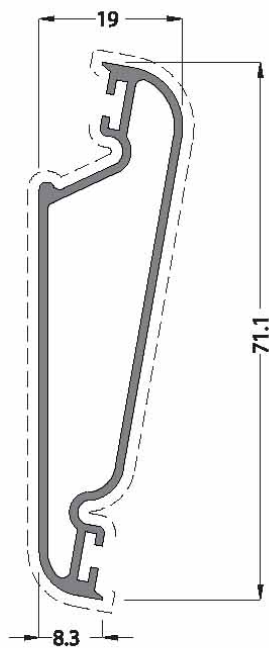
CODE
07-301-00

THEORETICAL WEIGHT kg/m
0.516



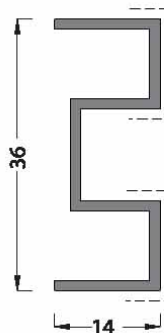
CODE
1258

THEORETICAL WEIGHT kg/m
0.450



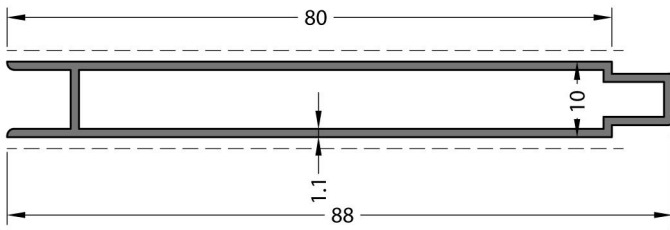
CODE
1259

THEORETICAL WEIGHT kg/m
0.529



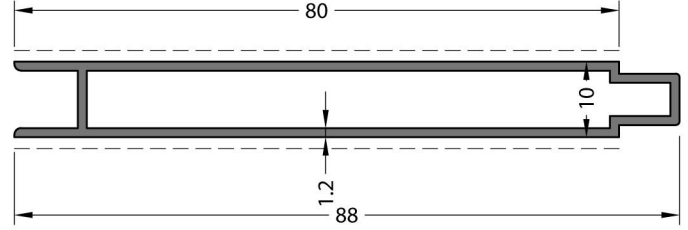
CODE
1260

THEORETICAL WEIGHT kg/m
0.308



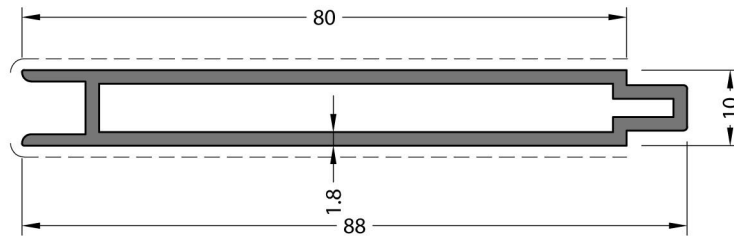
CODE / KOD
07-131-011

THEORETICAL WEIGHT kg/m
TEORİK AĞIRLIK kg/m
0.568



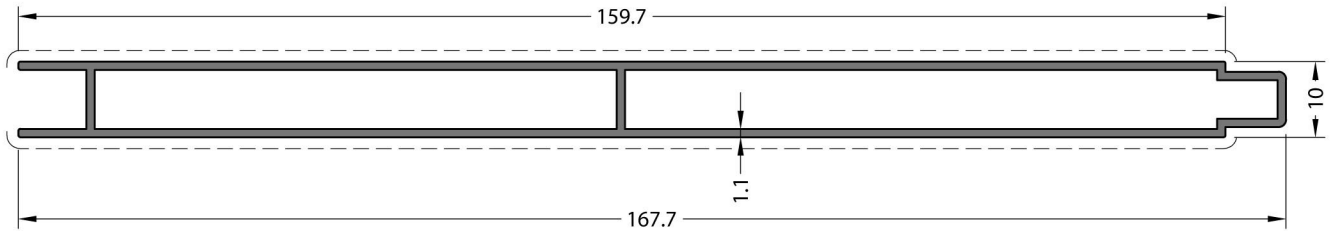
CODE / KOD
07-131-012

THEORETICAL WEIGHT kg/m
TEORİK AĞIRLIK kg/m
0.618



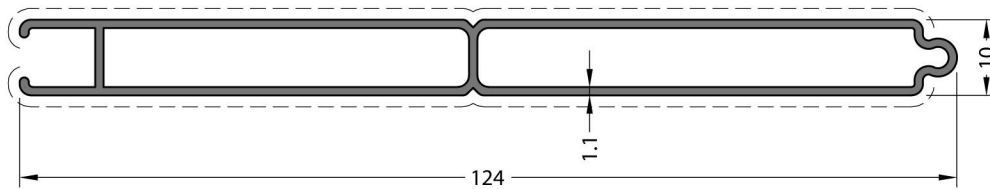
CODE / KOD
07-131-018

THEORETICAL WEIGHT kg/m
TEORİK AĞIRLIK kg/m
0.902



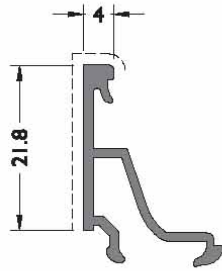
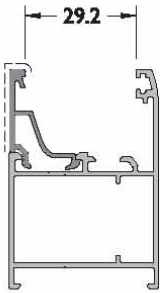
CODE / KOD
07-133-011

THEORETICAL WEIGHT kg/m
TEORİK AĞIRLIK kg/m
1.064



CODE / KOD
07-132-011

THEORETICAL WEIGHT kg/m
TEORİK AĞIRLIK kg/m
0.802

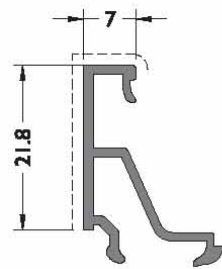
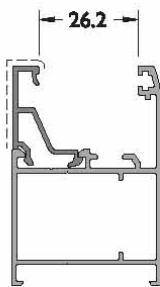


CODE

08-101-00

THEORETICAL WEIGHT kg/m

0.217

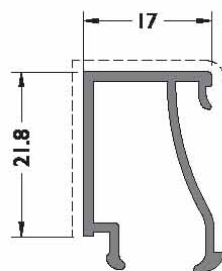
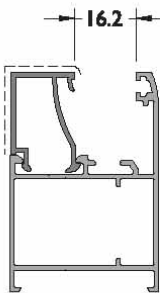


CODE

08-102-00

THEORETICAL WEIGHT kg/m

0.223

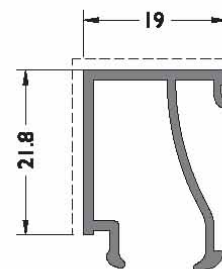
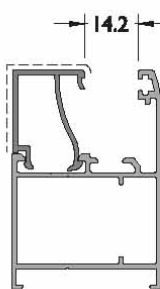


CODE

08-107-00

THEORETICAL WEIGHT kg/m

0.261

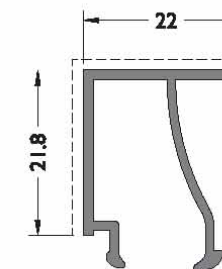
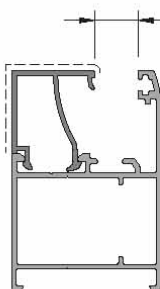


CODE

08-108-00

THEORETICAL WEIGHT kg/m

0.269

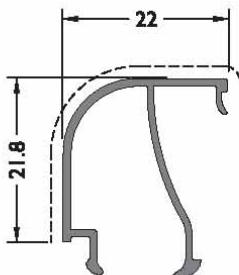
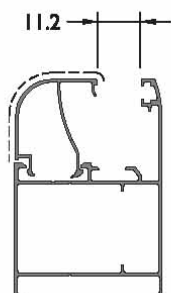


CODE

08-109-00

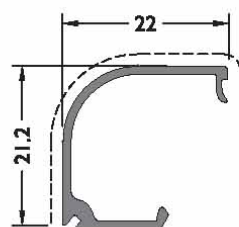
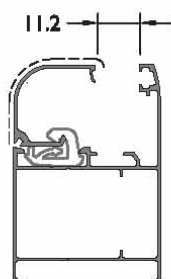
THEORETICAL WEIGHT kg/m

0.279



CODE
08-110-00

THEORETICAL WEIGHT kg/m
0.264



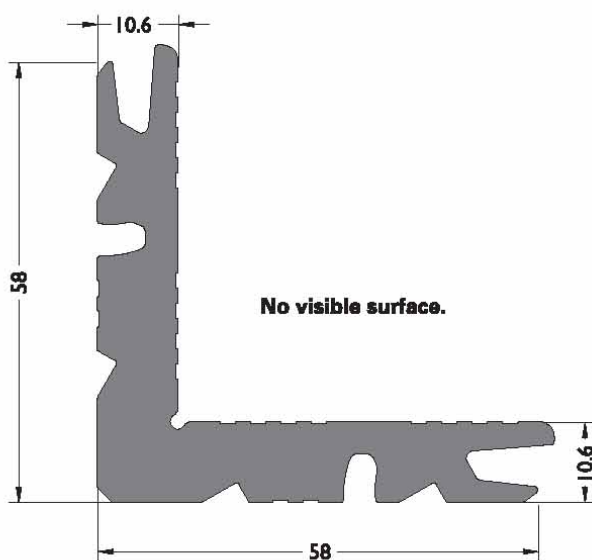
CODE
08-111-00

THEORETICAL WEIGHT kg/m
0.217

PVC ADAPTER

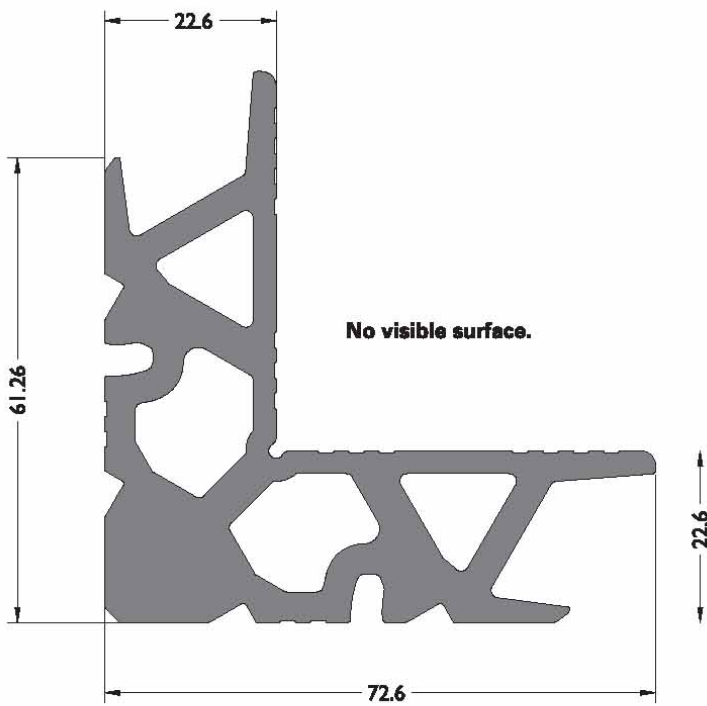


EM08-111



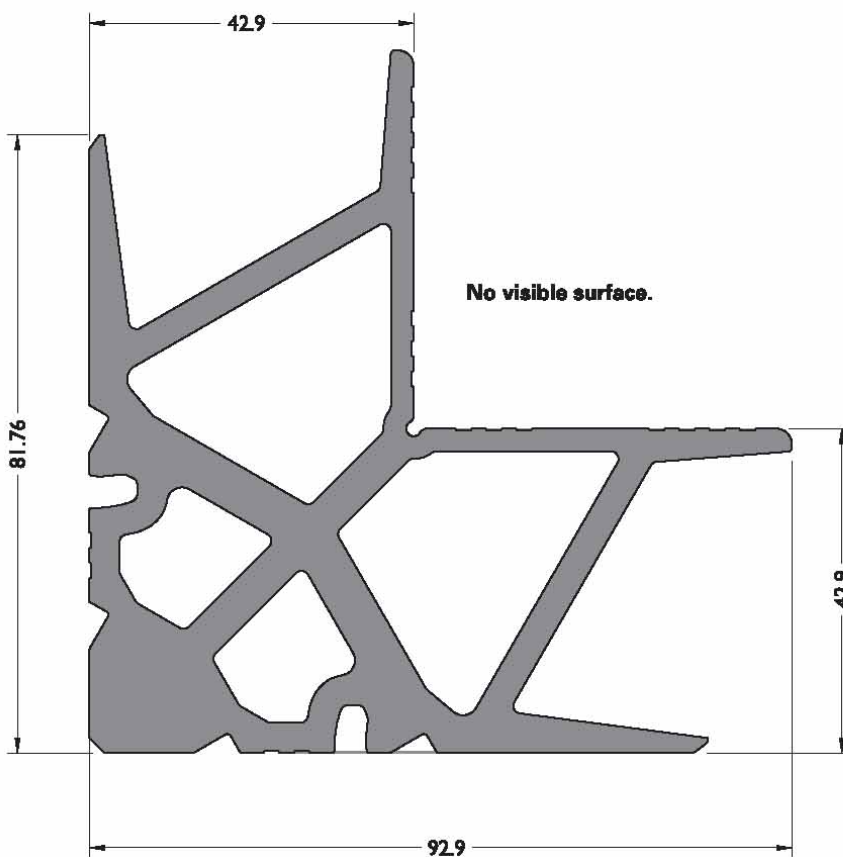
CODE
09-101-00

THEORETICAL WEIGHT kg/m
2.570



CODE
09-103-00

THEORETICAL WEIGHT kg/m
3.702

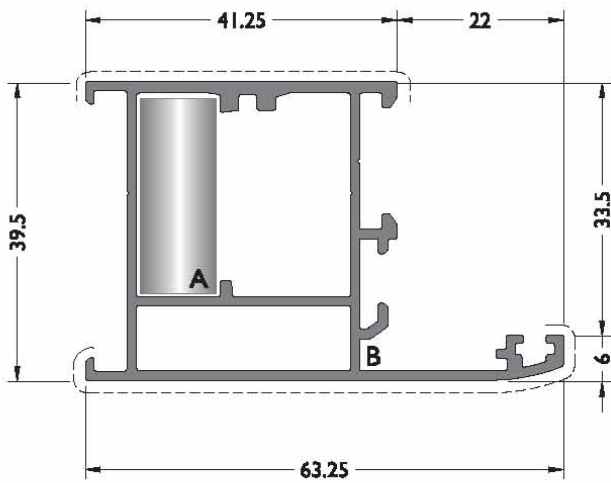


CODE
09-105-00

THEORETICAL WEIGHT kg/m
5.473

Perimetric**profiles**

Perimetric**profiles**



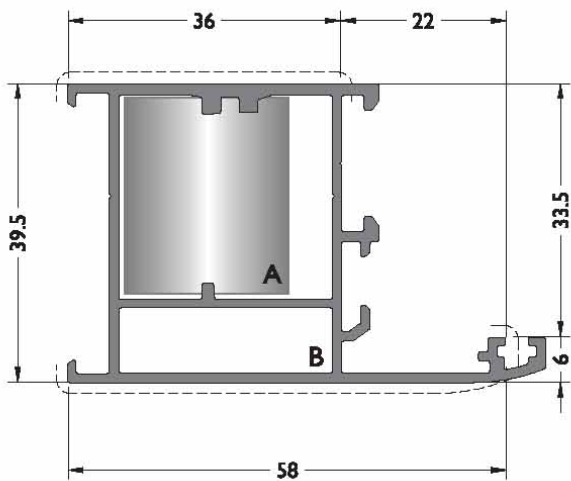
CODE
40C-151-00

THEORETICAL WEIGHT kg/m
0.877

EXTRUDED CORNER JOINT



DIE-CAST CORNER JOINT



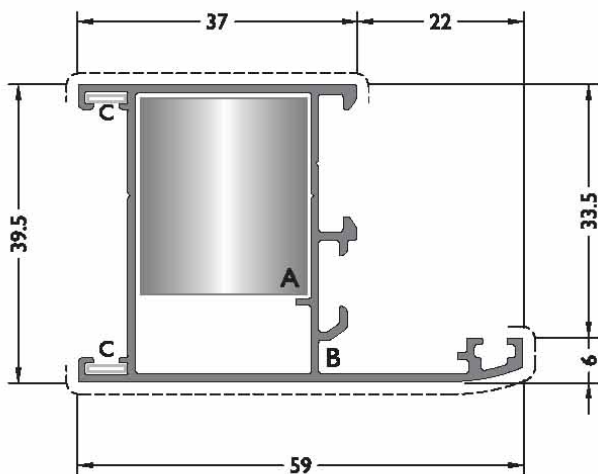
CODE
40C-103-00

THEORETICAL WEIGHT kg/m
0.701

EXTRUDED CORNER JOINT



DIE-CAST CORNER JOINT



CODE
40C-106-00

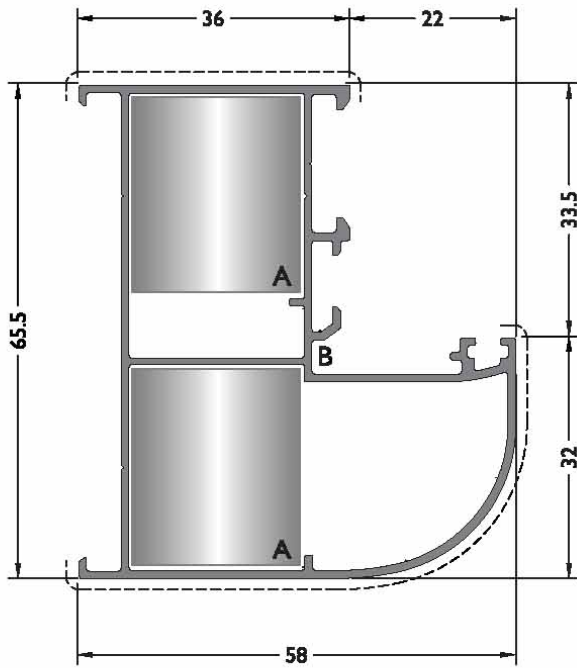
THEORETICAL WEIGHT kg/m
0.723

EXTRUDED CORNER JOINT



DIE-CAST CORNER JOINT





CODE
40C-104-00

THEORETICAL WEIGHT kg/m
1.050

EXTRUDED CORNER JOINT **DIE-CAST CORNER JOINT**



A CC-156-26.5



LC-2327



B FUJI 2000

CODE
40C-251-00

THEORETICAL WEIGHT kg/m
0.927

EXTRUDED CORNER JOINT **DIE-CAST CORNER JOINT**



A CC-102-26.5



LC-1327



B FUJI 2000



C MO 20

CODE
40C-252-00

THEORETICAL WEIGHT kg/m
0.996

EXTRUDED CORNER JOINT **DIE-CAST CORNER JOINT**



A CC-156-26.5



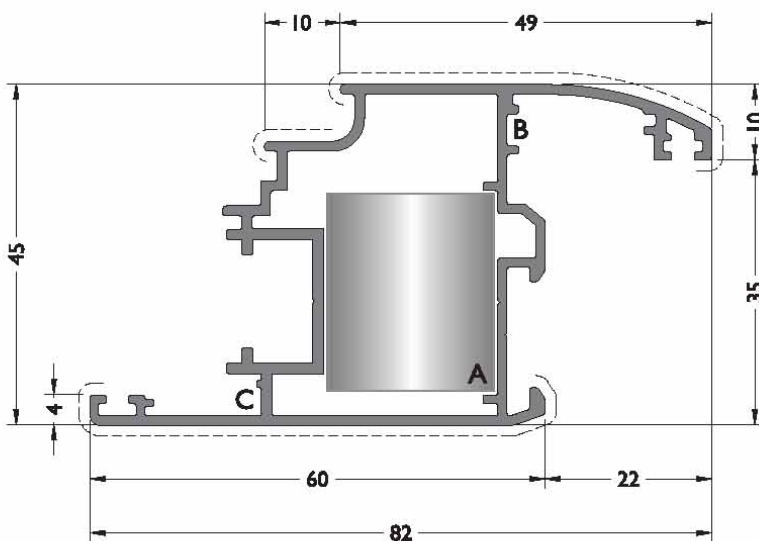
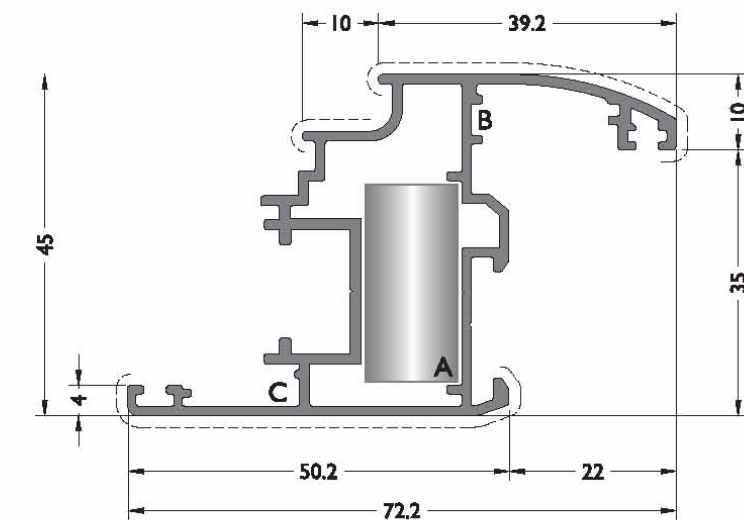
LC-2327

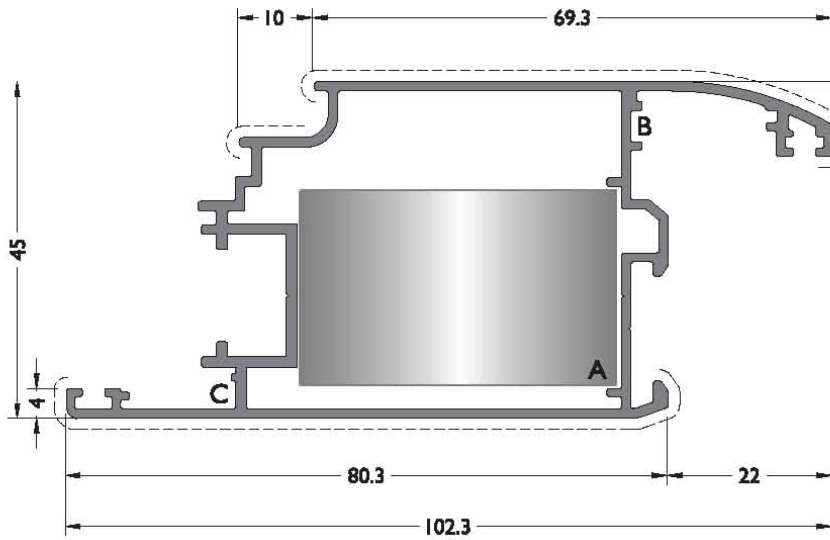


B FUJI 2000



C MO 20





CODE
40C-253-00

THEORETICAL WEIGHT kg/m
1.141

EXTRUDED CORNER JOINT



A CC-105-26.5



B FUJI 2000

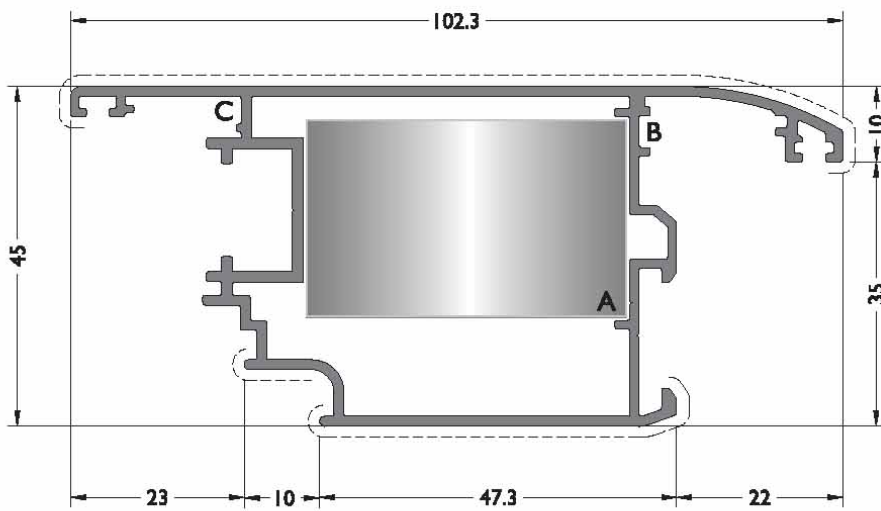


C MO 20

DIE-CAST CORNER JOINT



LC-4327



CODE
40C-254-00

THEORETICAL WEIGHT kg/m
1.141

EXTRUDED CORNER JOINT



A CC-105-26.5



B FUJI 2000

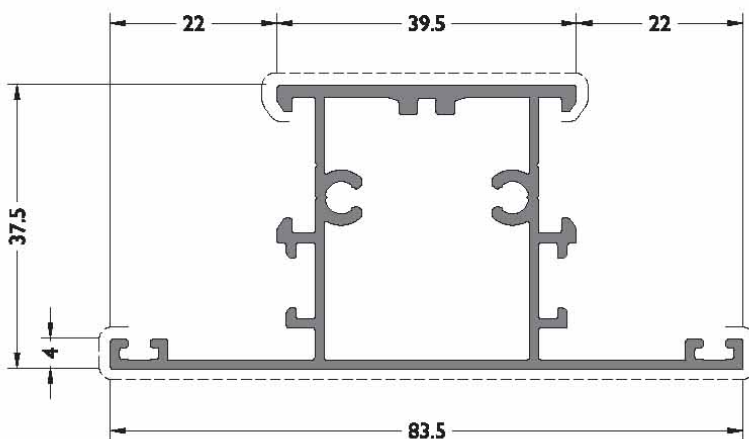


C MO 20

DIE-CAST CORNER JOINT

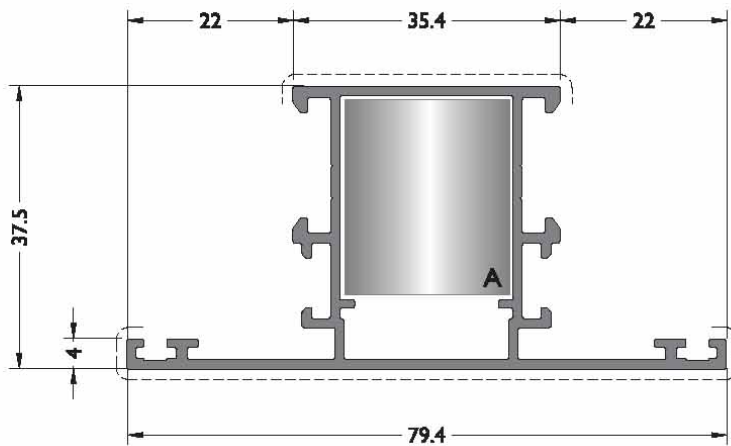


LC-4327



CODE
40C-351-00

THEORETICAL WEIGHT kg/m
0.973



CODE
40C-302-00

THEORETICAL WEIGHT kg/m
0.831

EXTRUDED CORNER JOINT



A CC-156-26.5

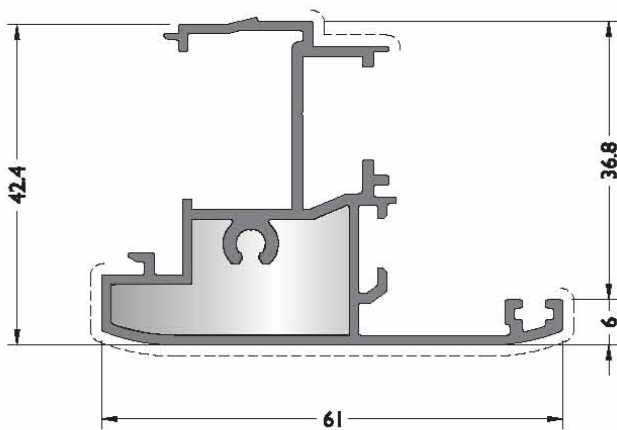


B FUJI 2000

DIE-CAST CORNER JOINT



LC-2327



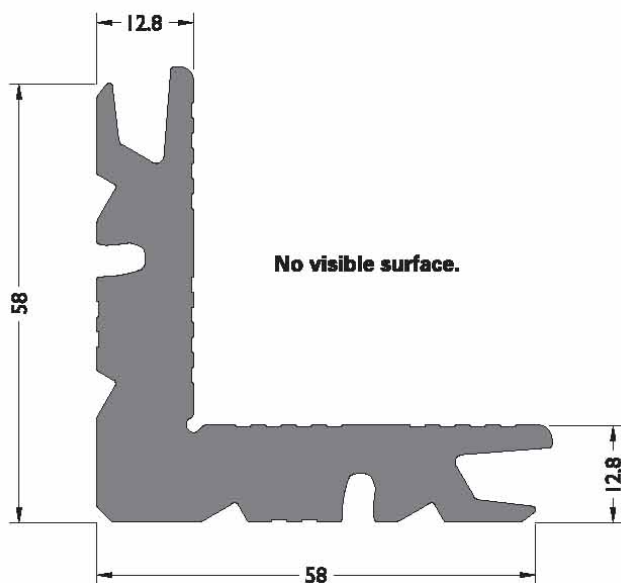
CODE
40C-551-00

THEORETICAL WEIGHT kg/m
0.852

ADAPTER CUP

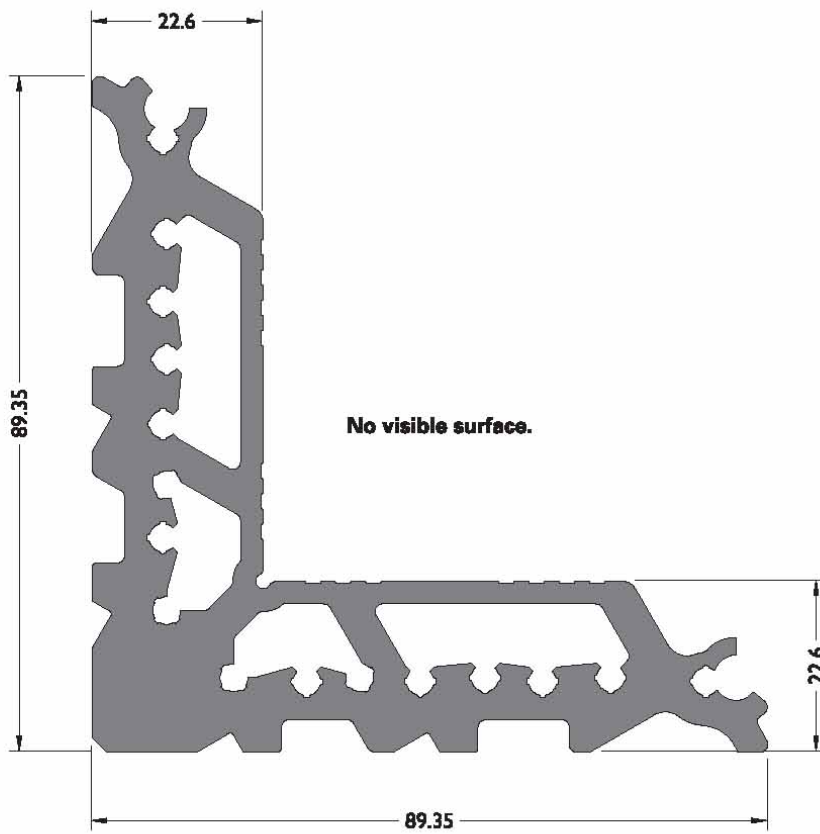


EM40-551



CODE
09-102-00

THEORETICAL WEIGHT kg/m
2.995

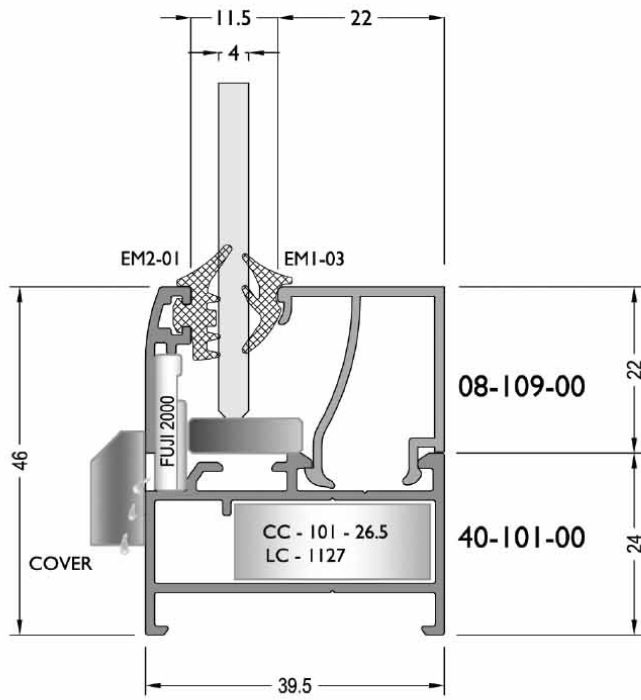
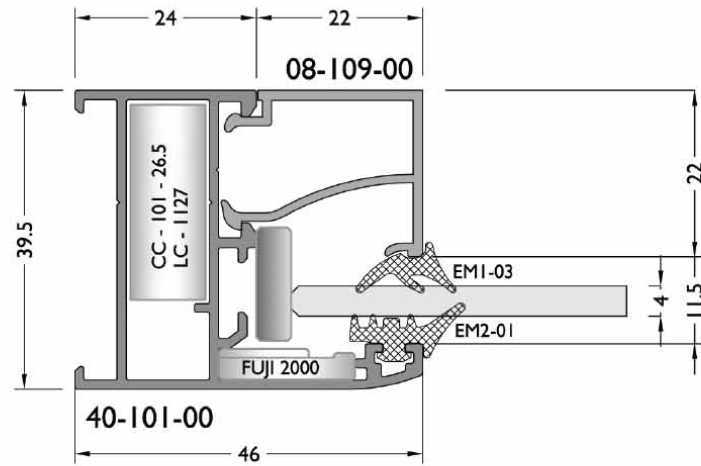
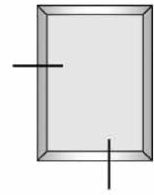


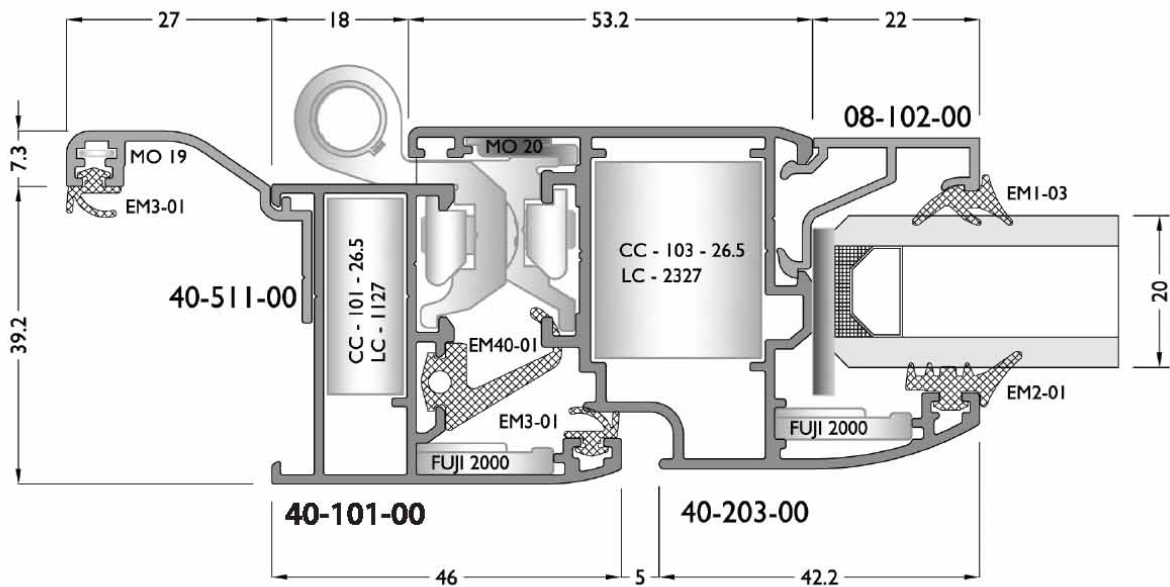
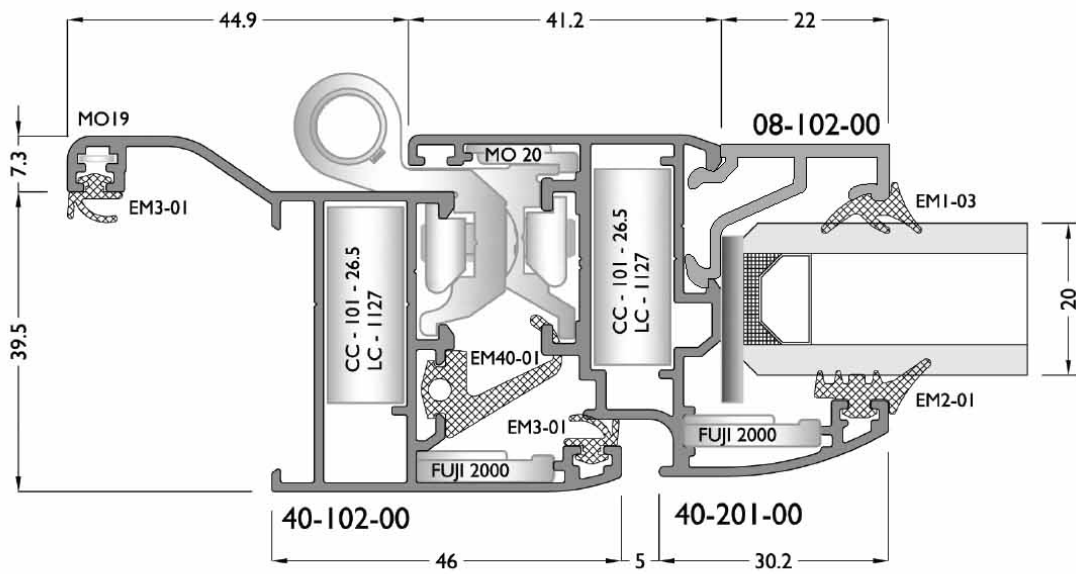
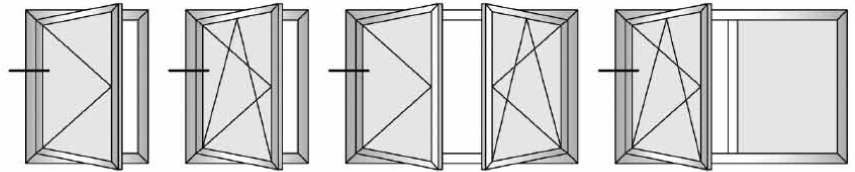
CODE
09-156-00

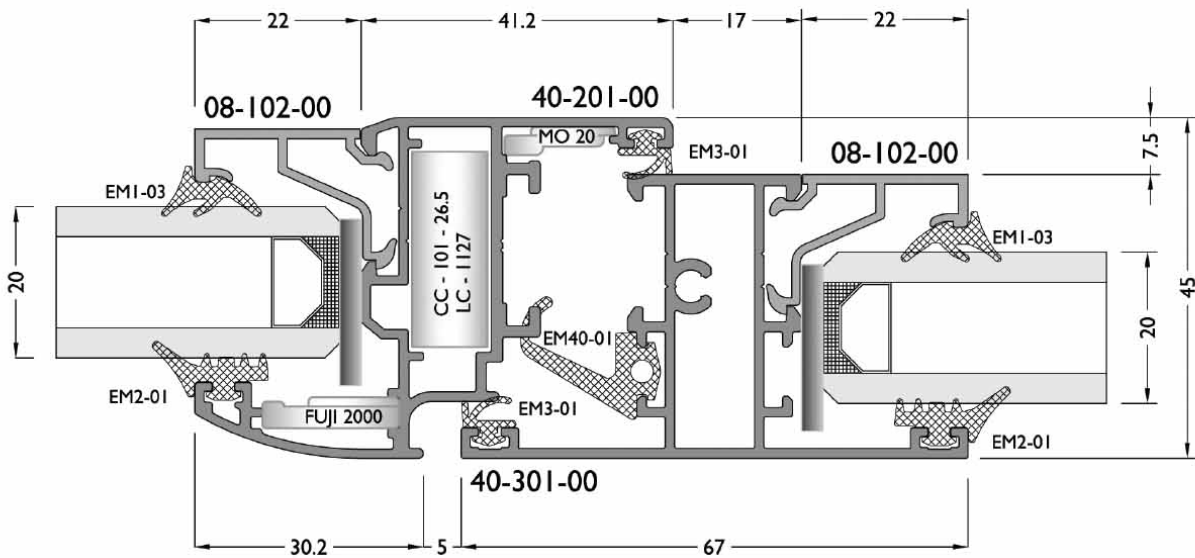
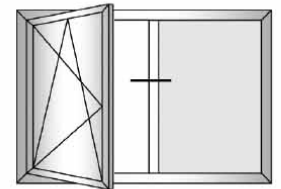
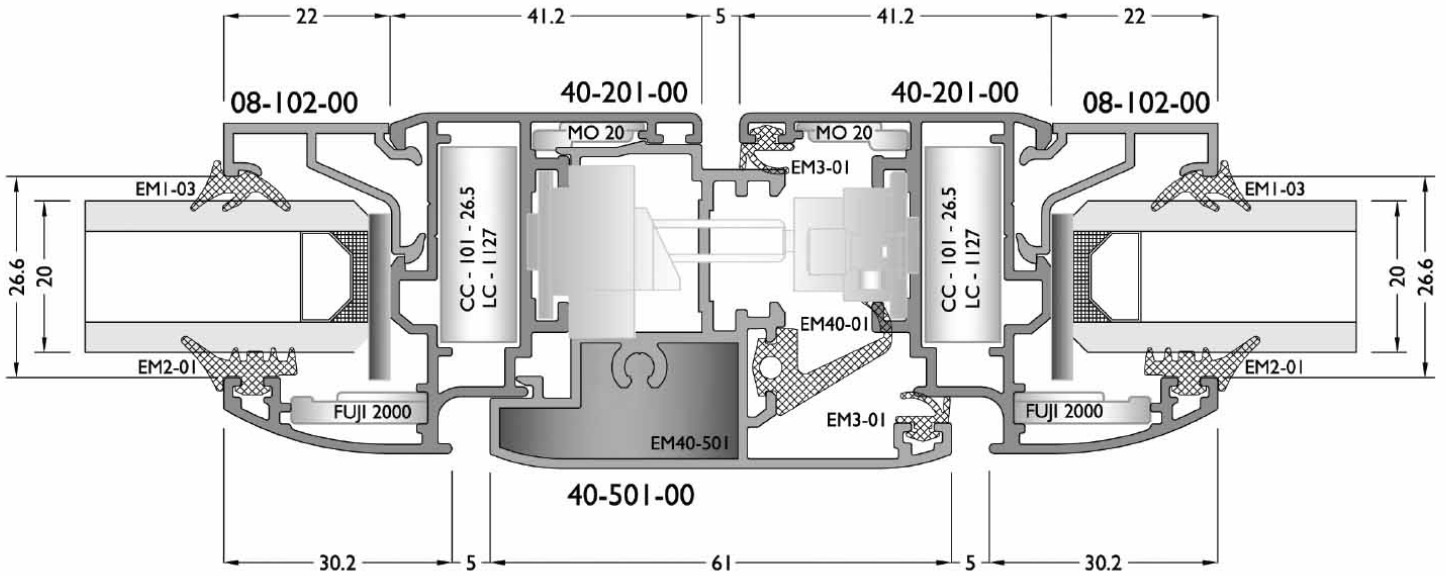
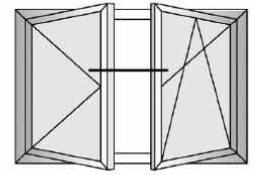
THEORETICAL WEIGHT kg/m
5.101

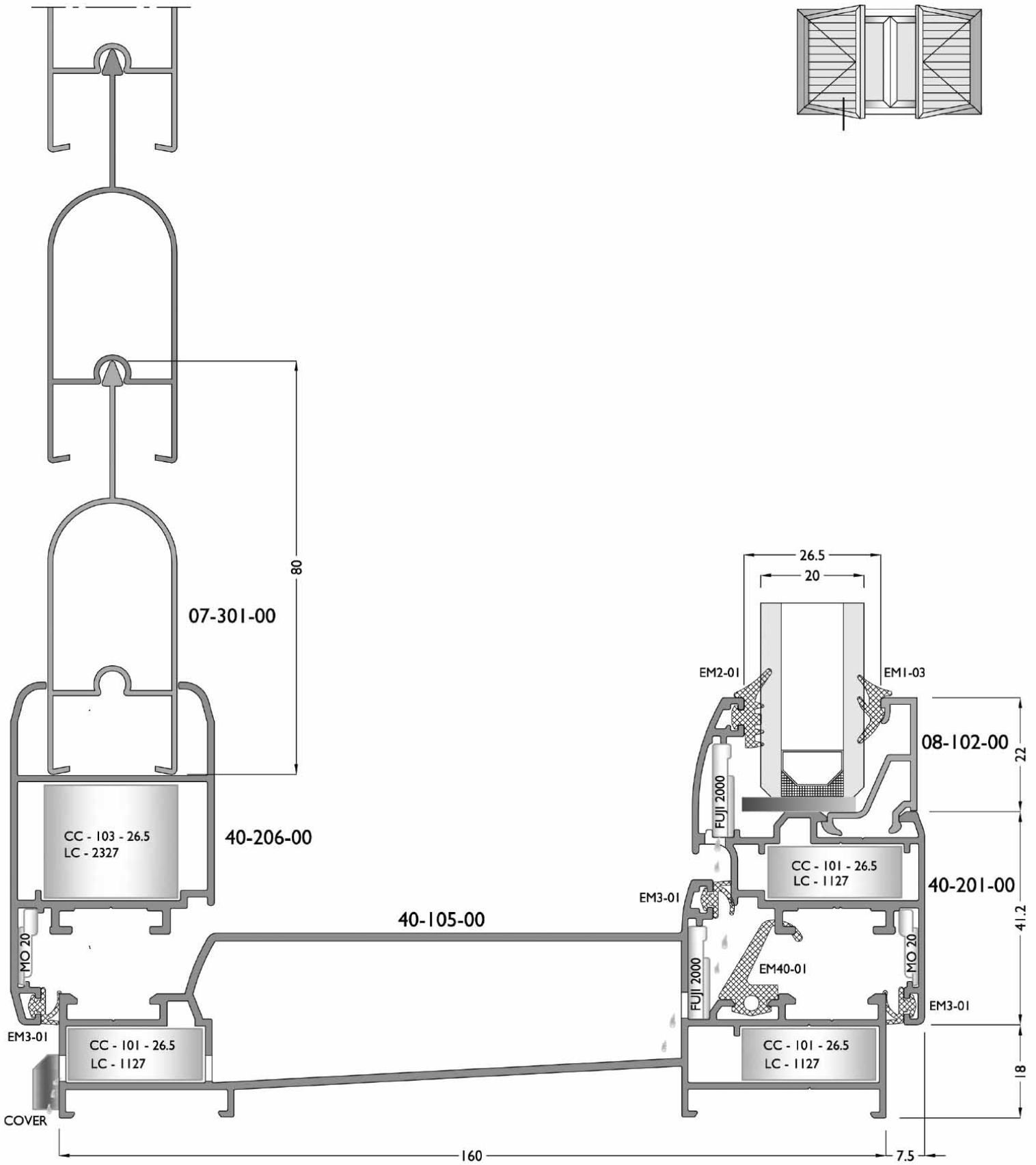
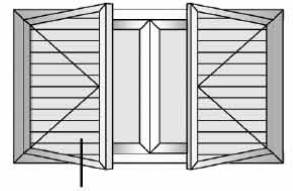
Aluminium**details**

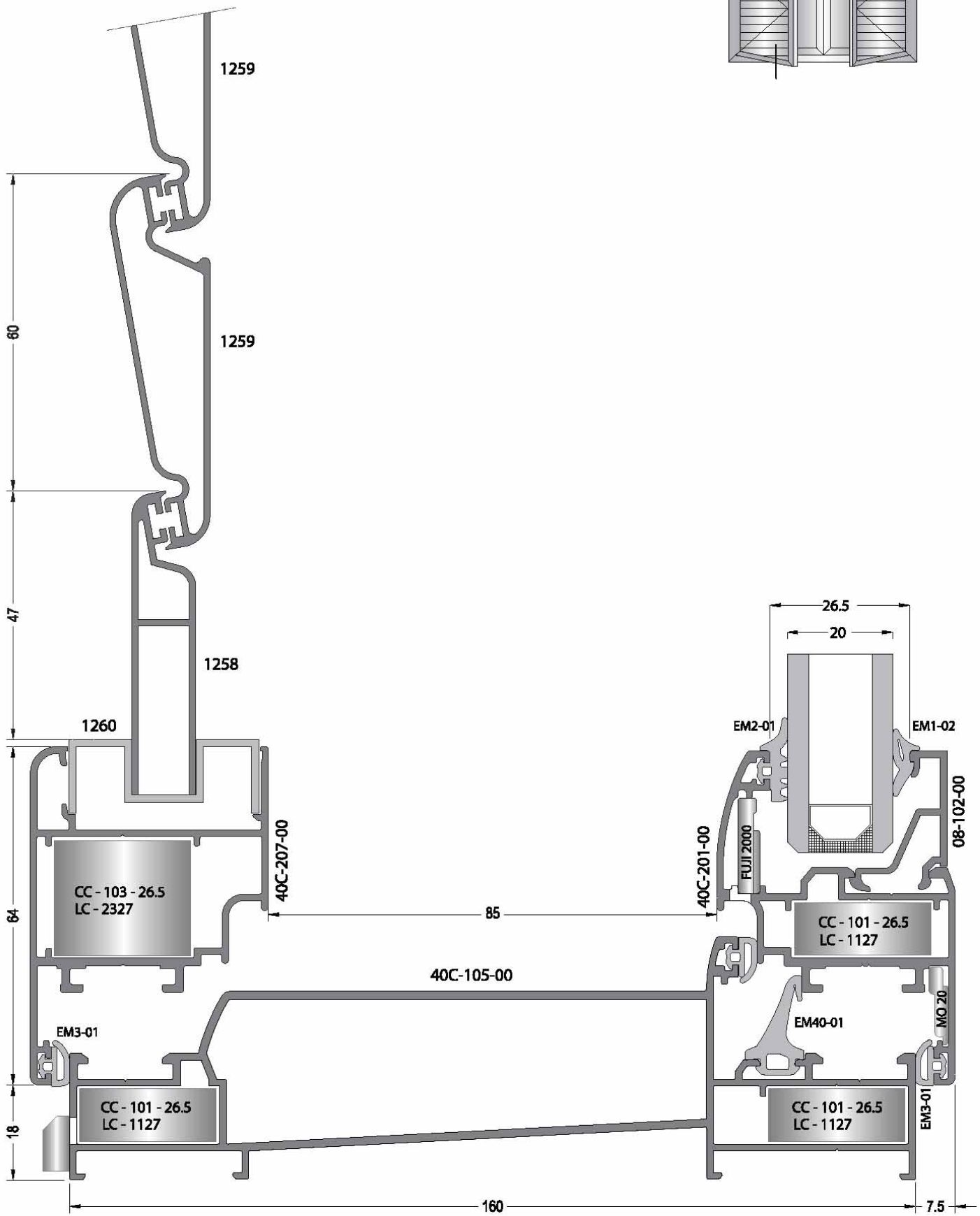
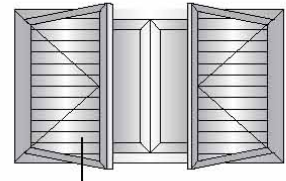
Aluminium**details**

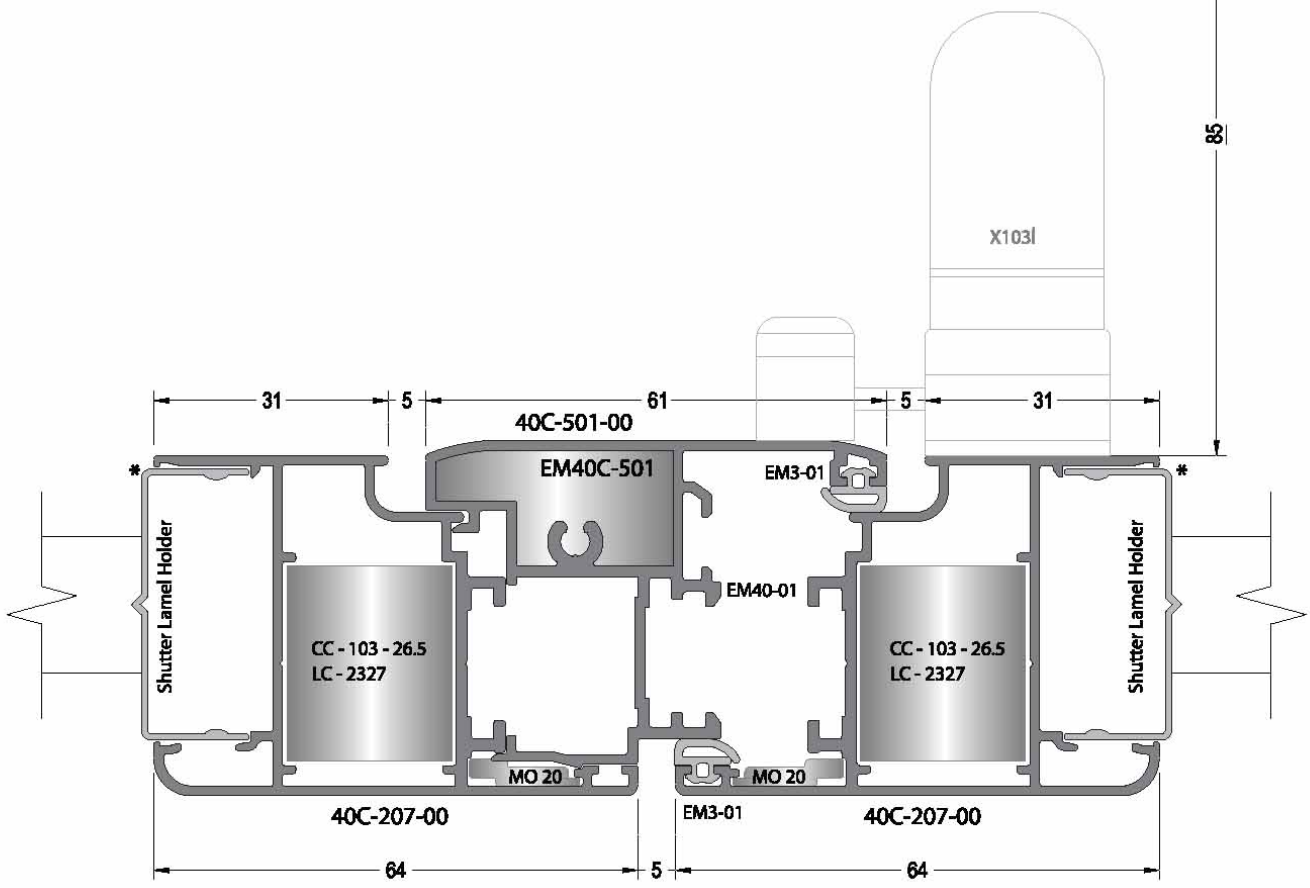
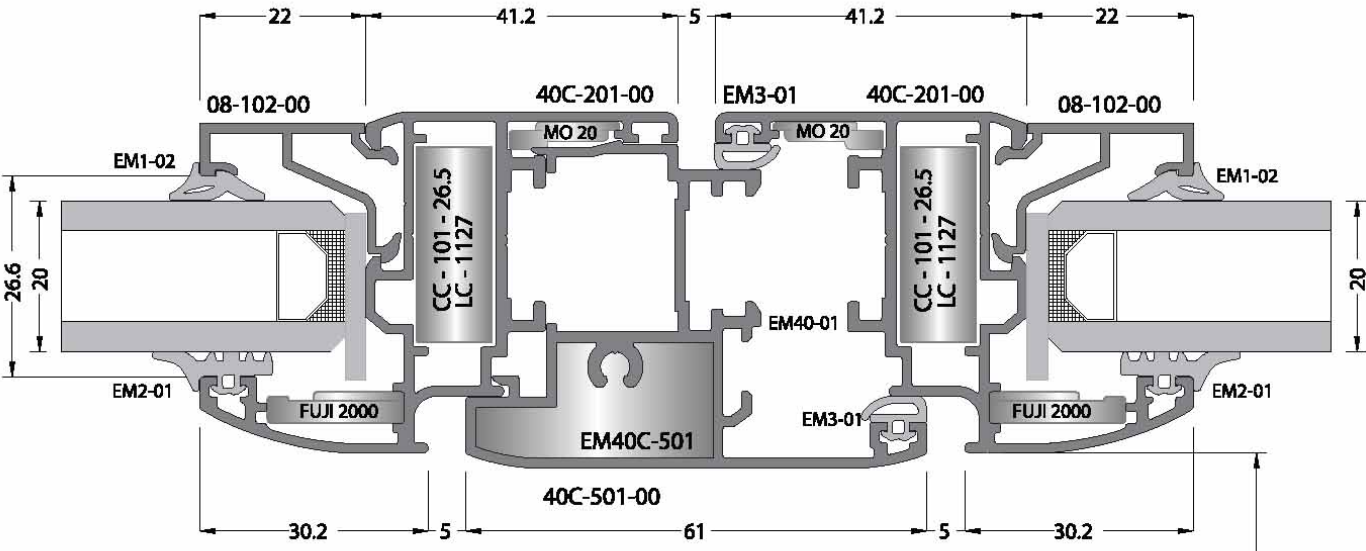
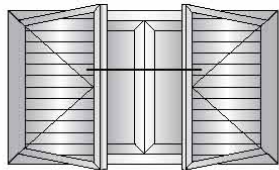




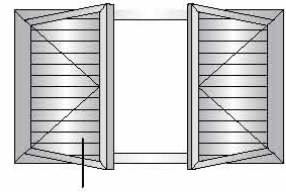
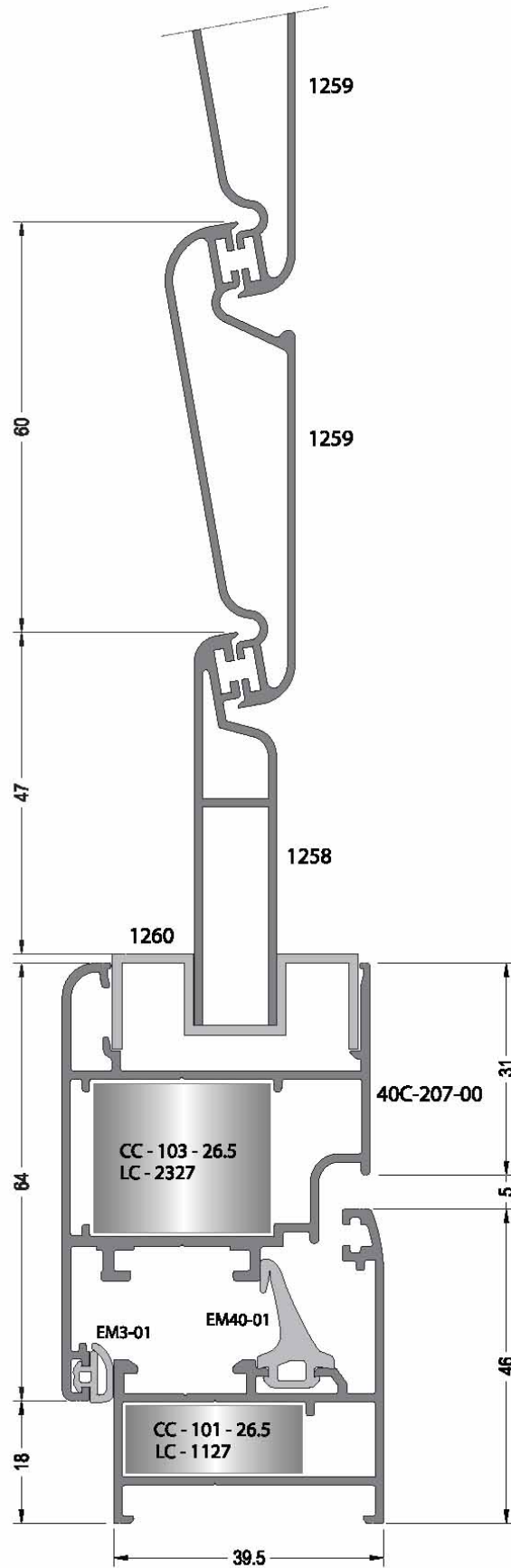


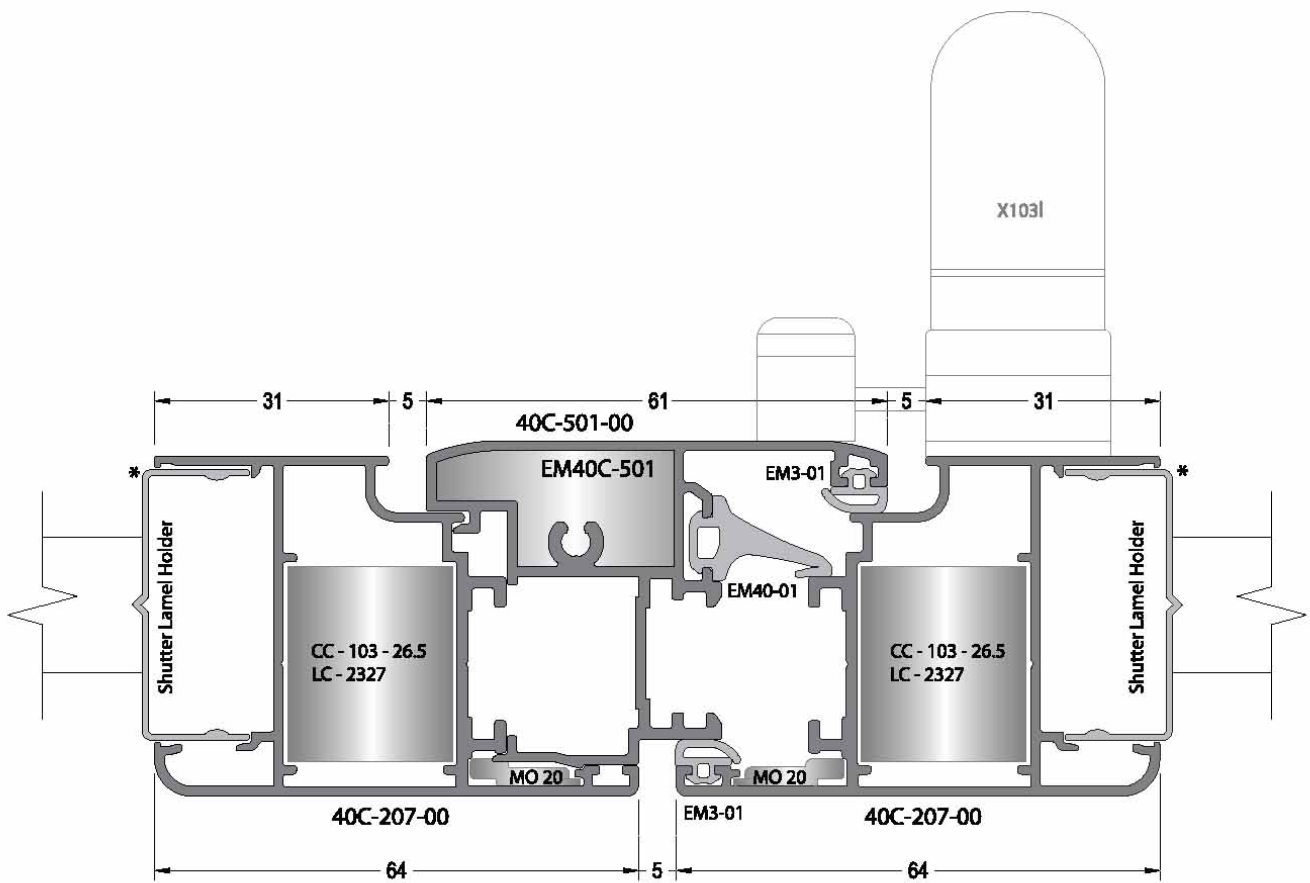
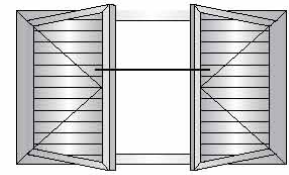




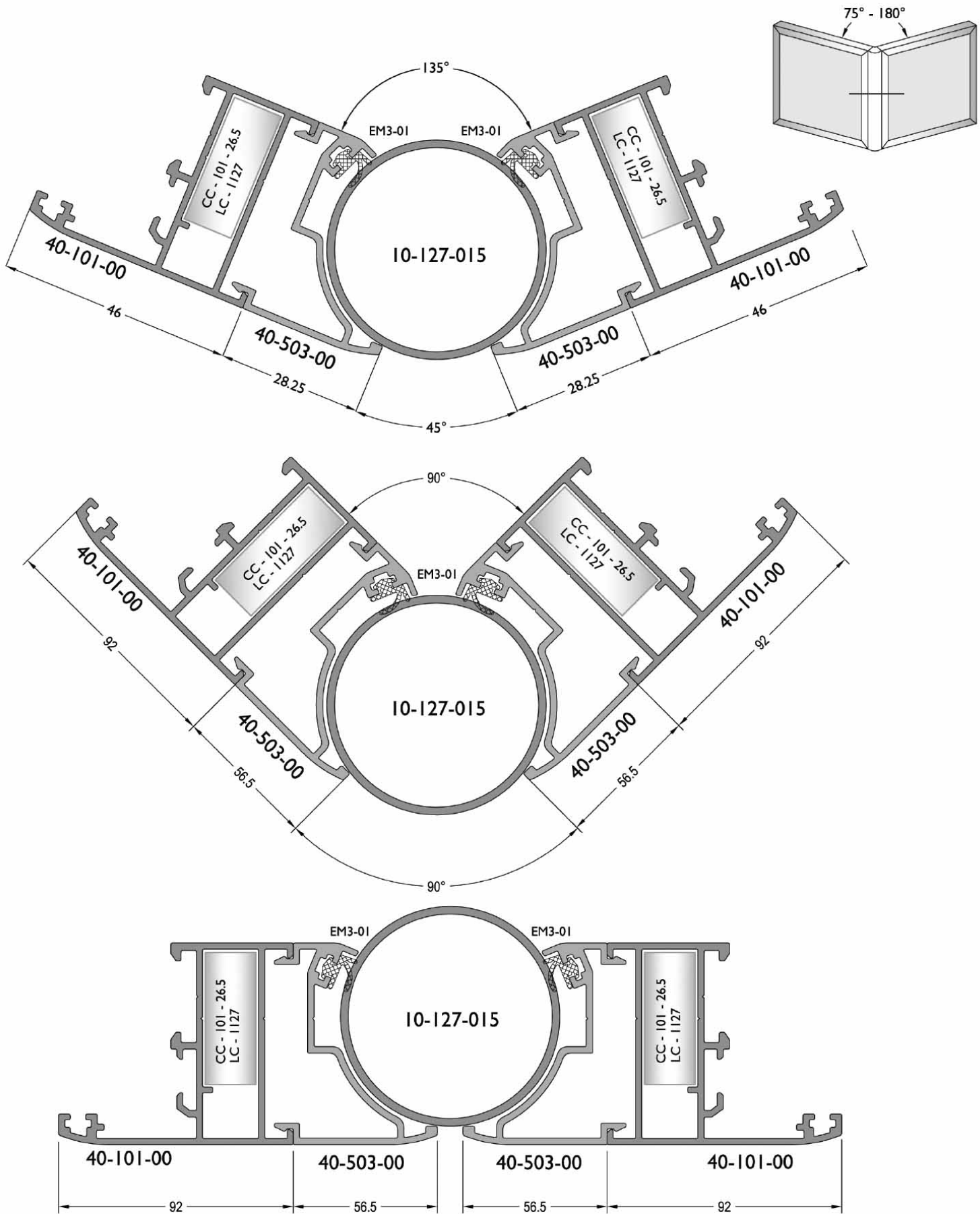


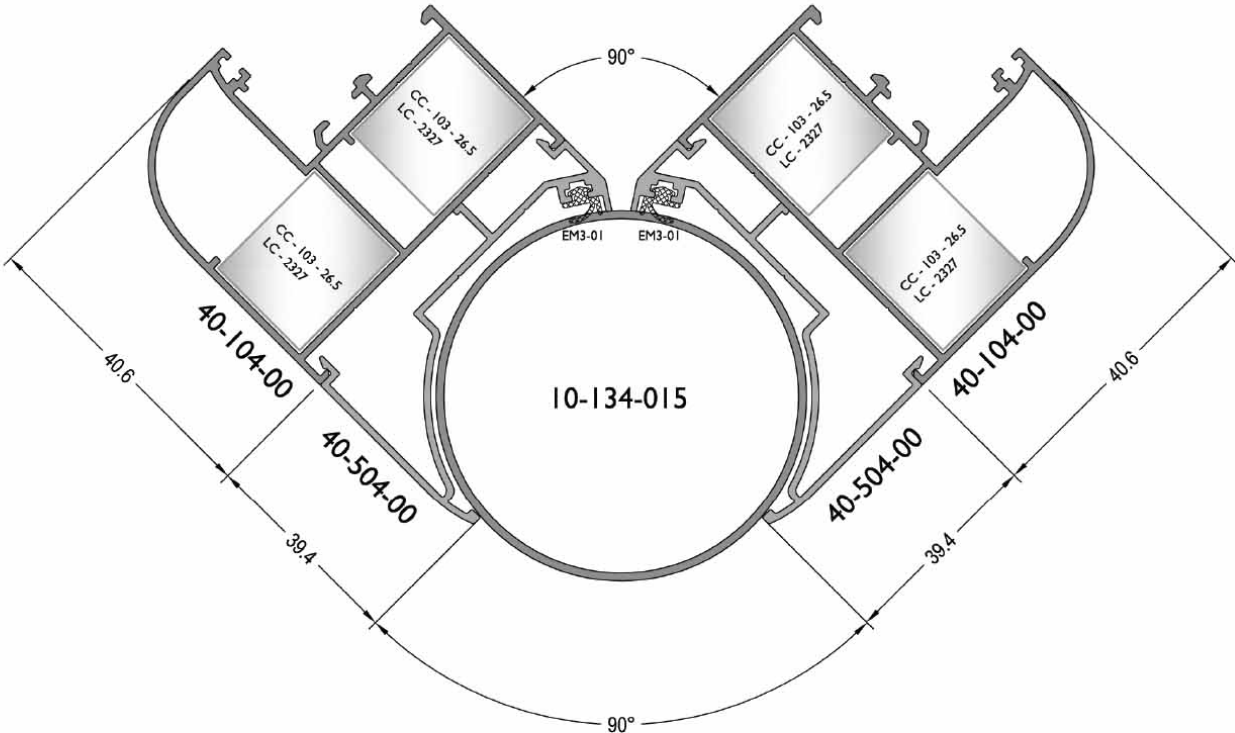
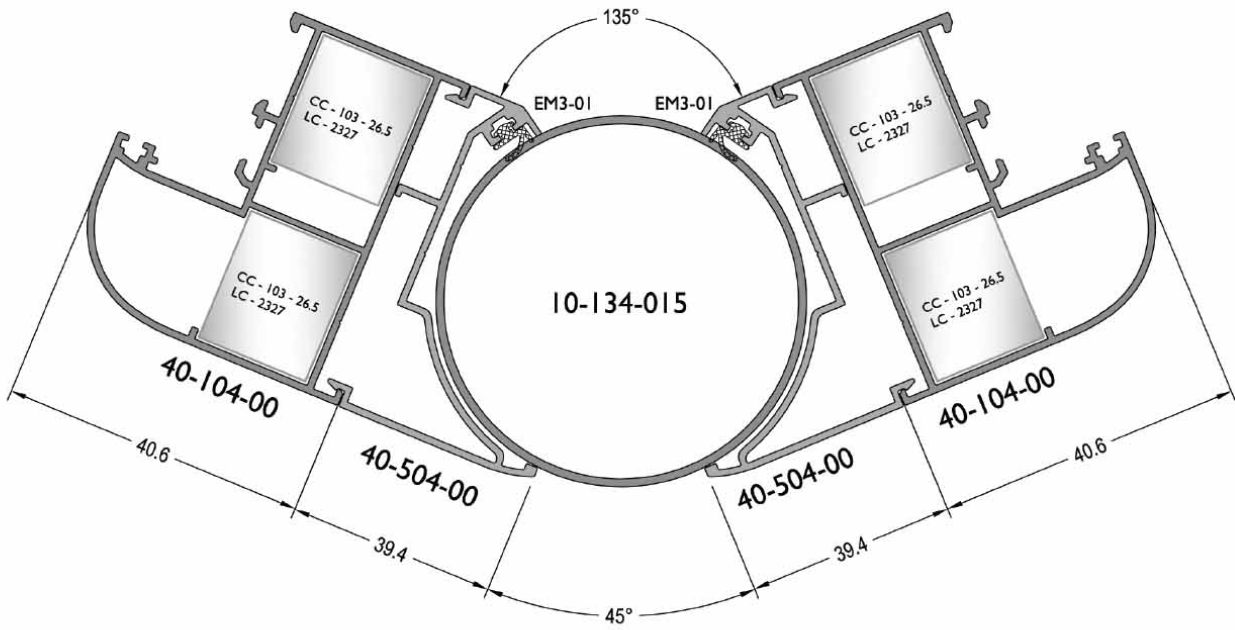
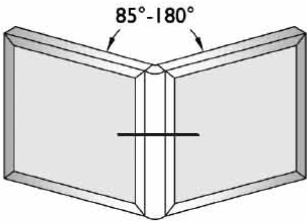
* Shutter Lamel Holder: Please contact with sales department.

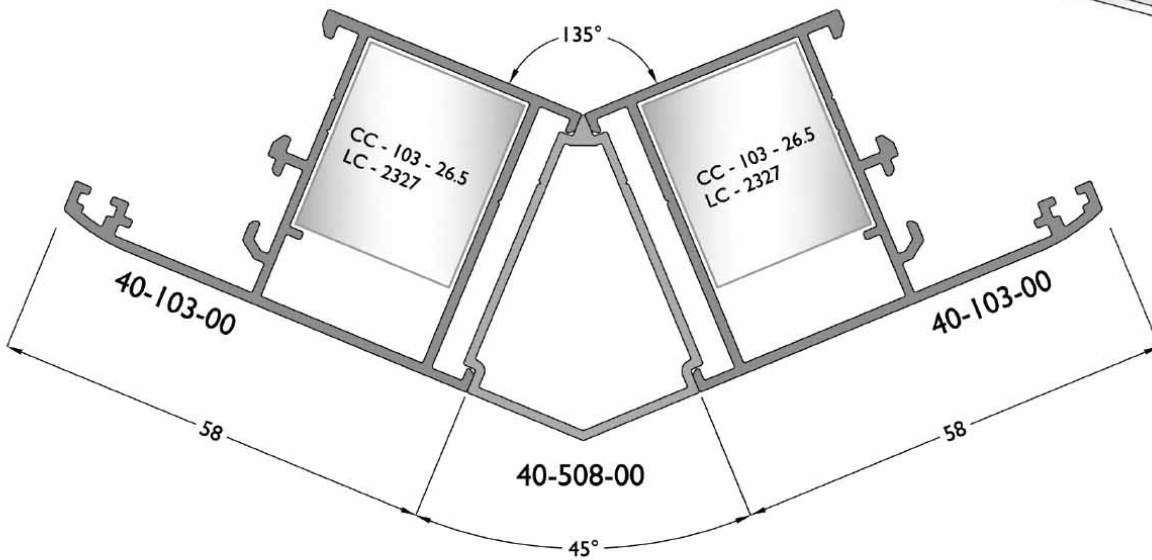
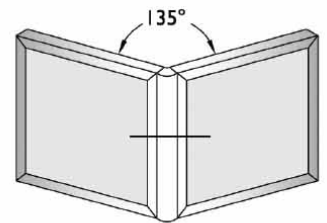
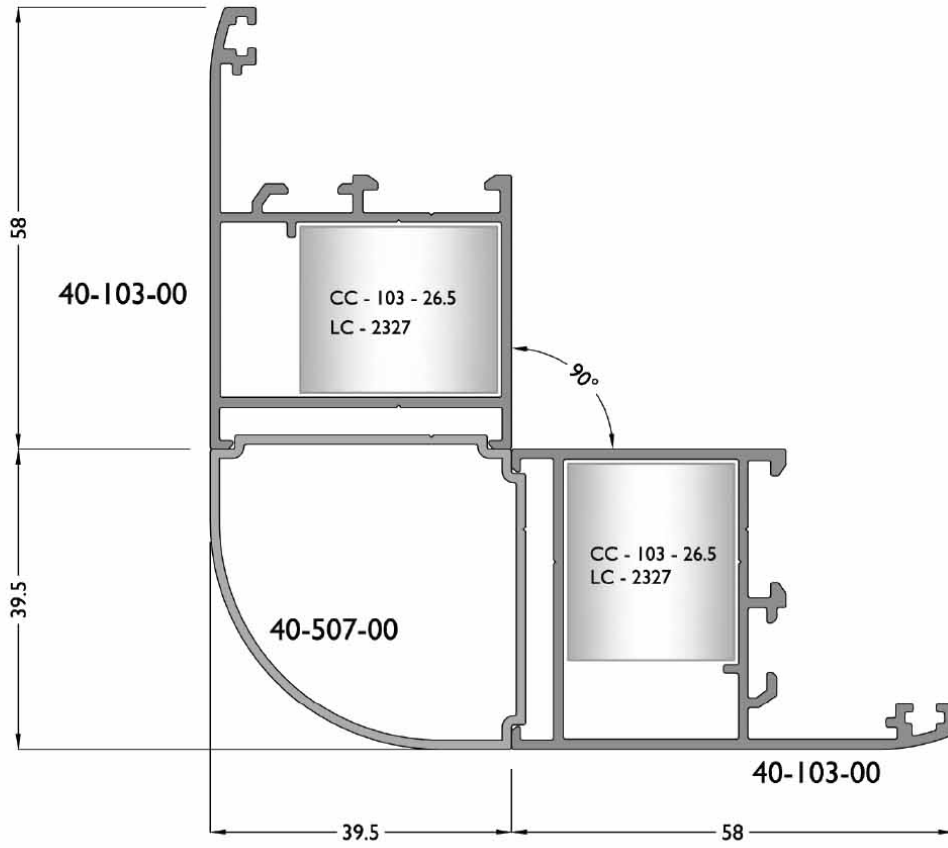
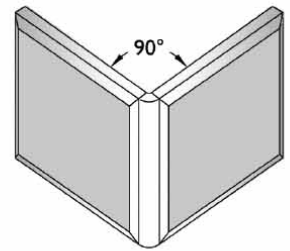


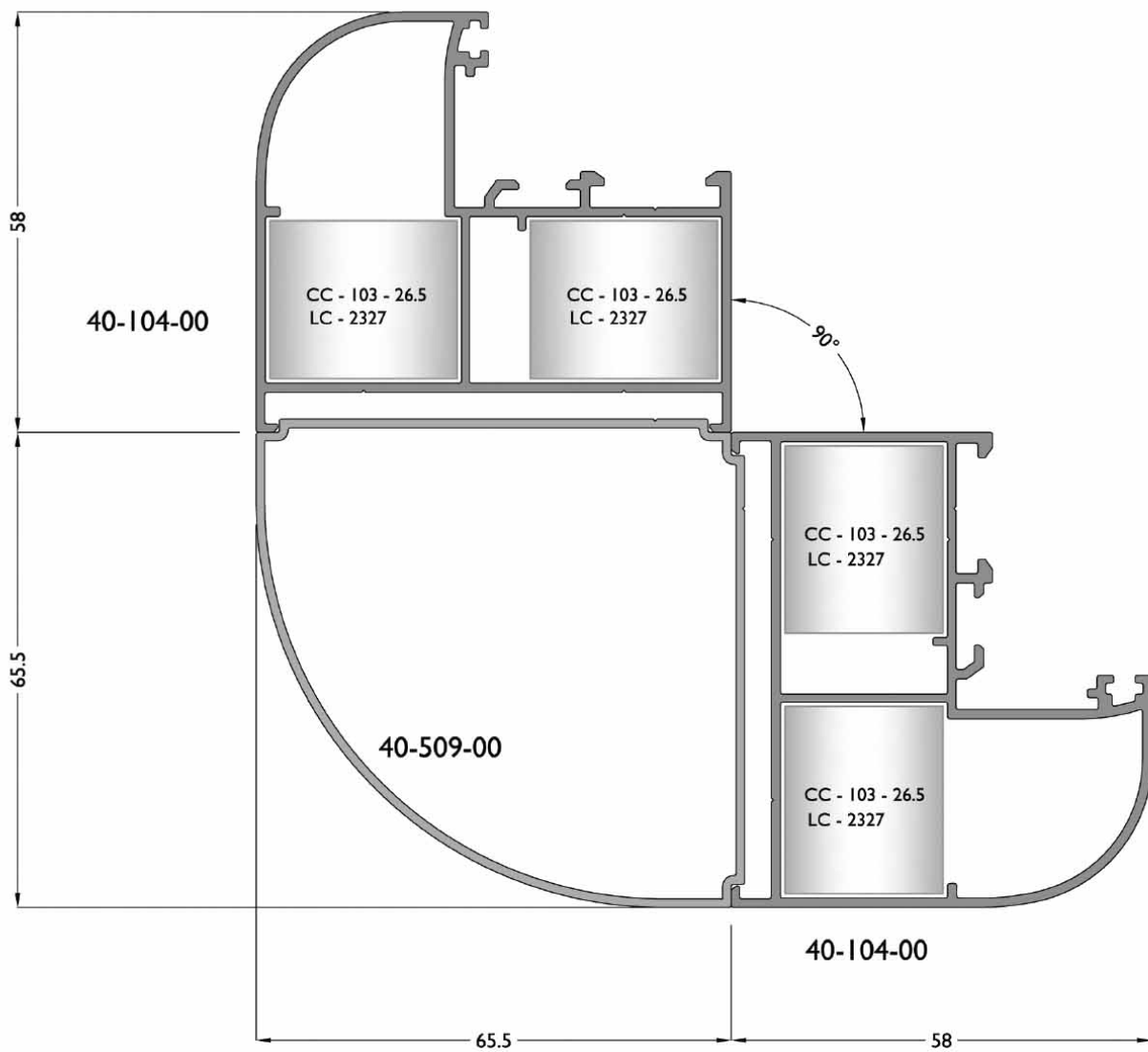
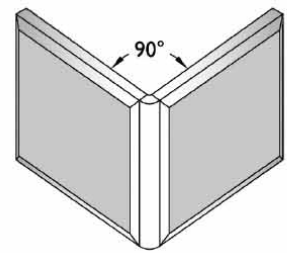


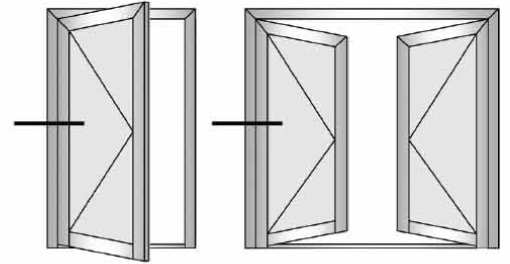
* Shutter Lamel Holder: Please contact with sales department.



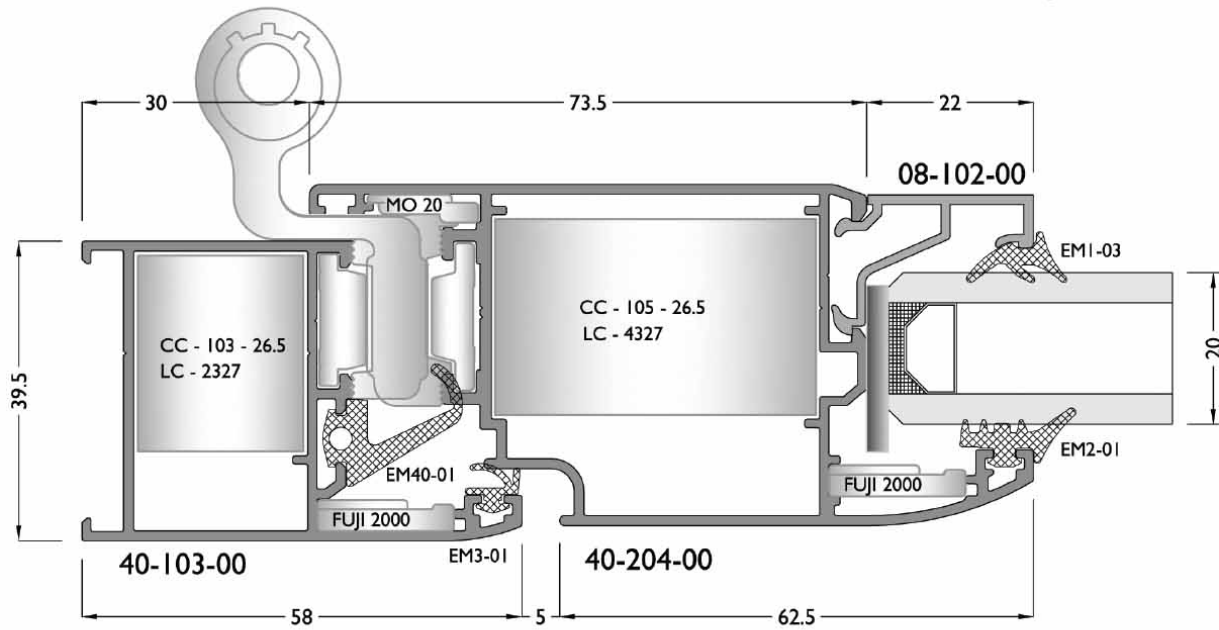




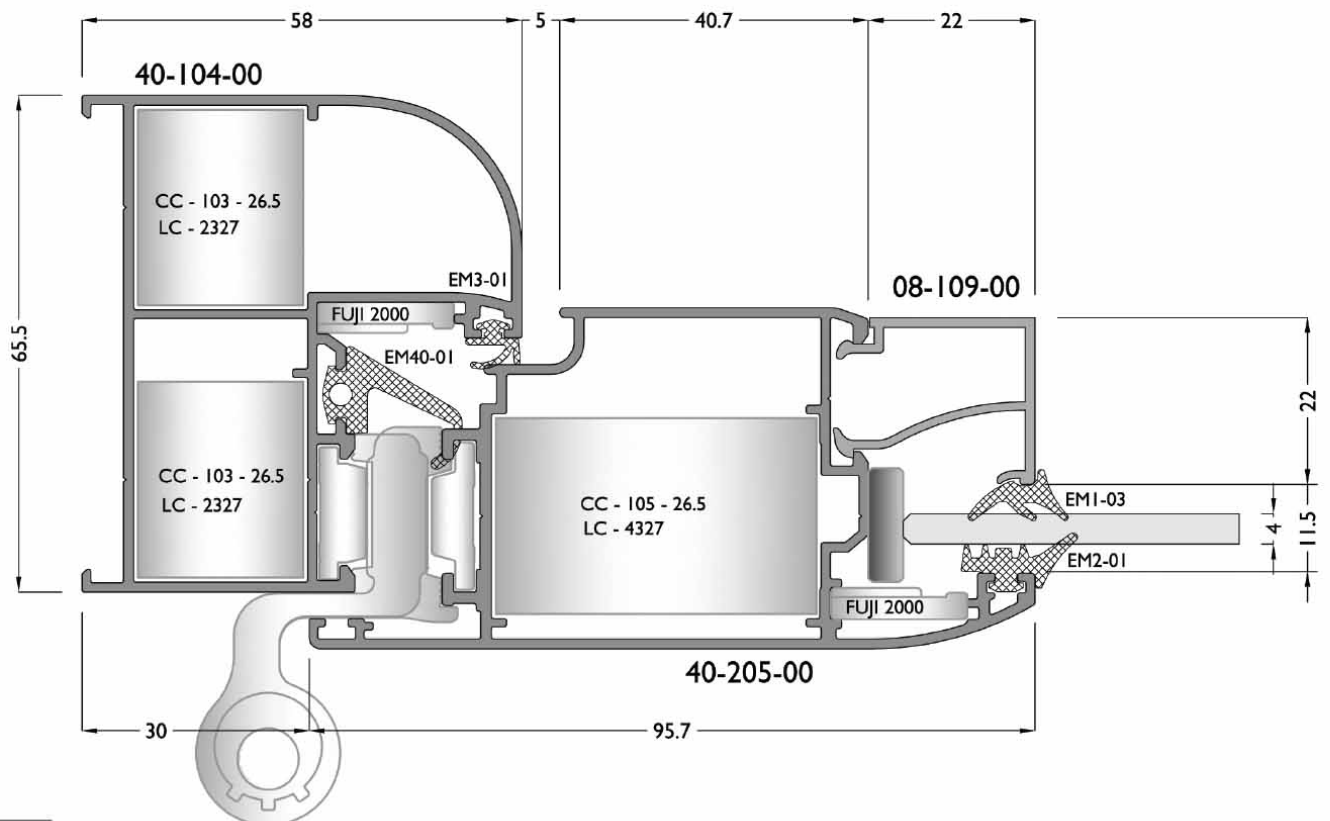


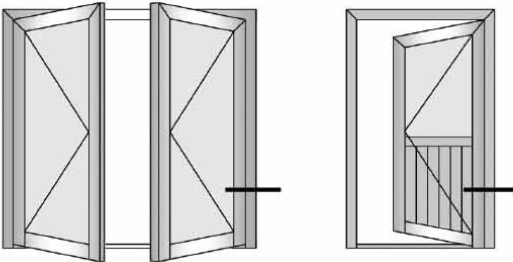


Inside Opening Door

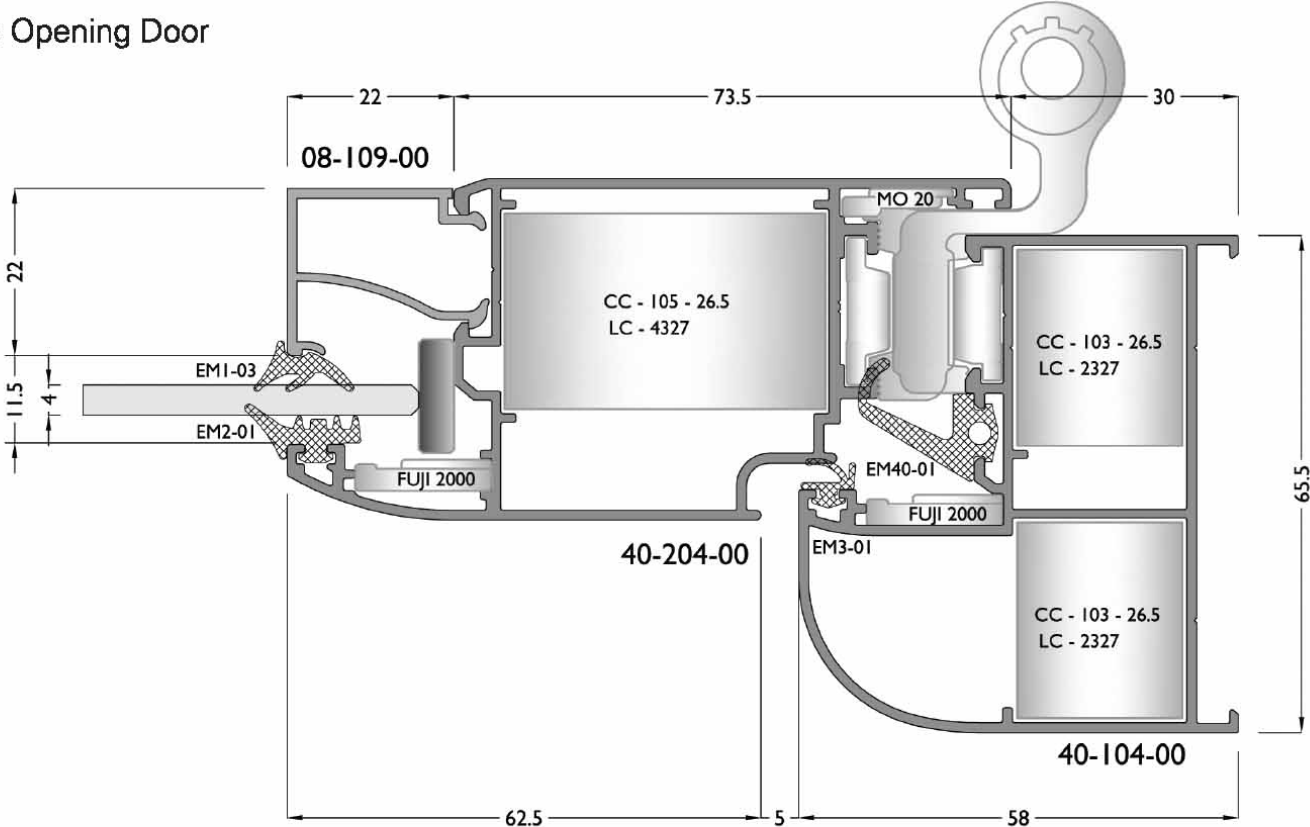


Outside Opening Door

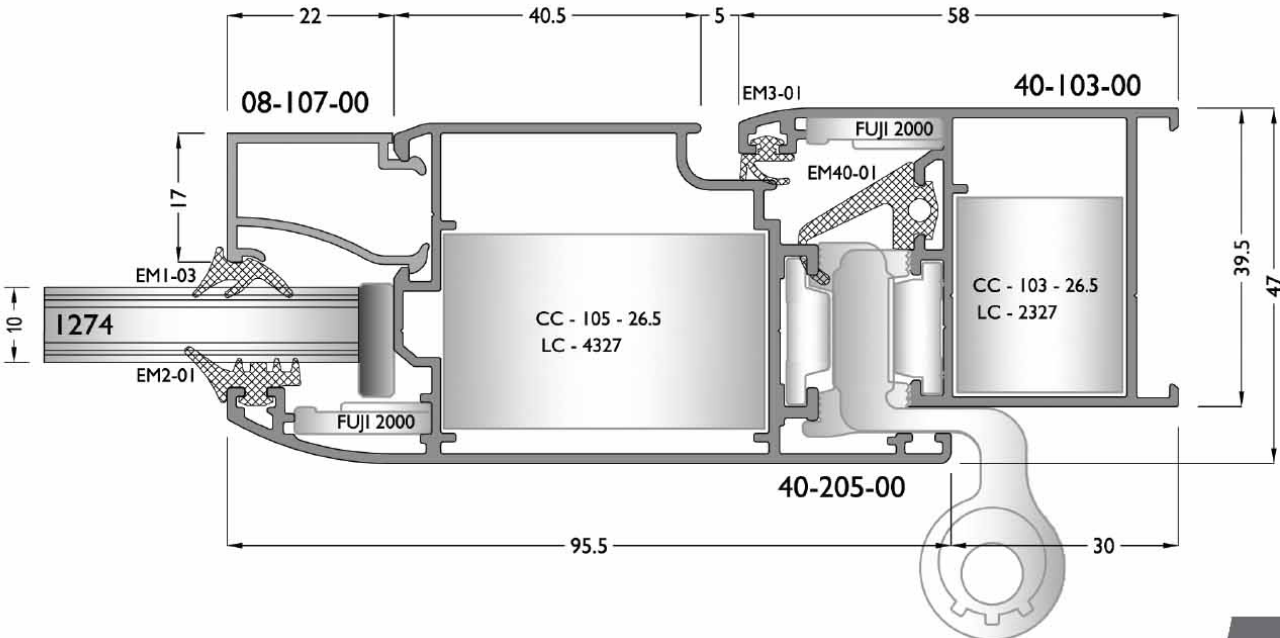


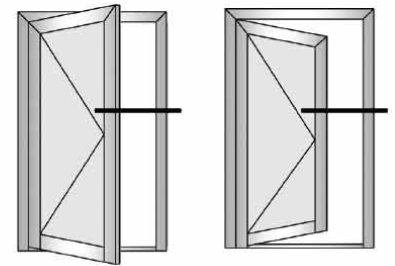


Inside Opening Door

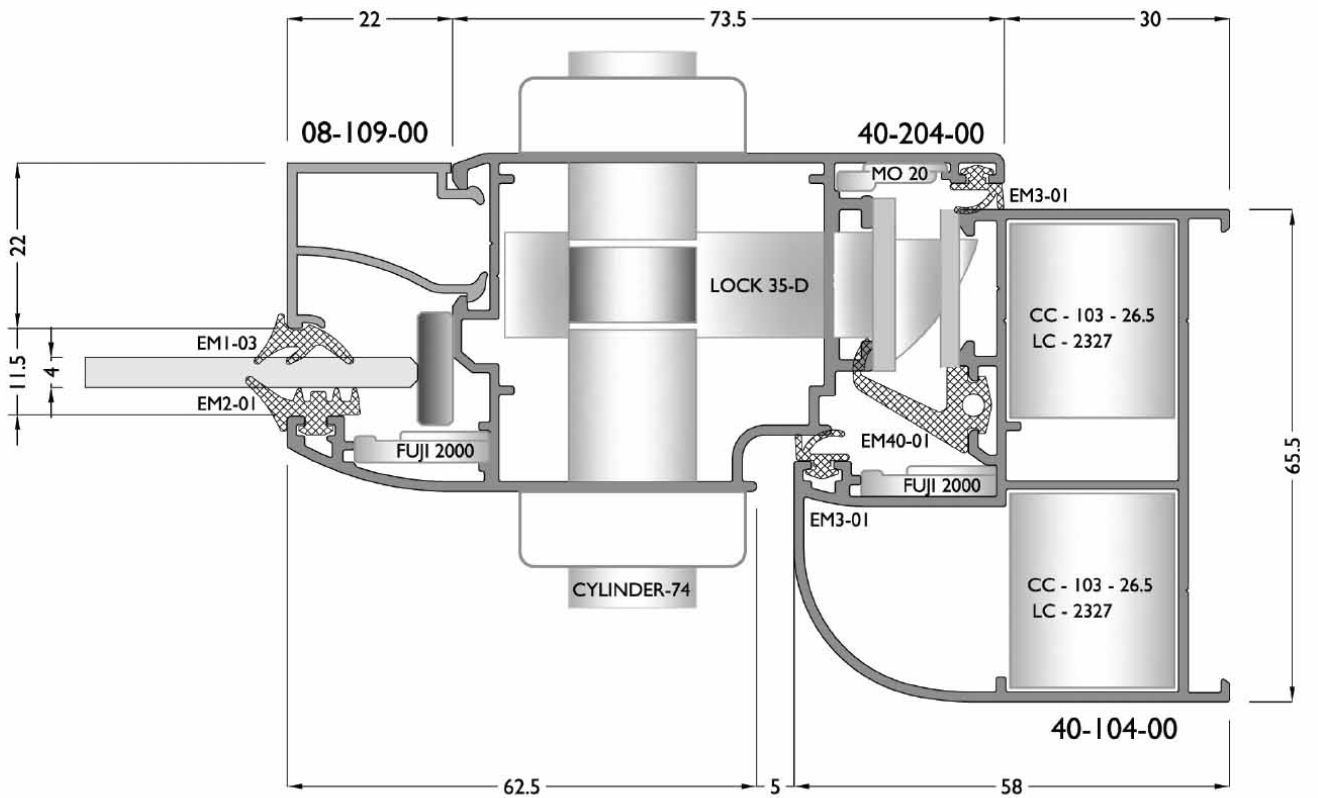


Outside Opening Door

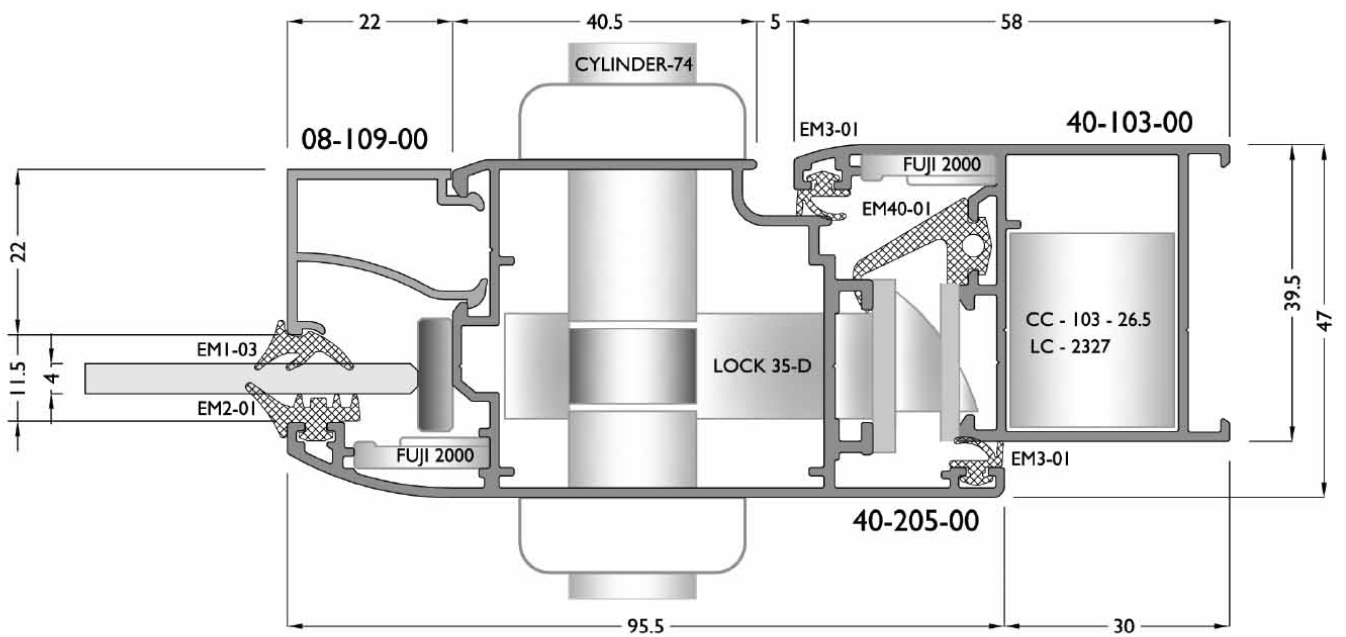




Inside Opening Door

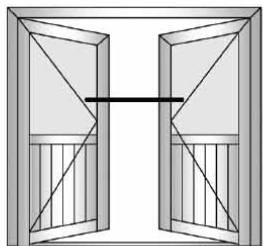
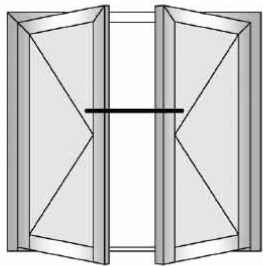
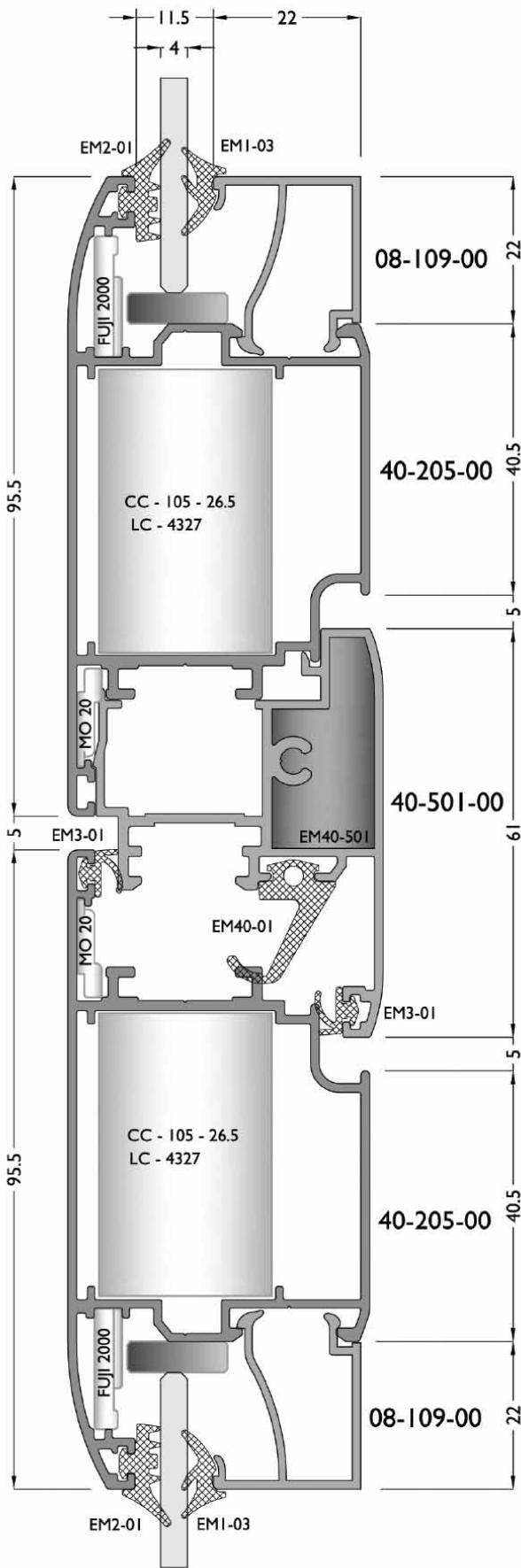
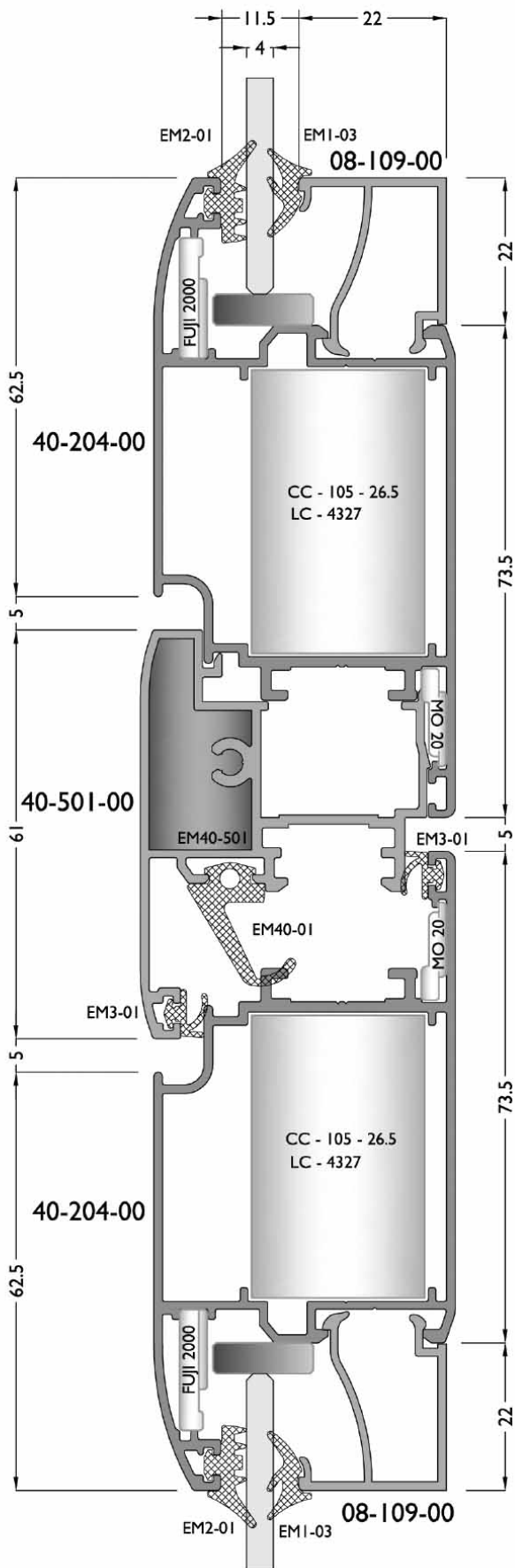


Outside Opening Door

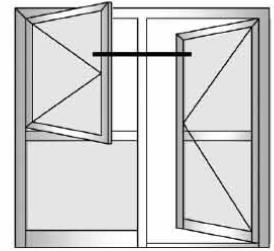
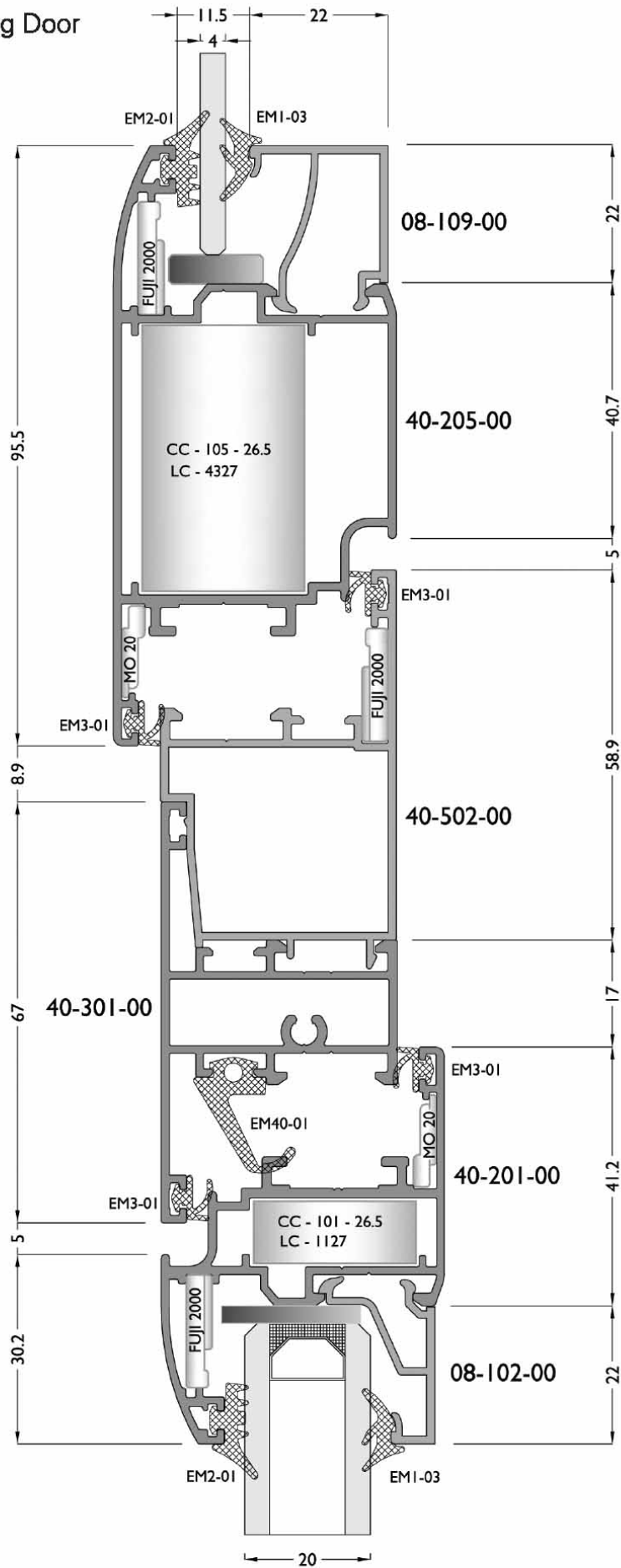


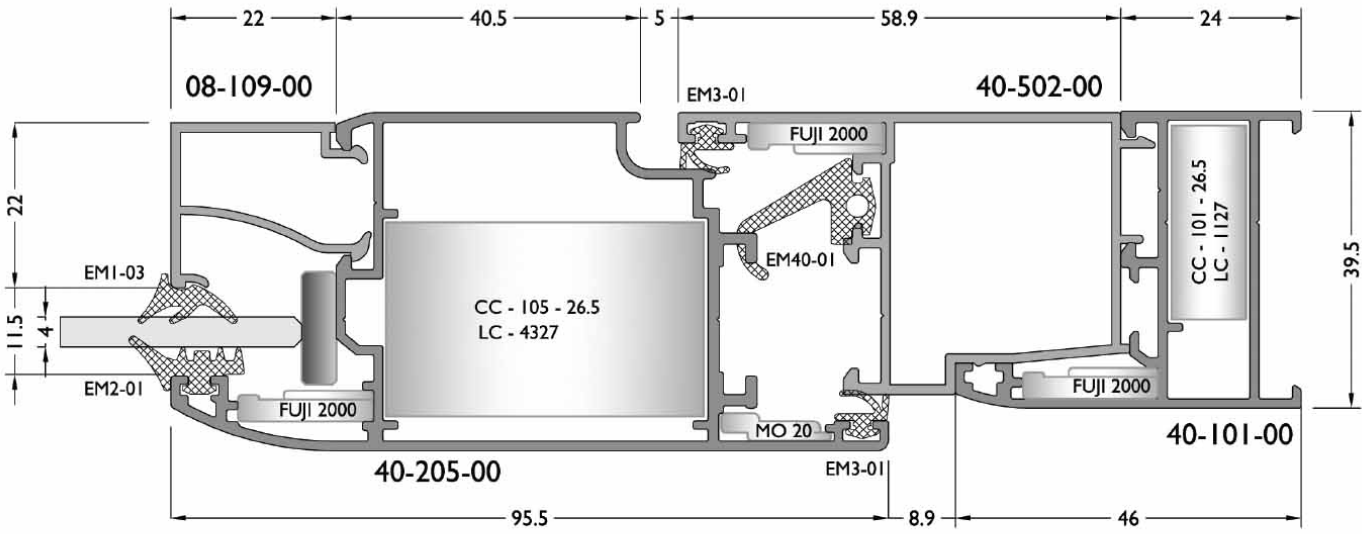
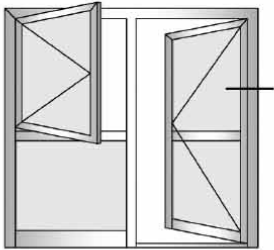
Inside Opening Door

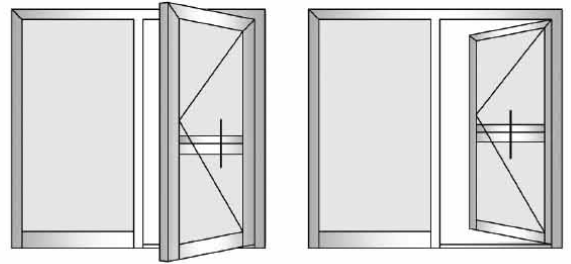
Outside Opening Door



Outside Opening Door

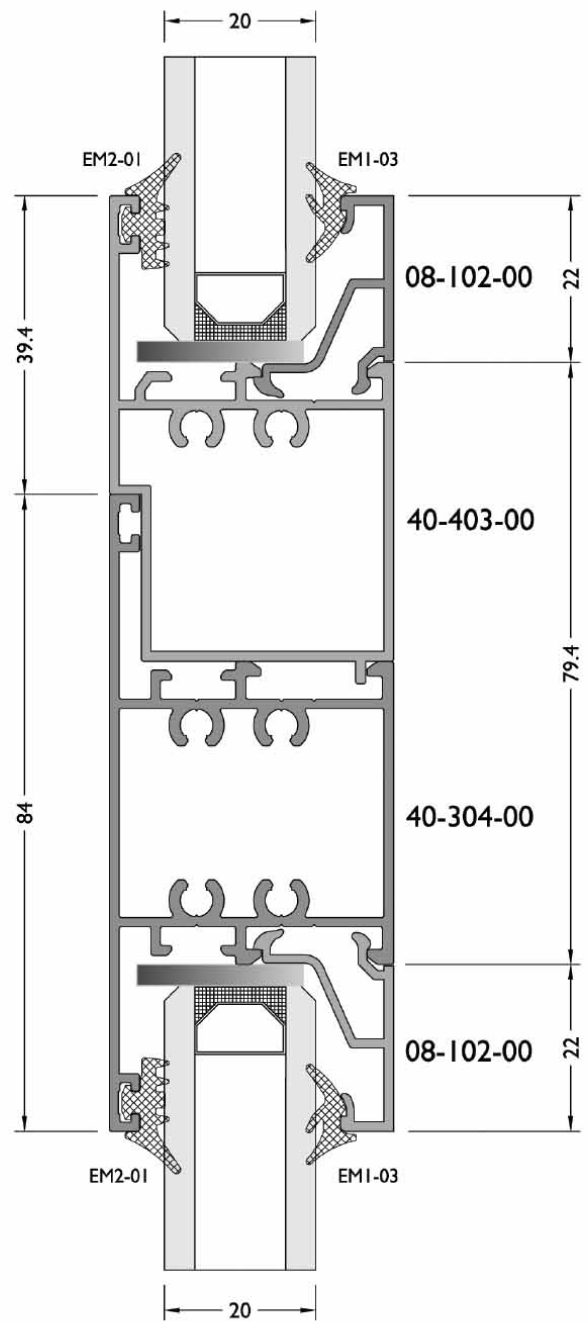
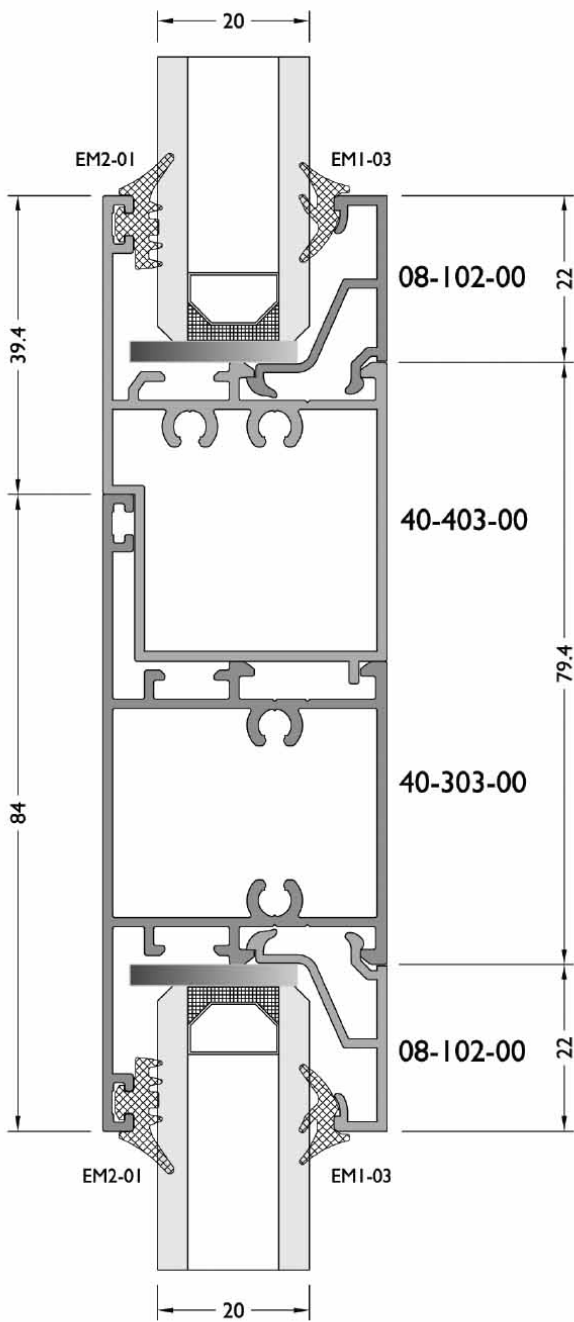


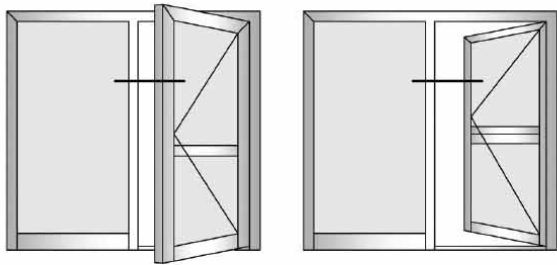




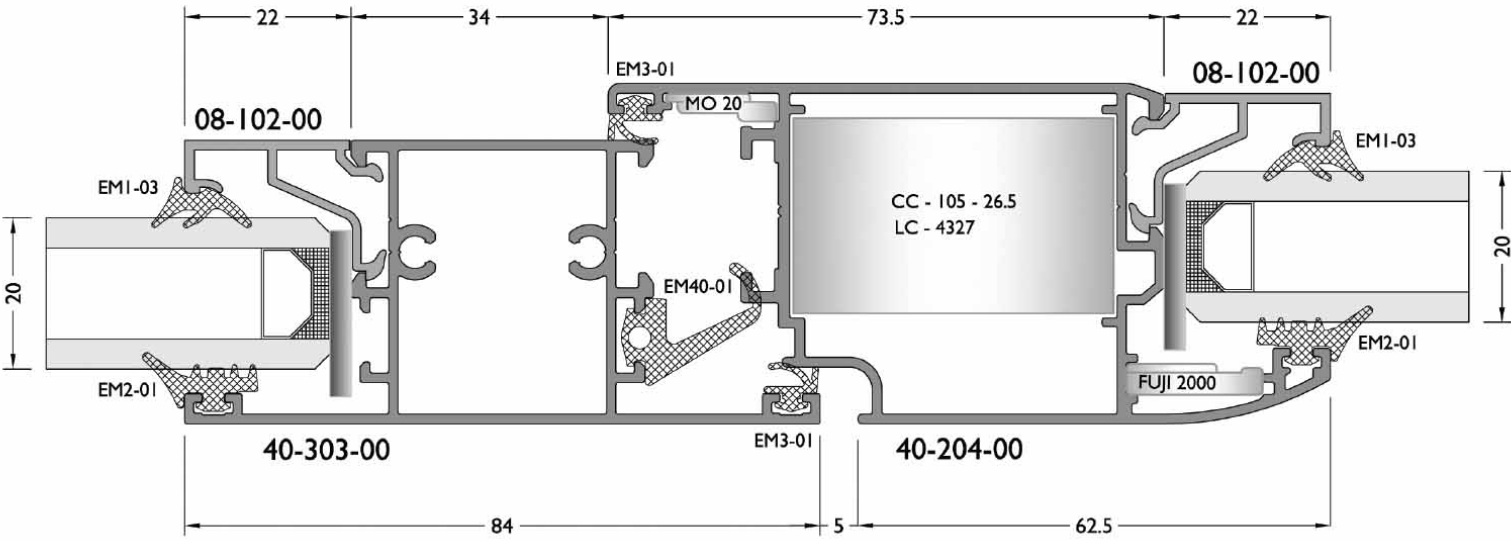
Inside Opening Door

Outside Opening Door

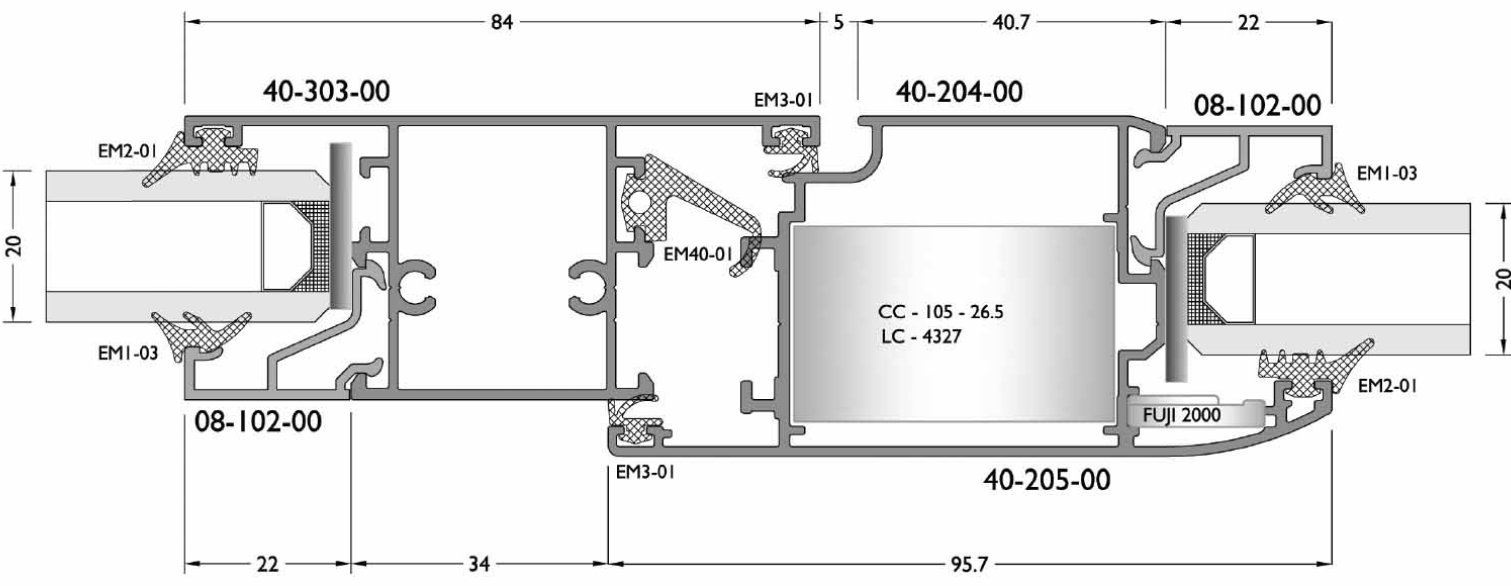




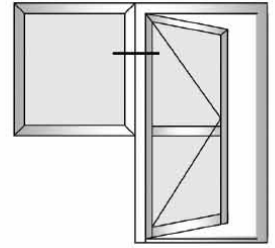
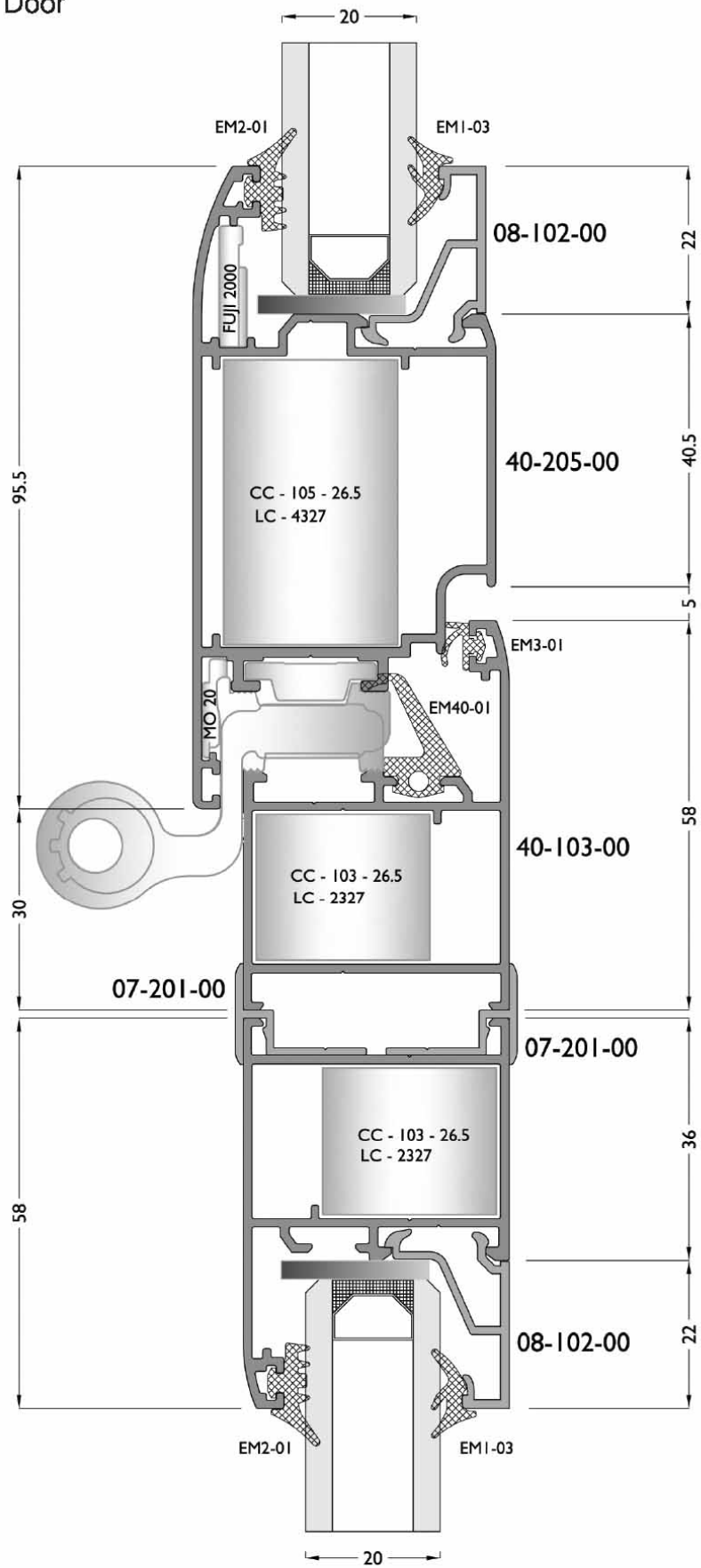
Inside Opening Door

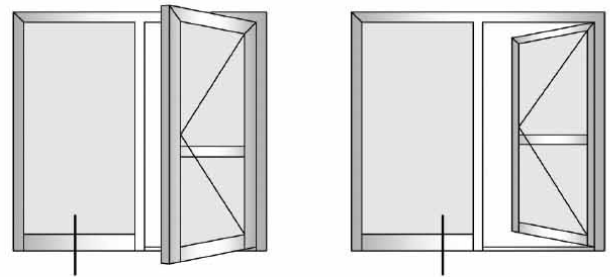


Outside Opening Door

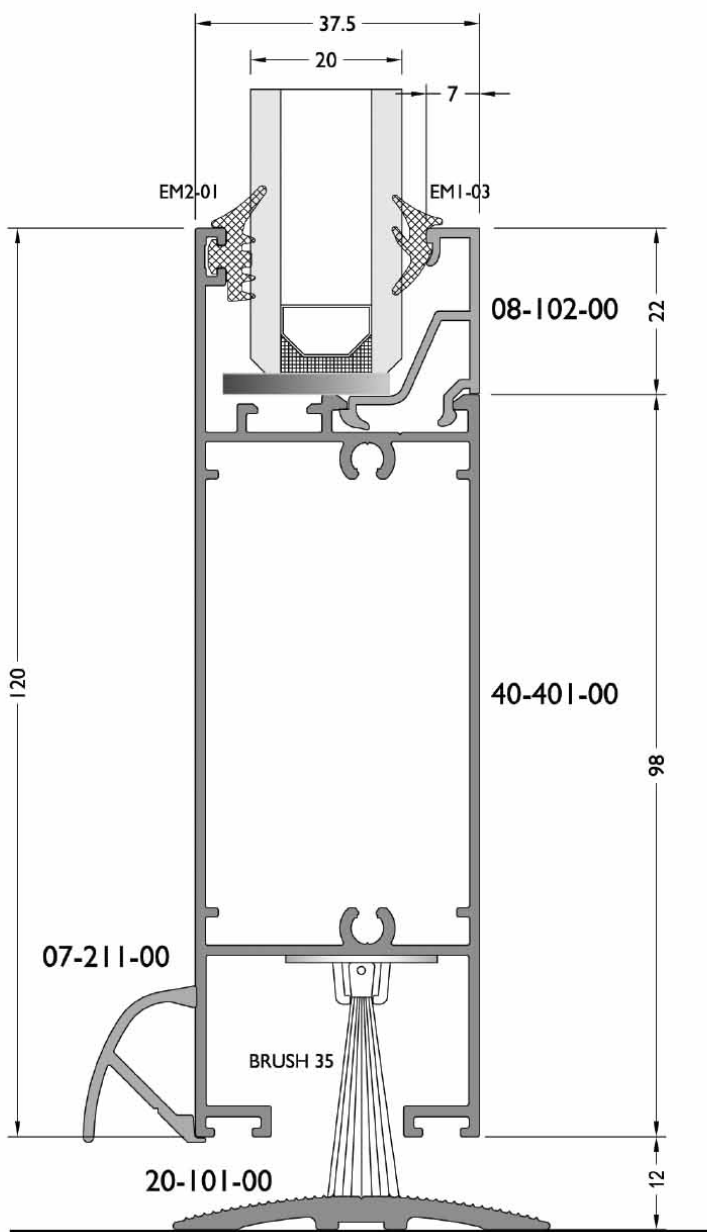


Outside Opening Door

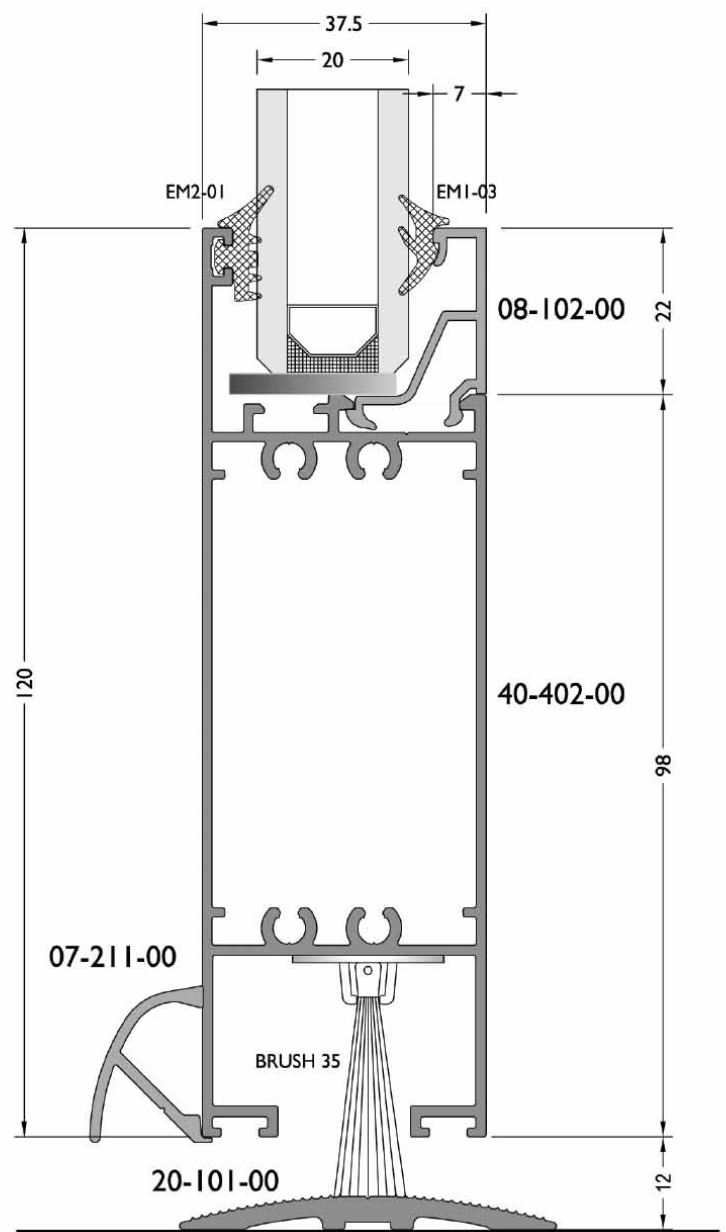


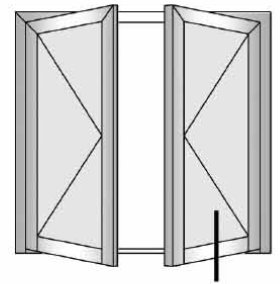


Inside Opening Door



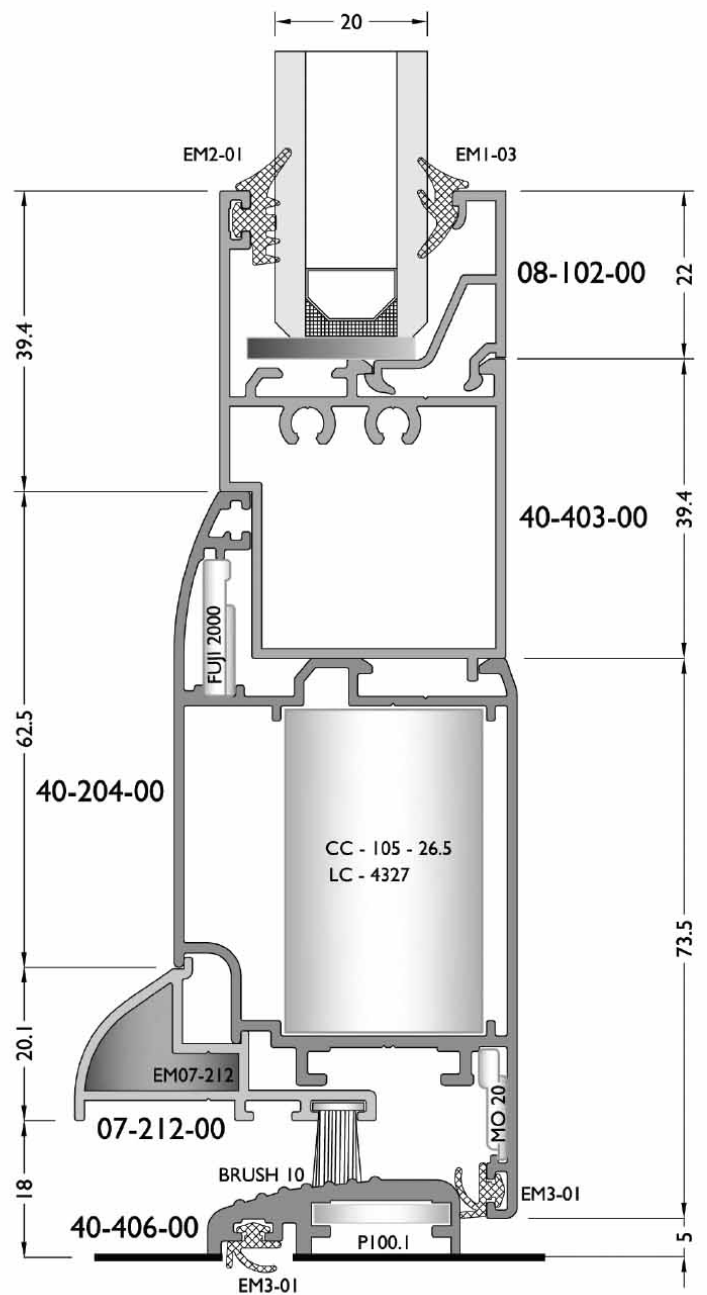
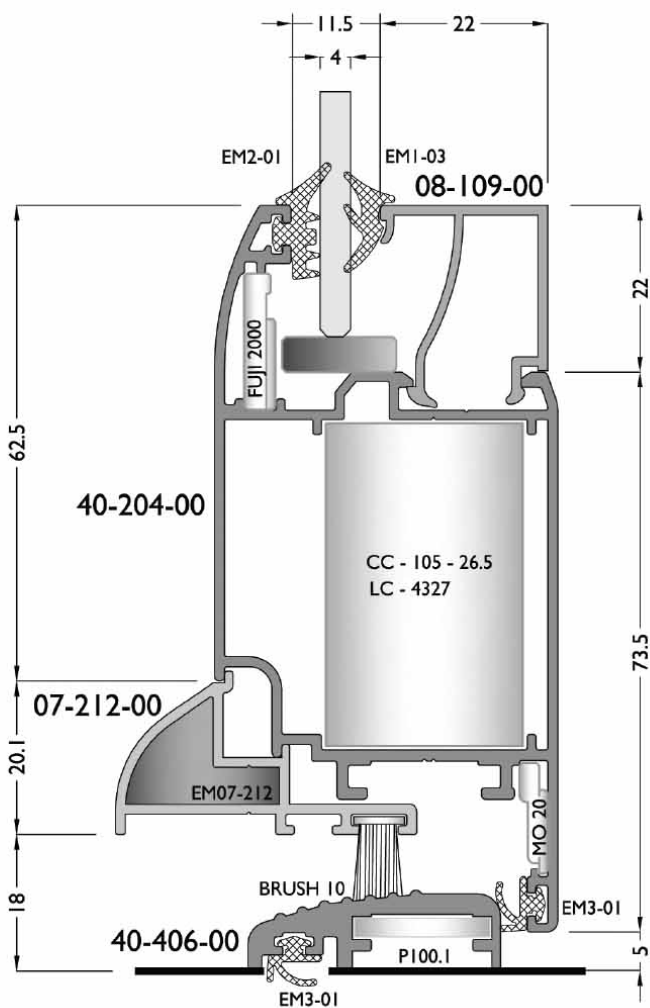
Outside Opening Door

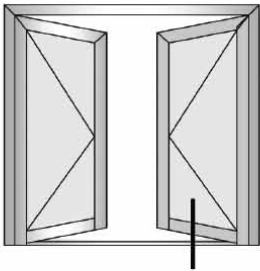




Outside Opening Door

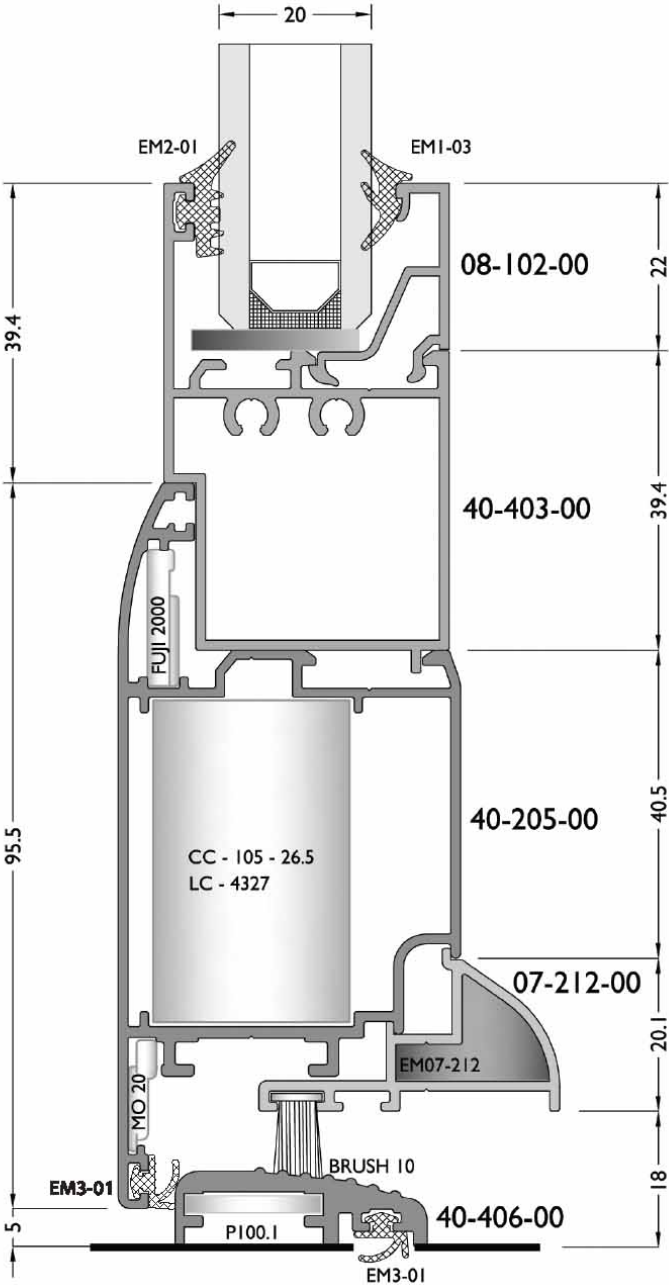
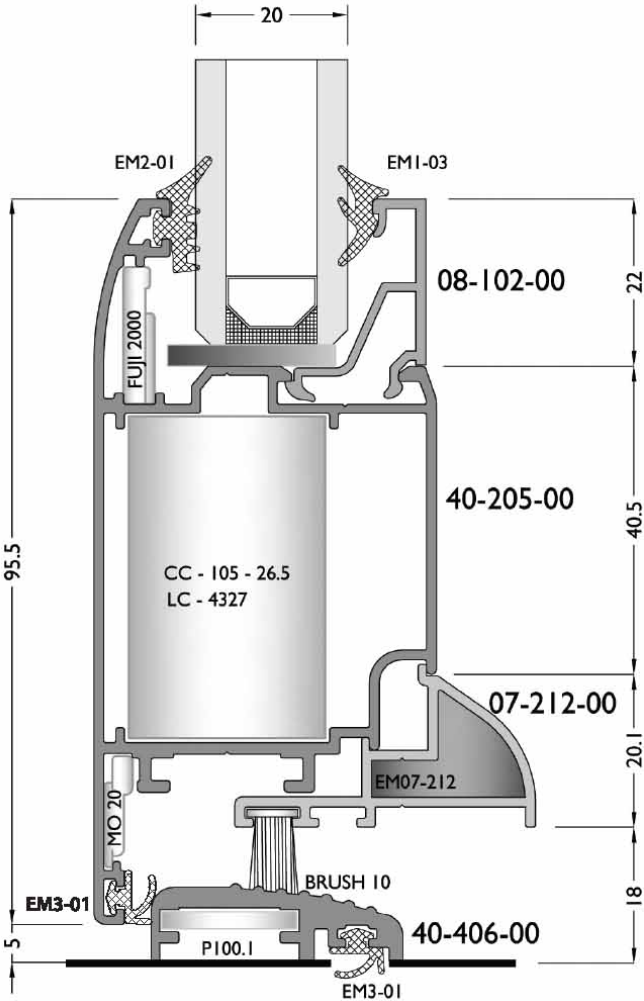
Inside Opening Door

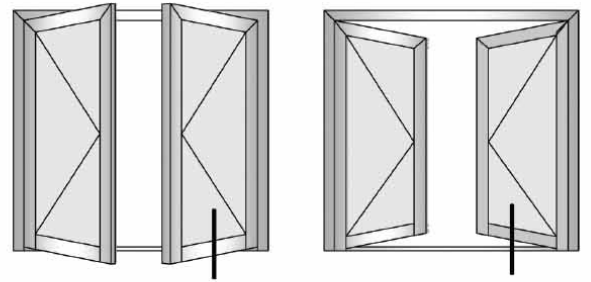




Outside Opening Door

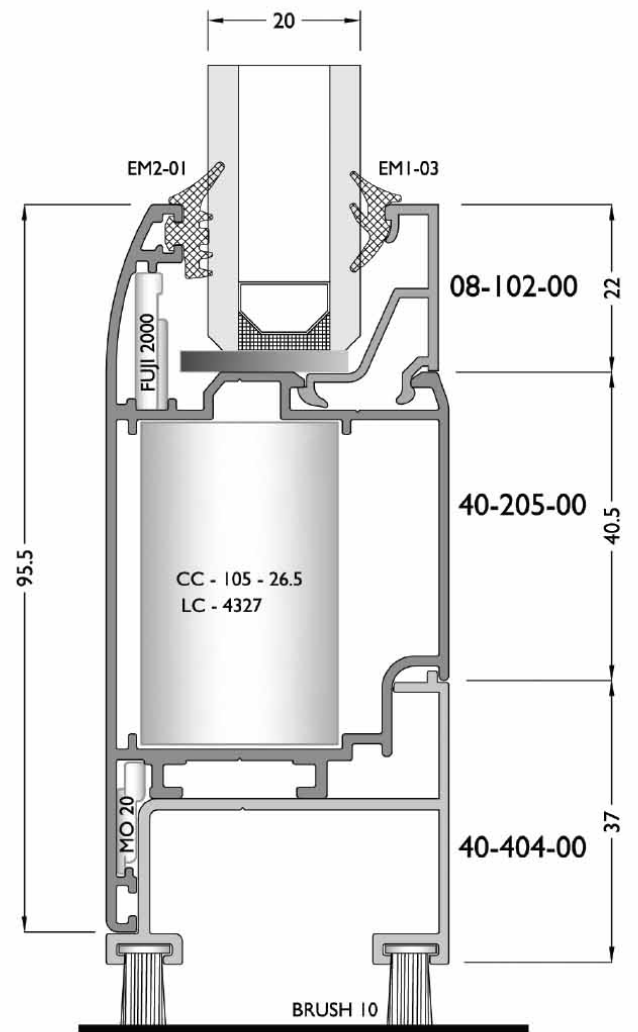
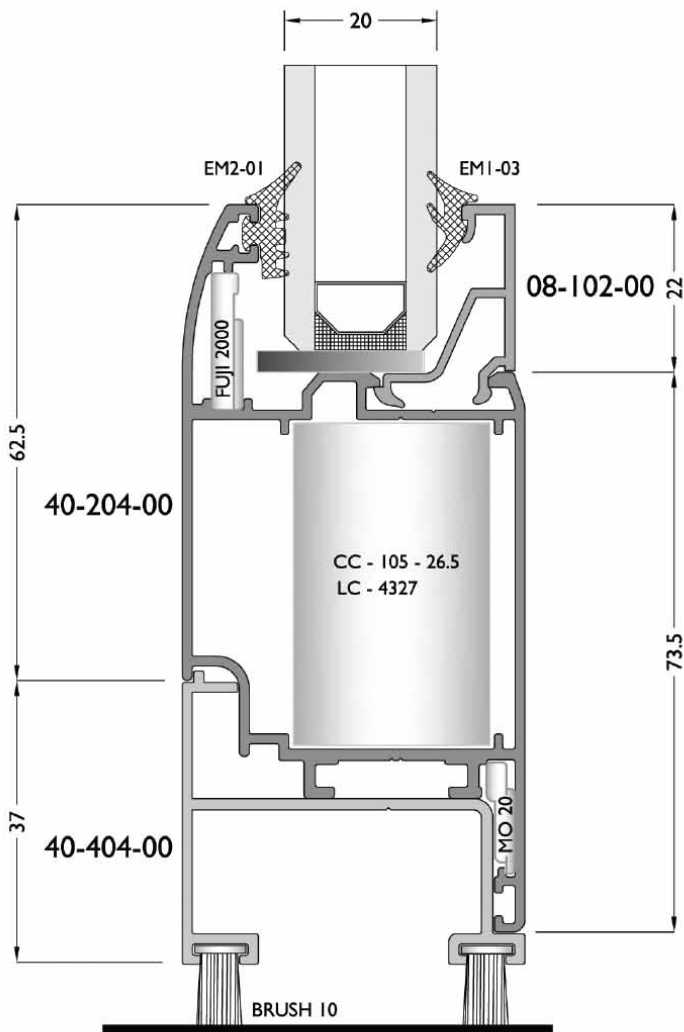
Inside Opening Door

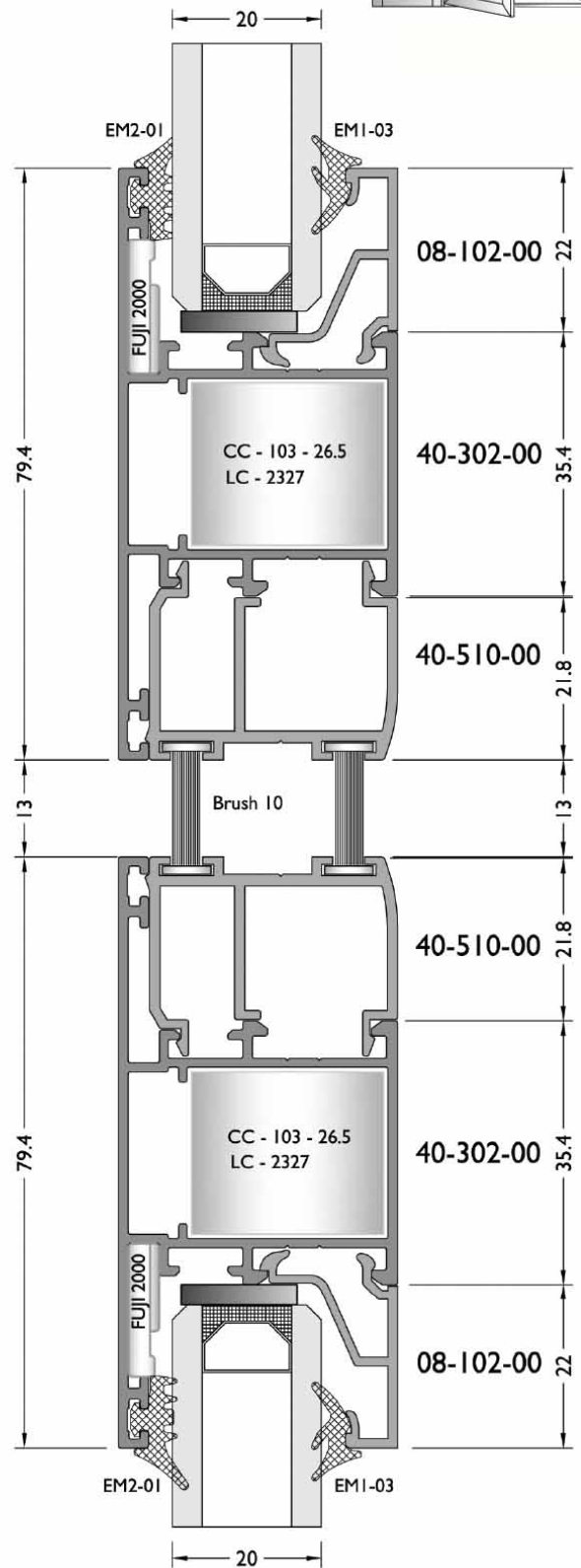
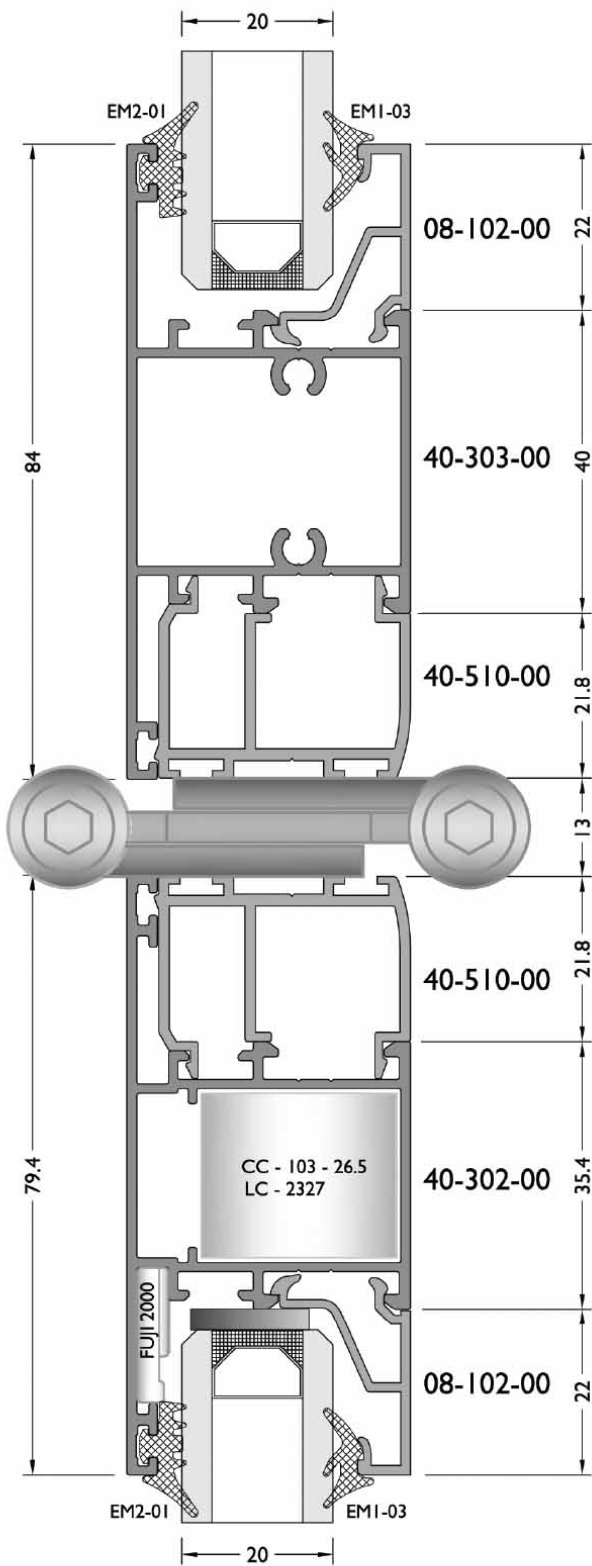
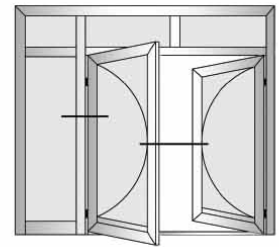


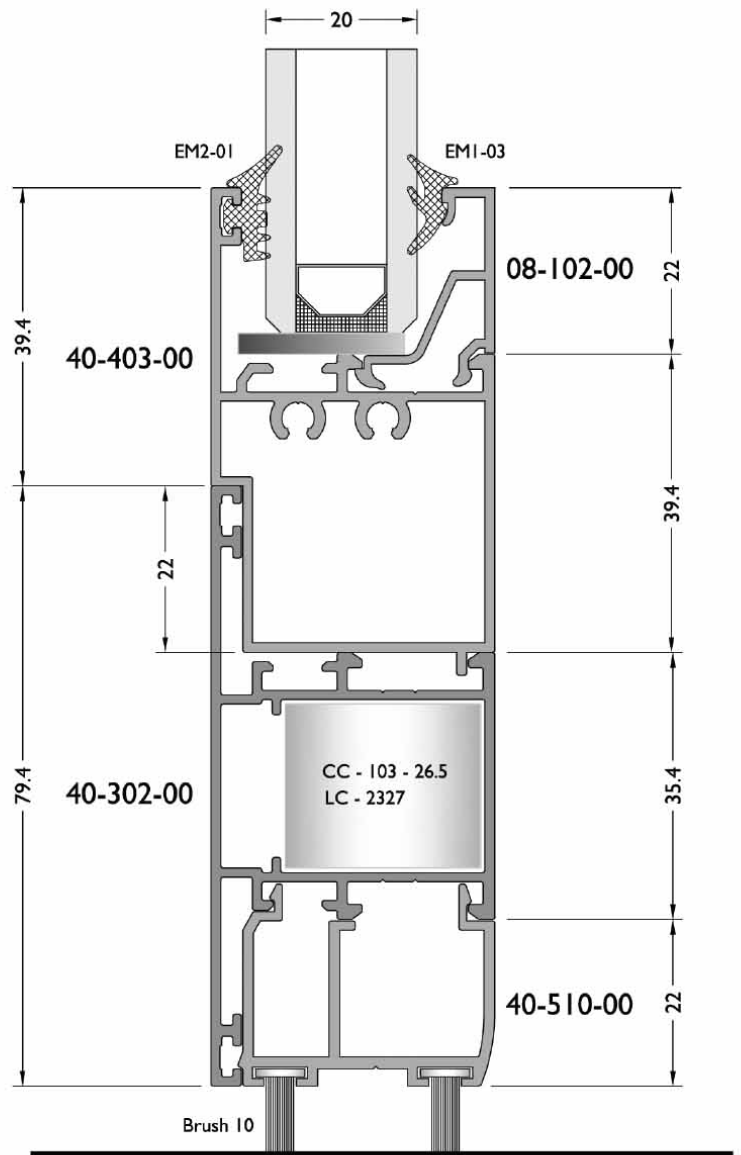
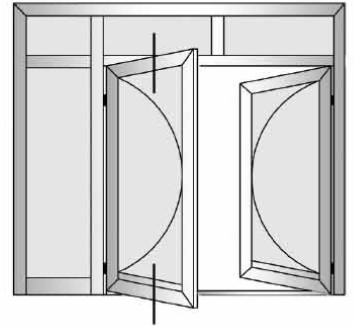
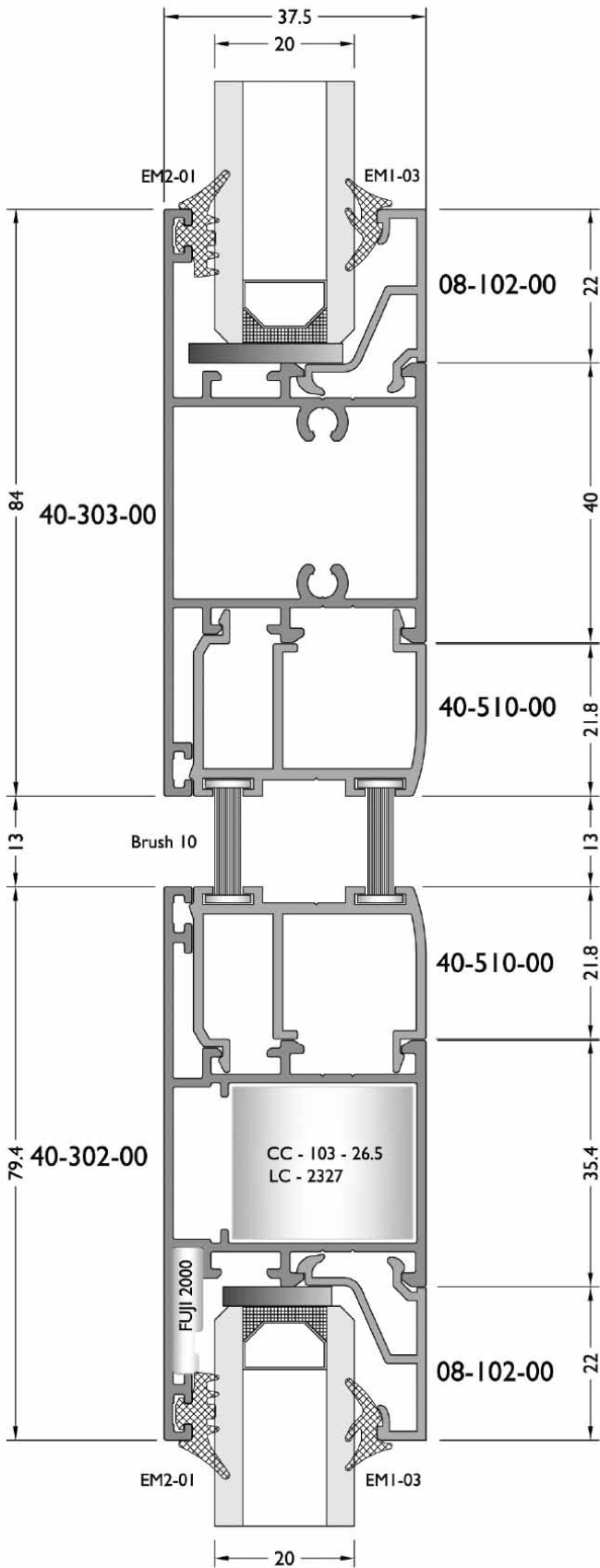


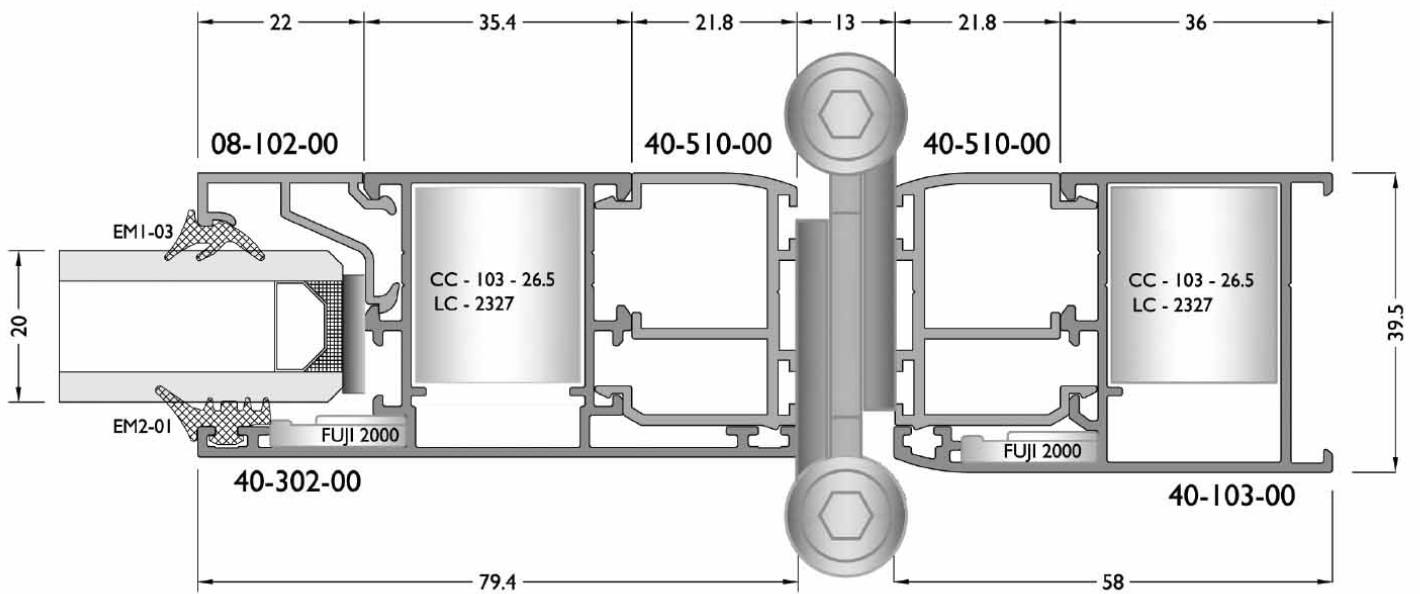
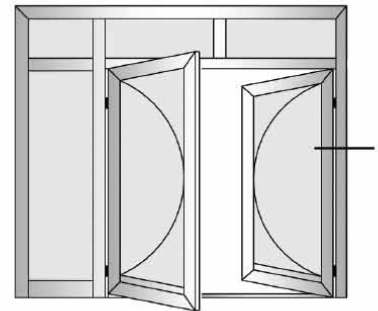
Inside Opening Door

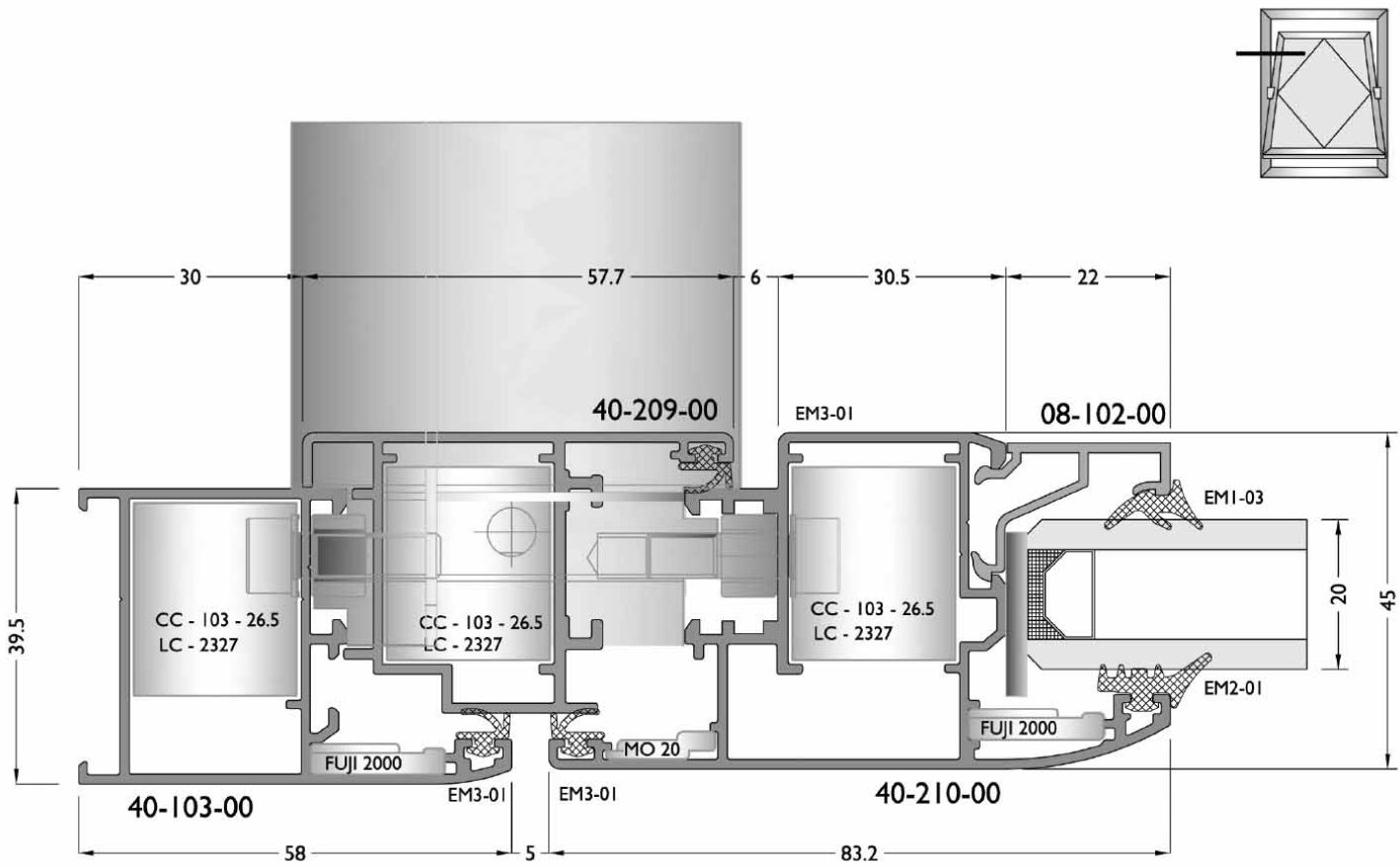
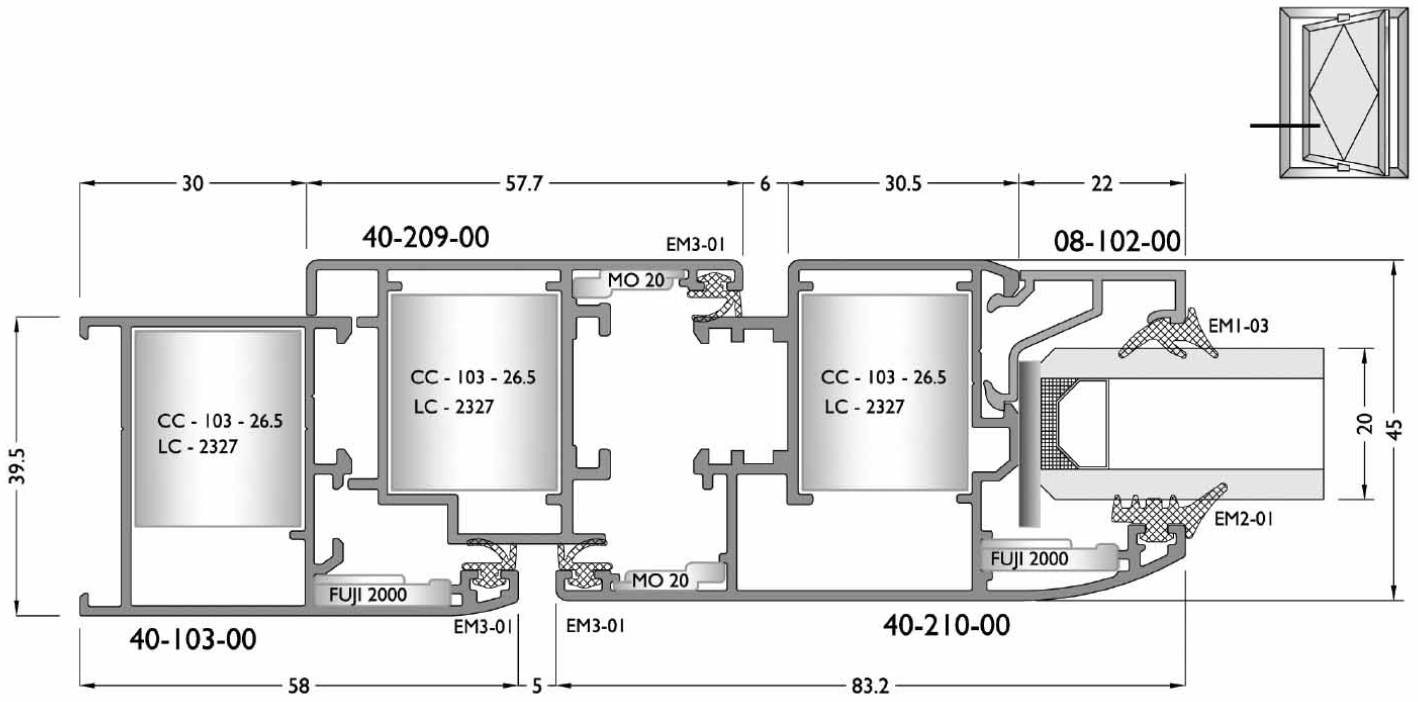
Outside Opening Door

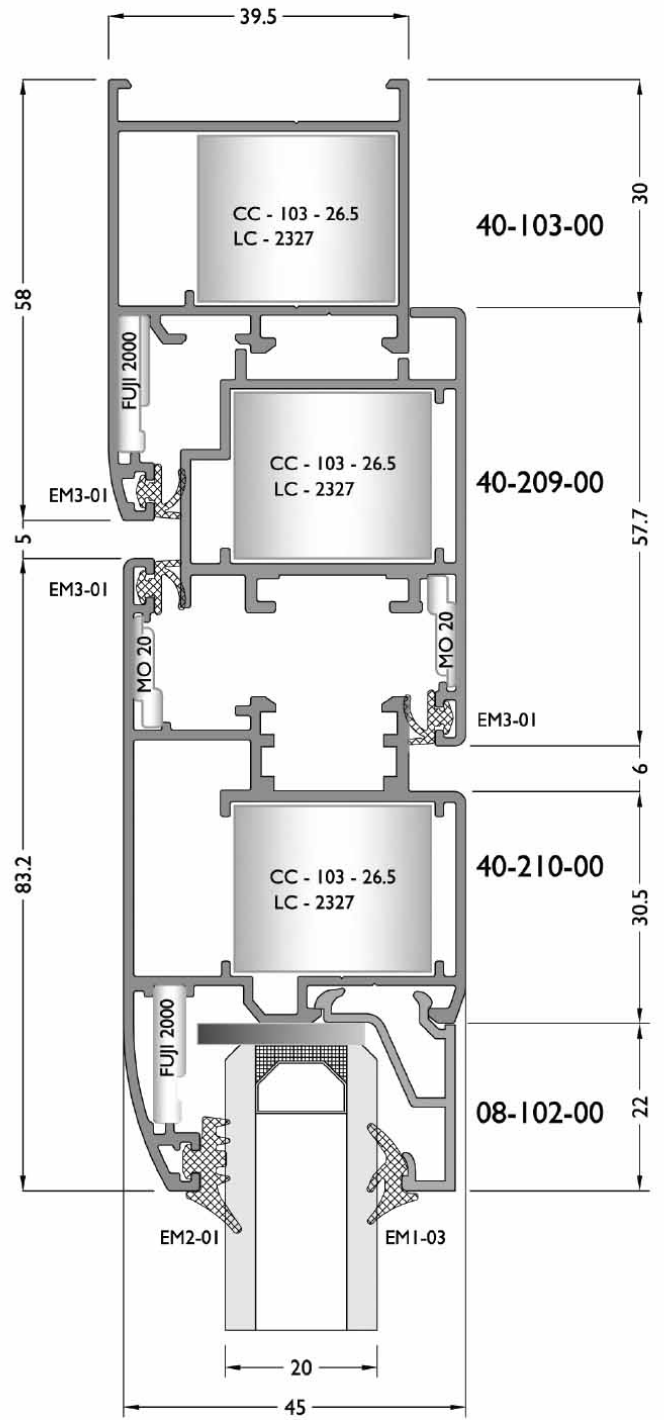
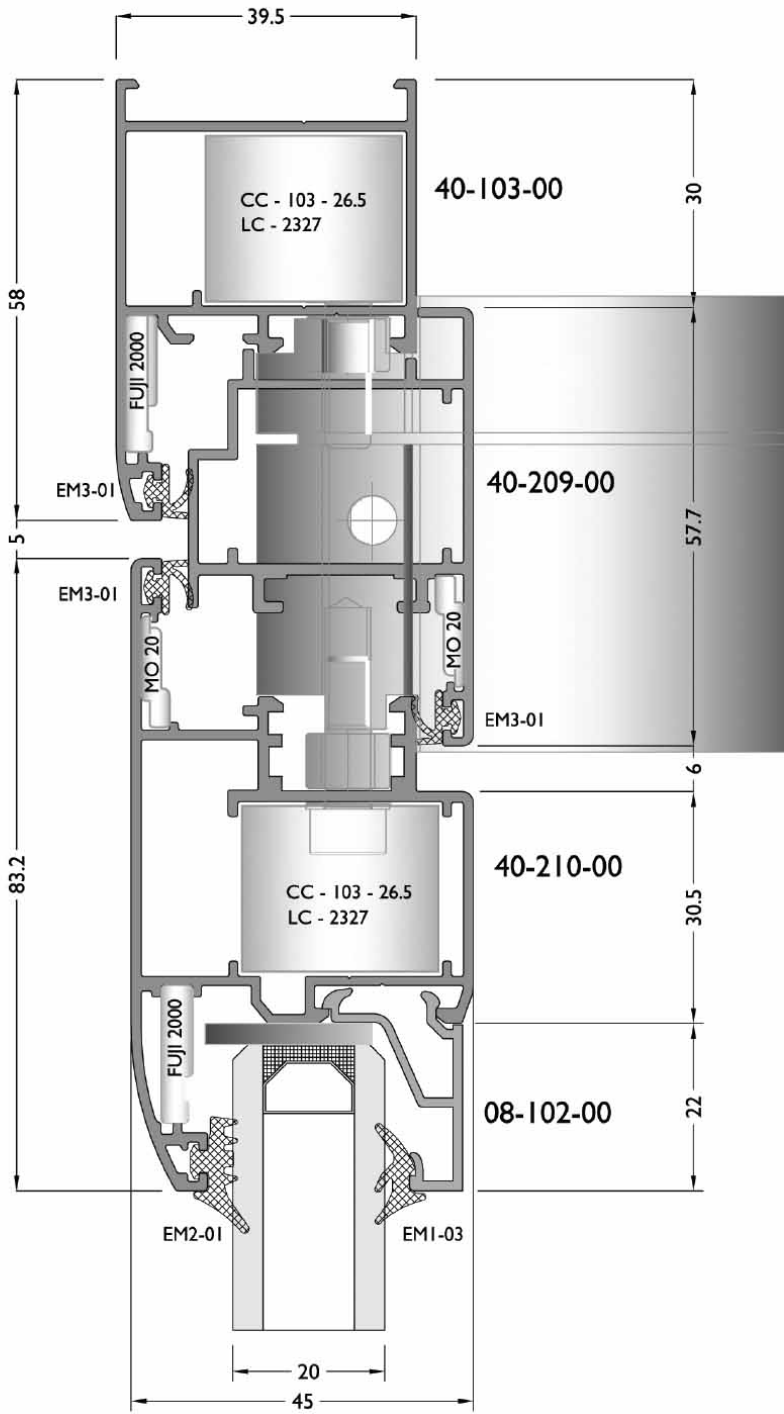
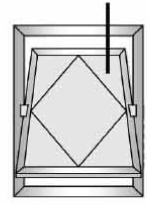
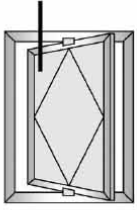


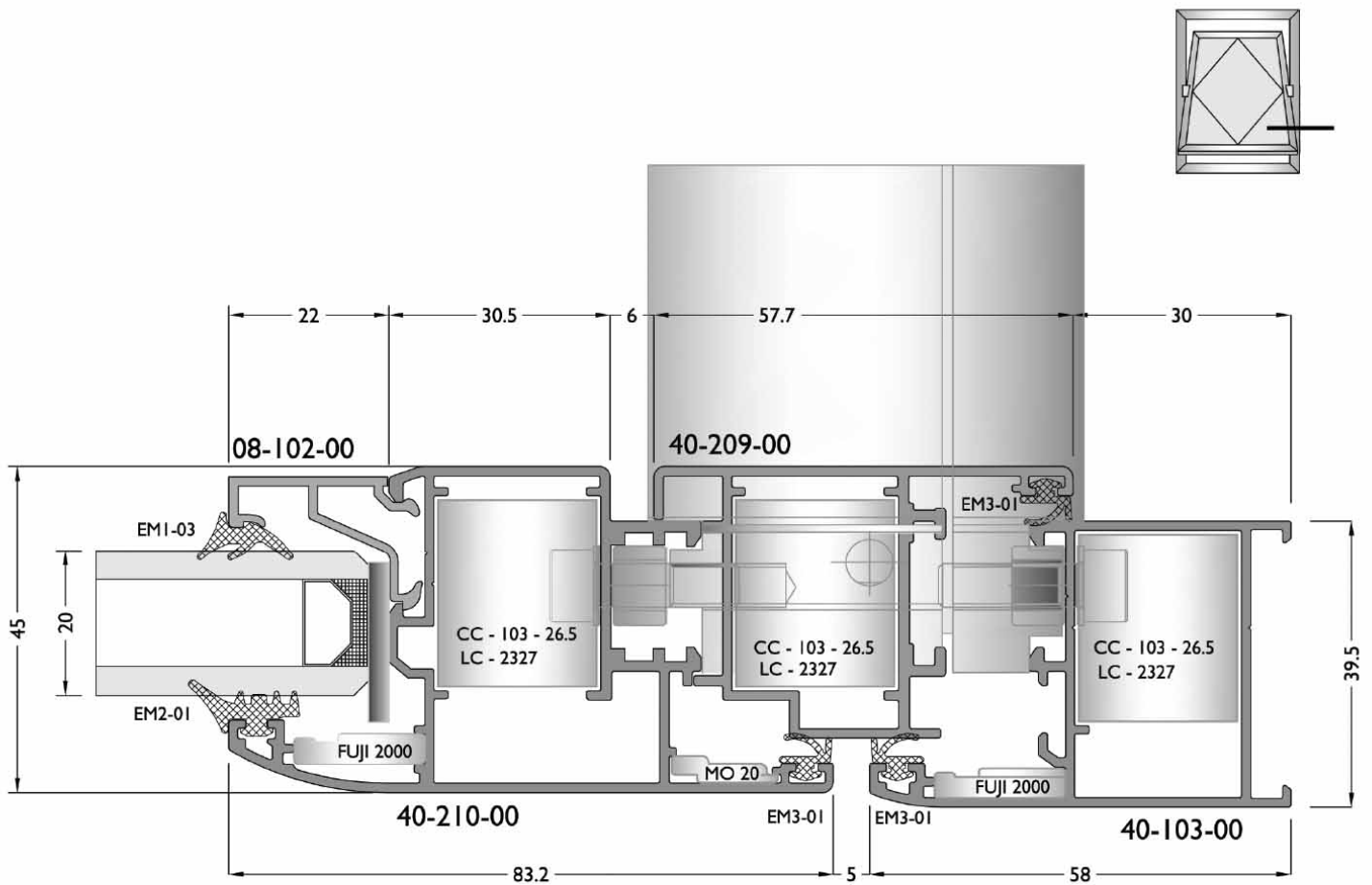
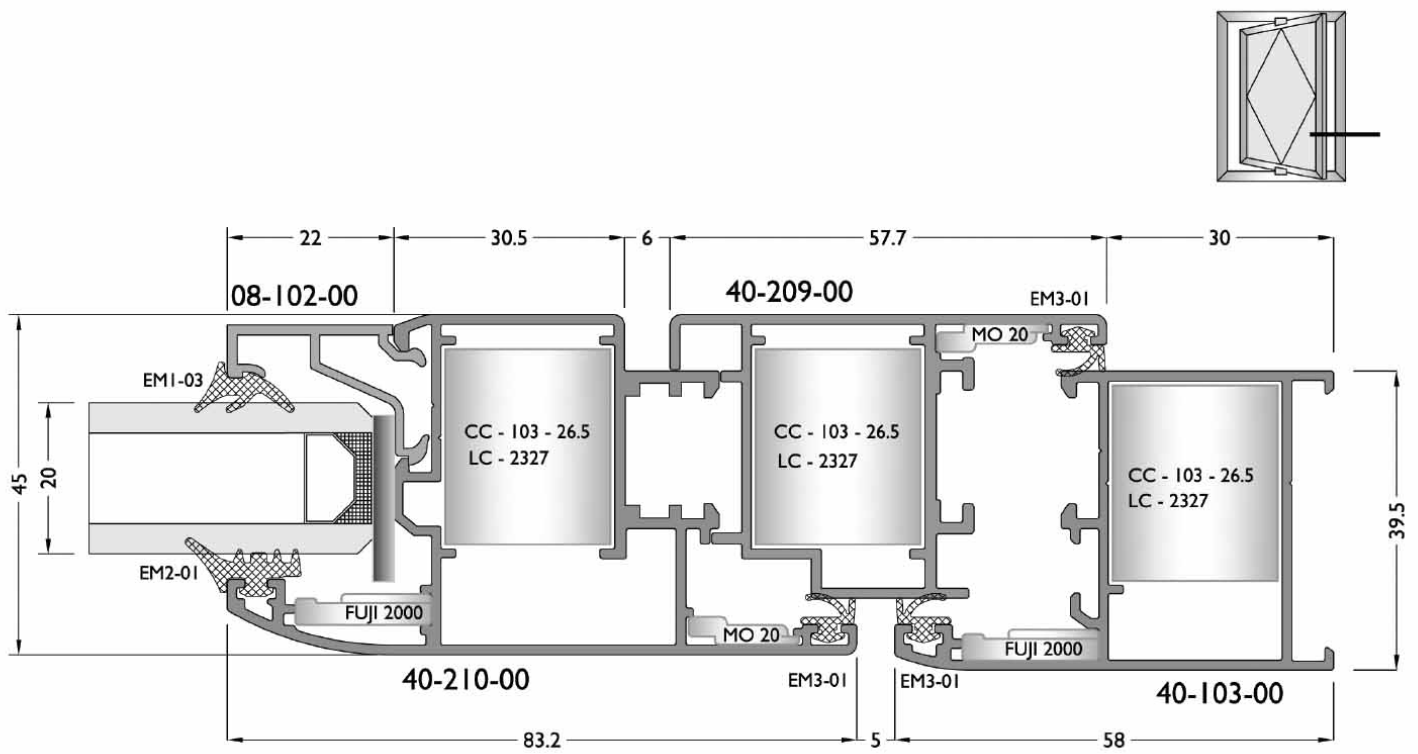


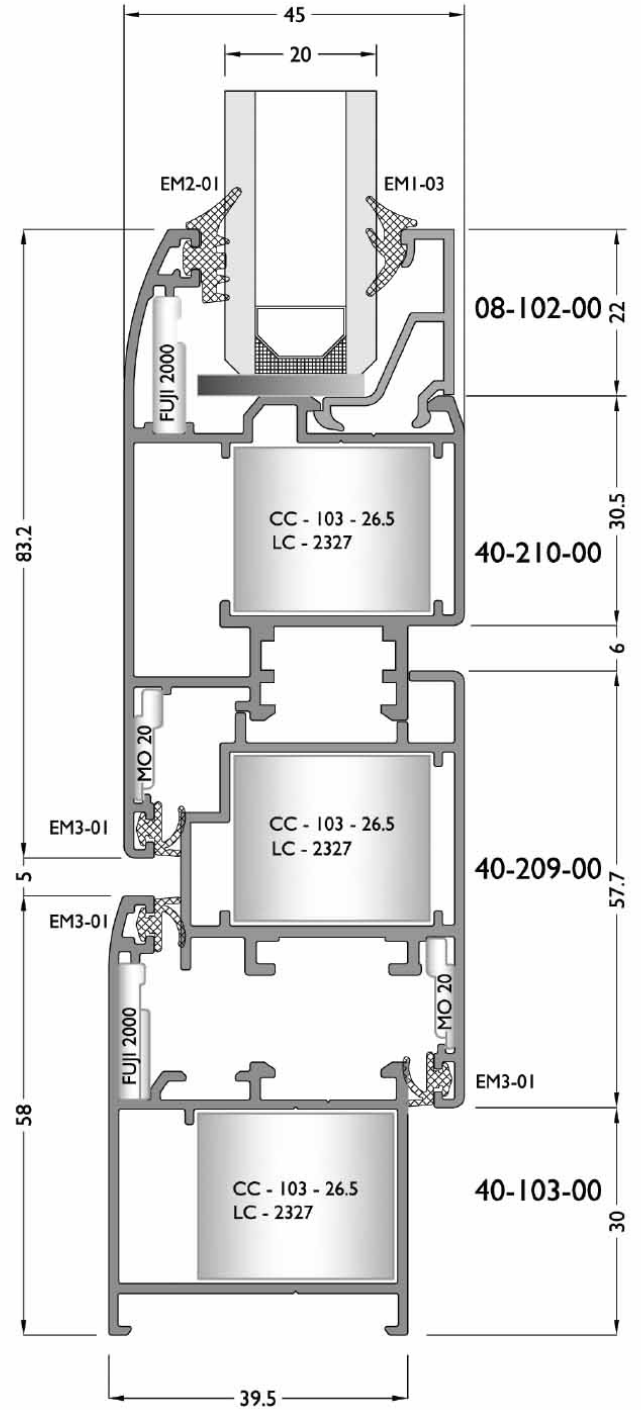
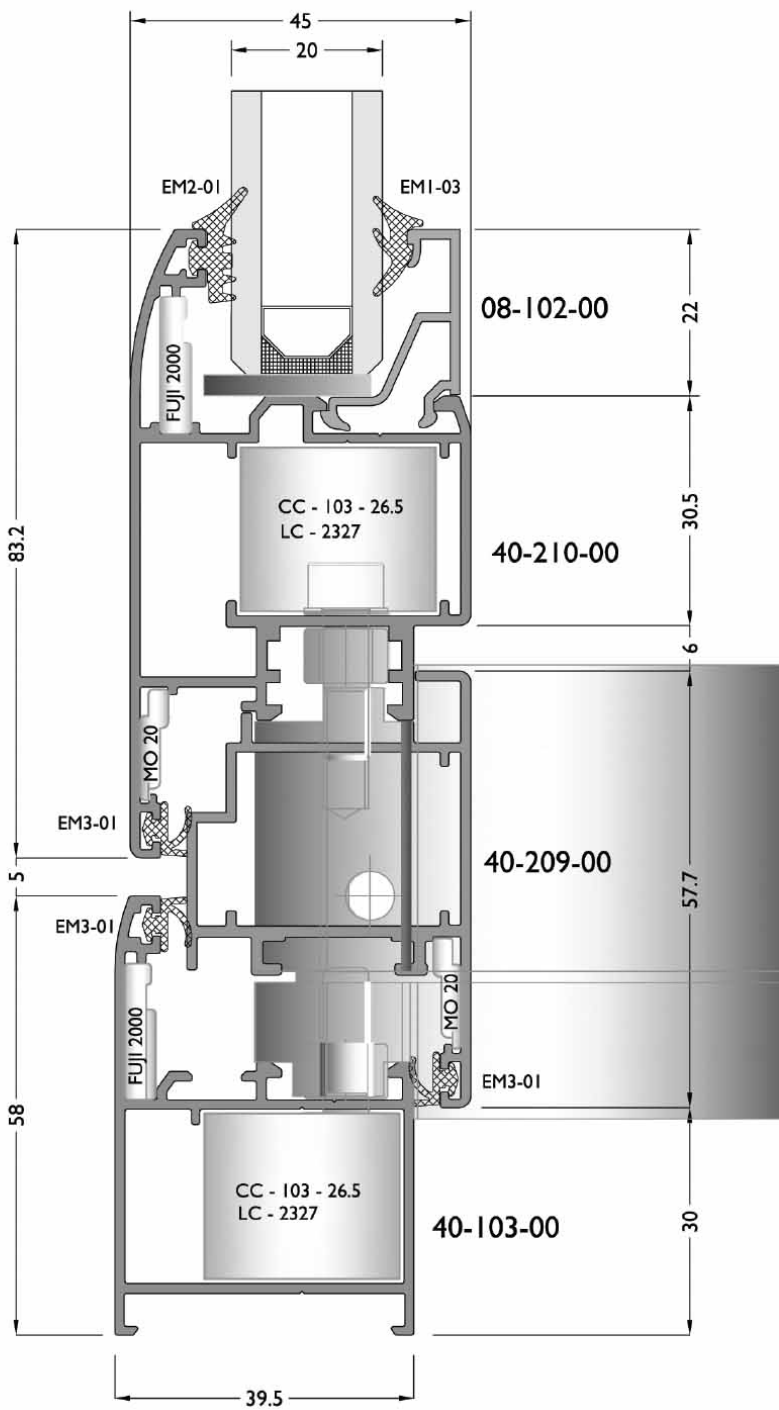
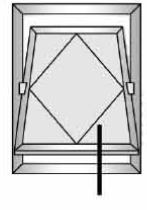
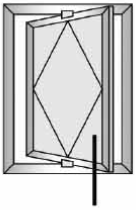








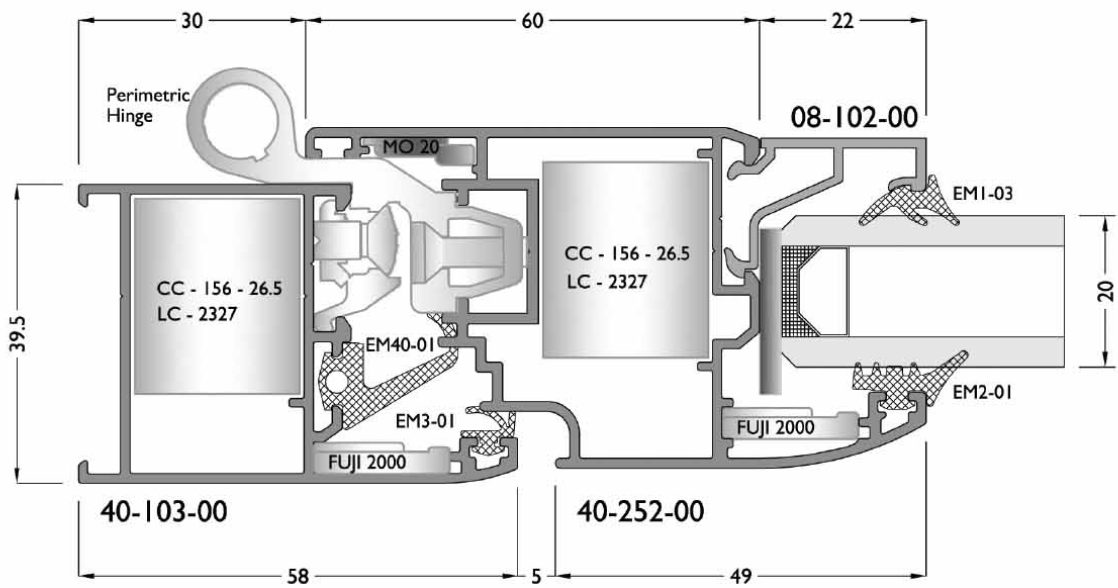
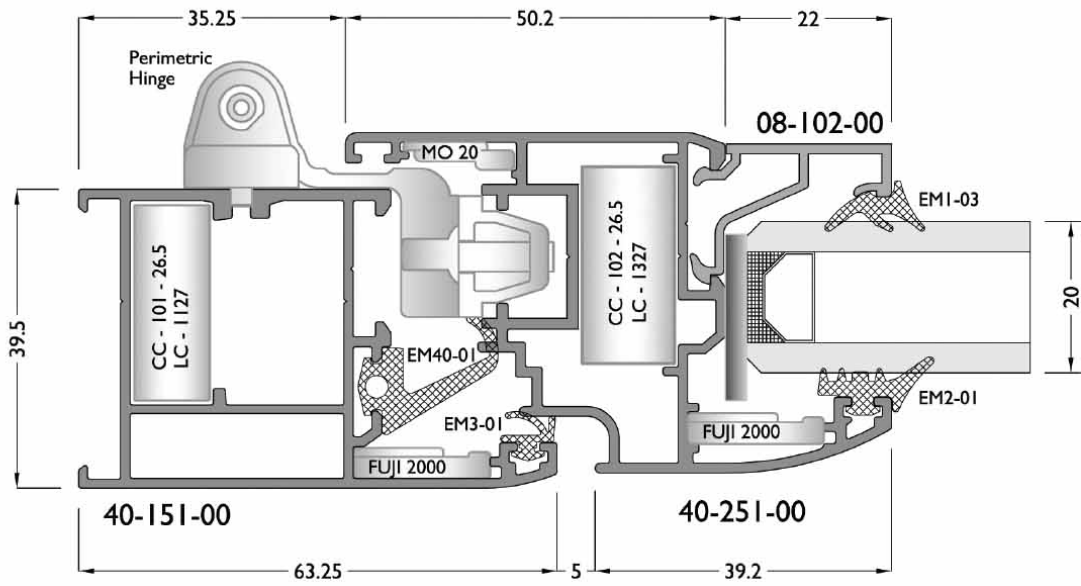
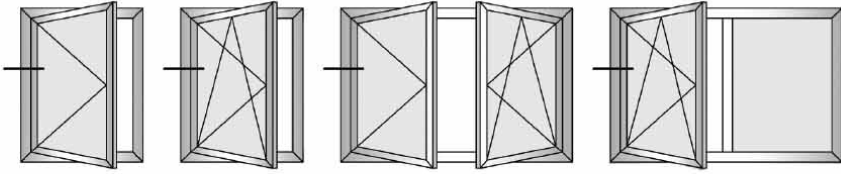


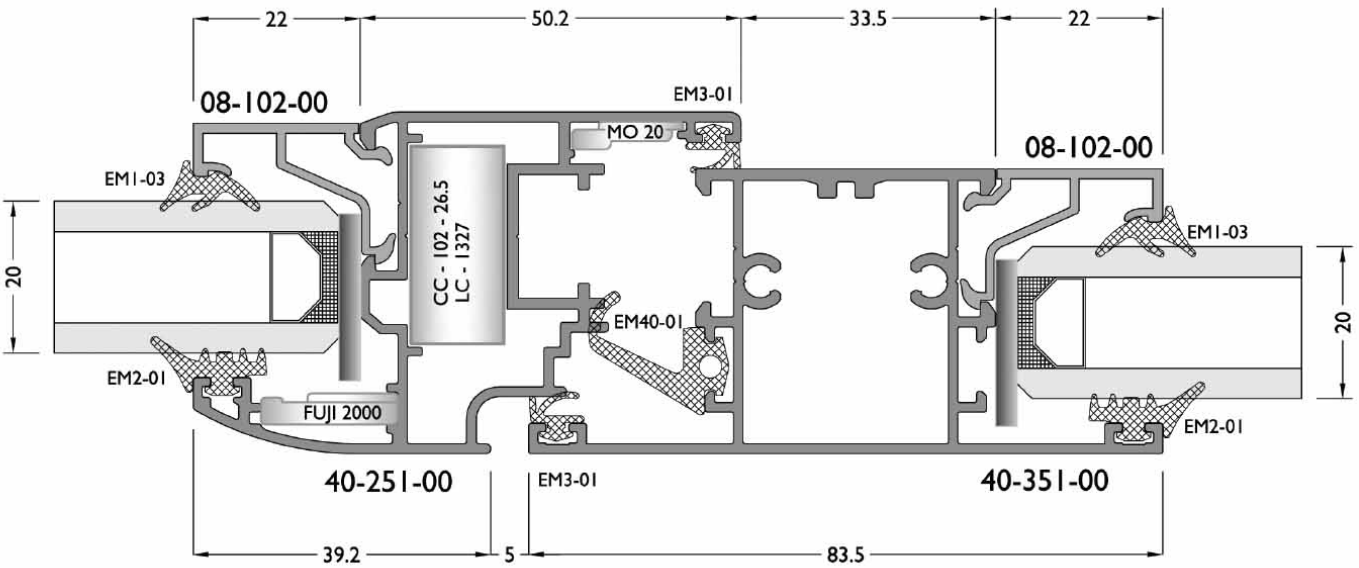
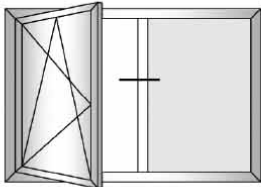
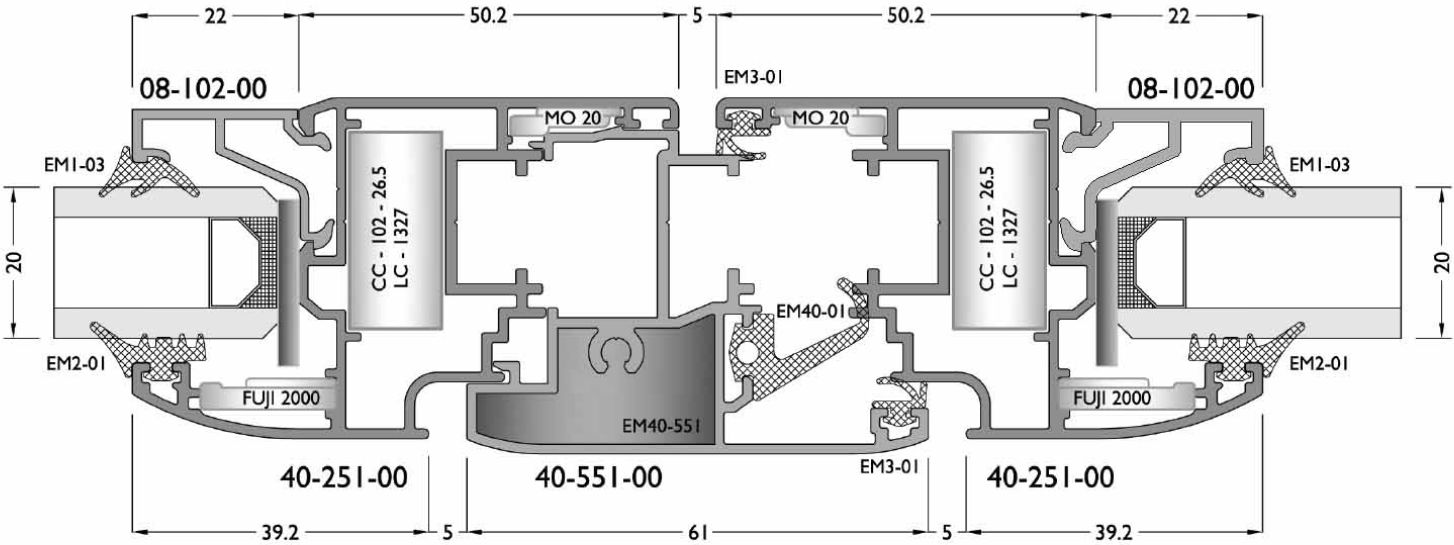
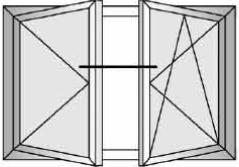


Perimetric**details**

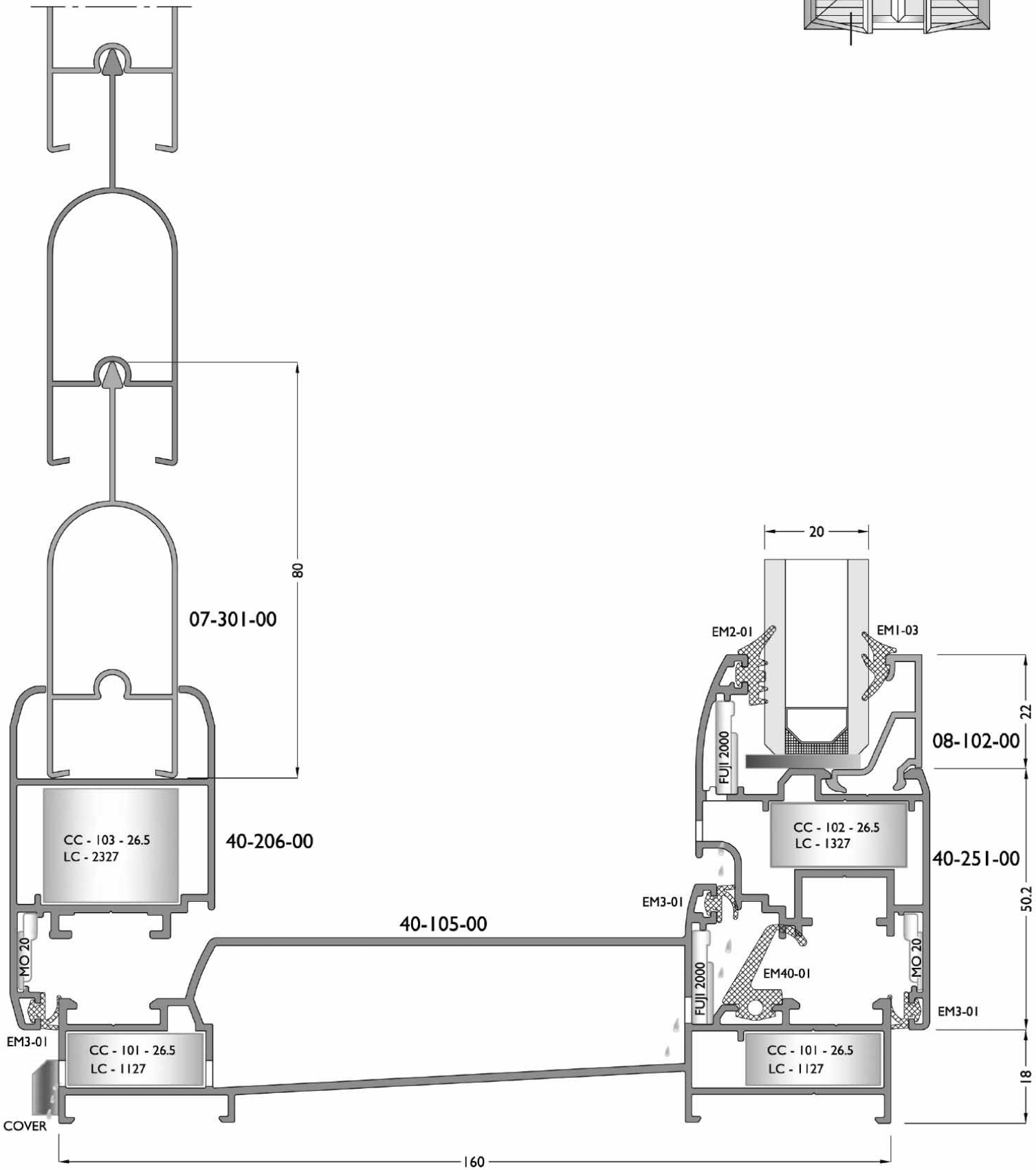
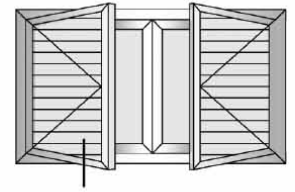
Perimetric**details**

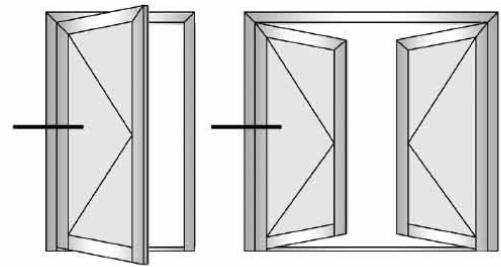
perimetric details



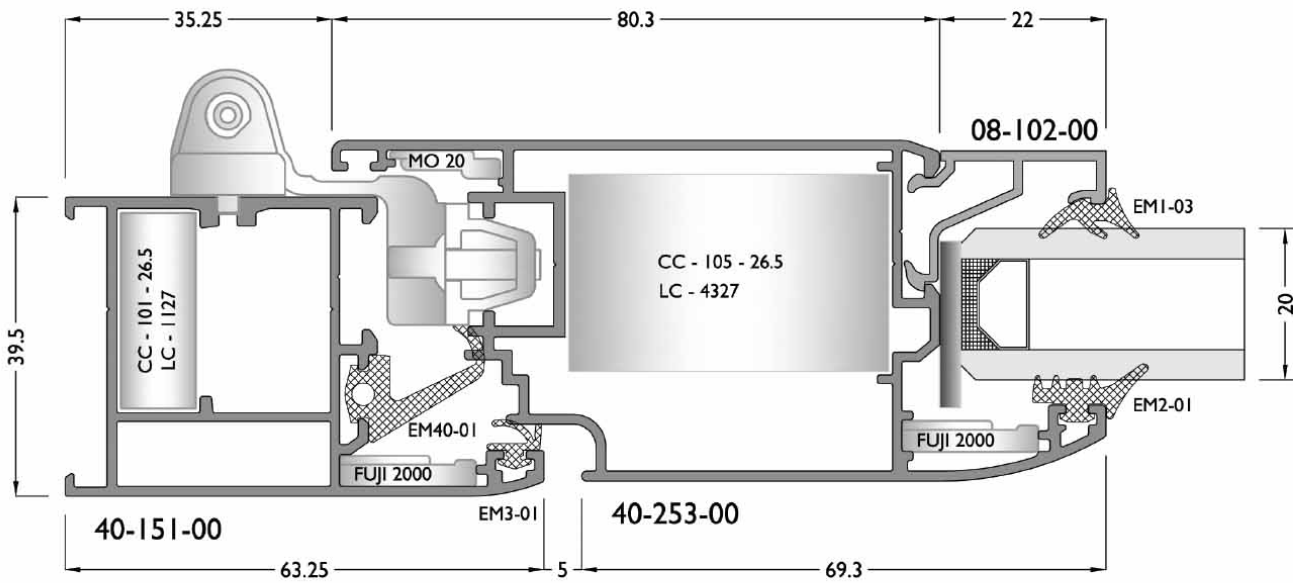


perimetric**details**

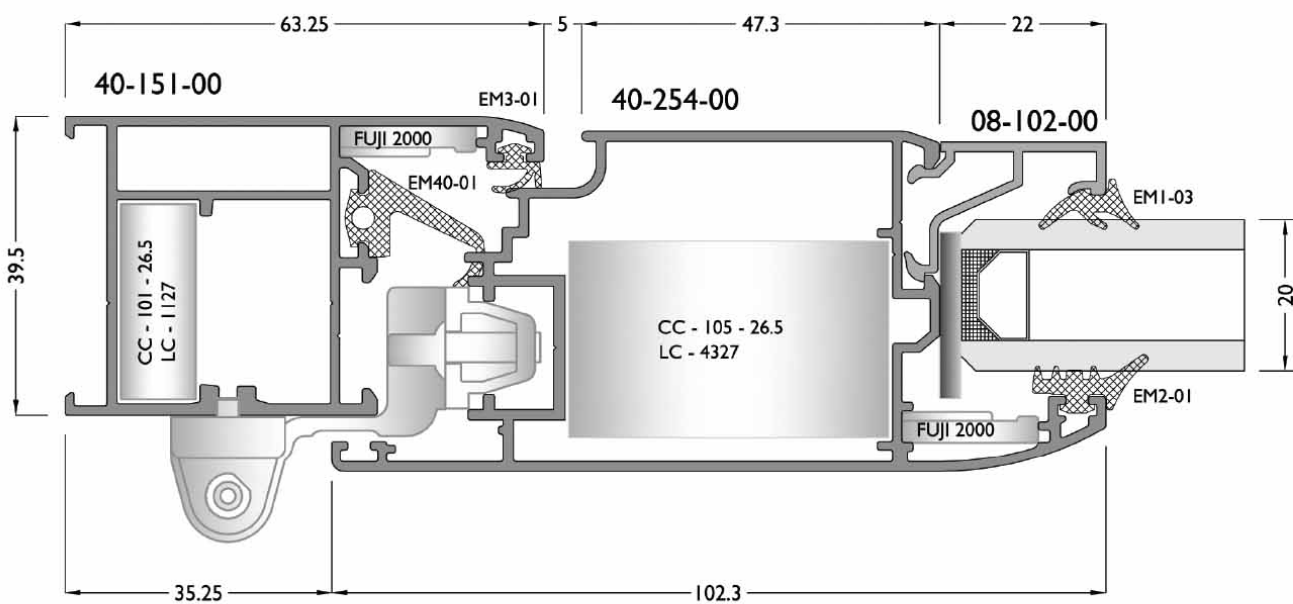


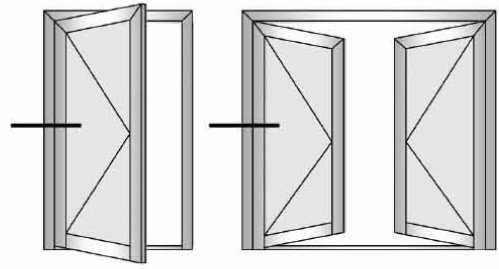


Inside Opening Door

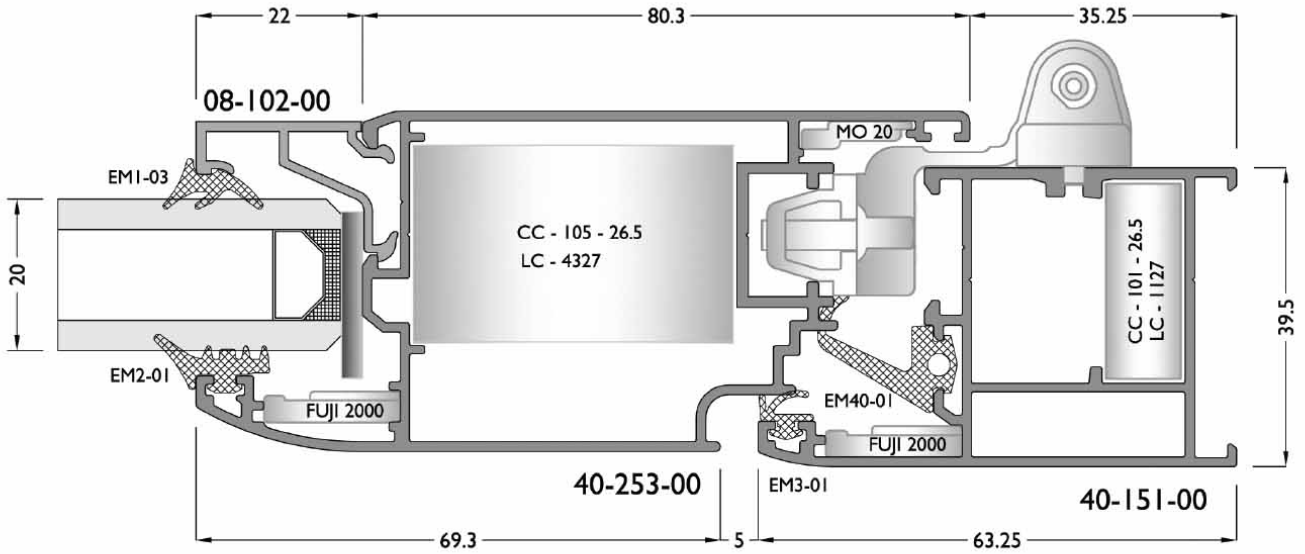


Outside Opening Door

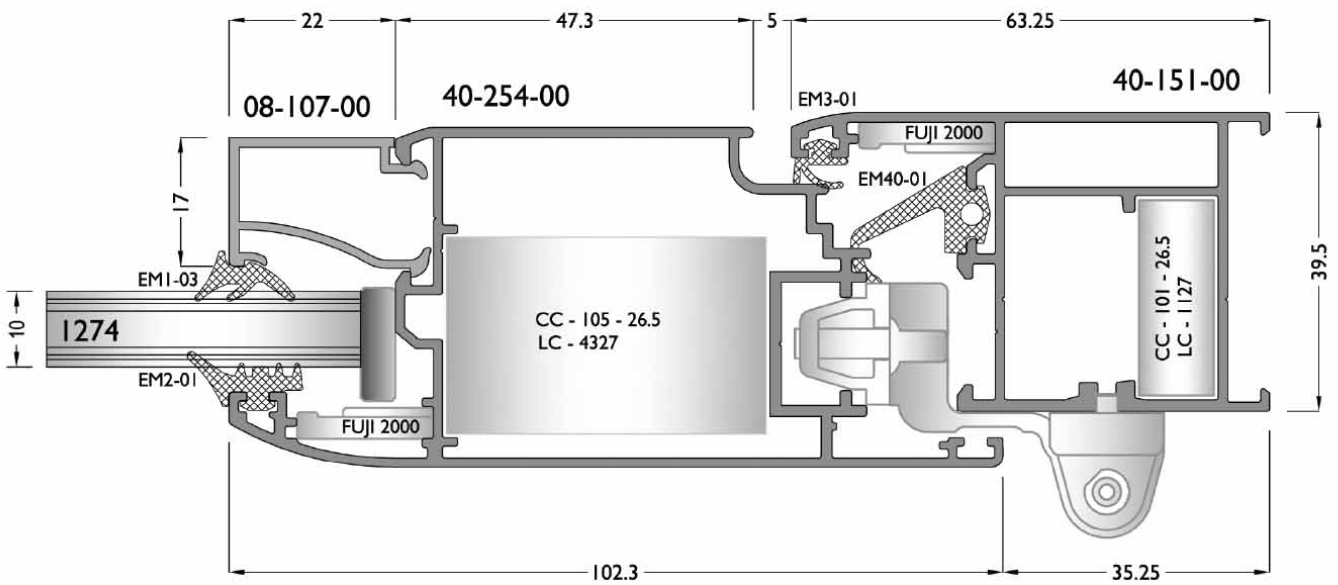


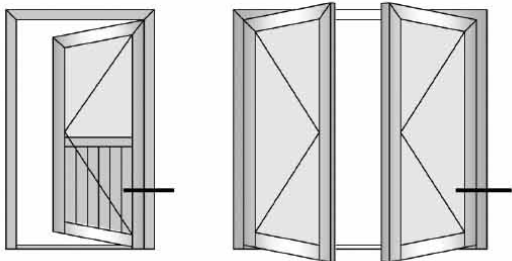


Inside Opening Door

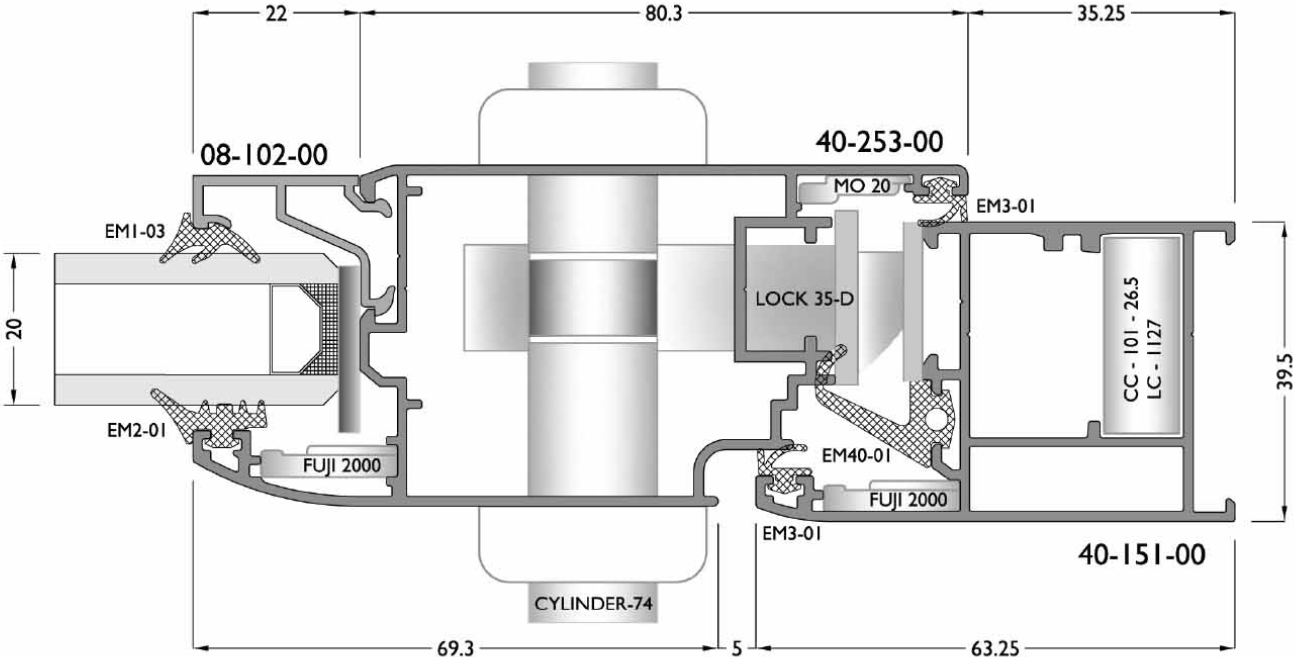


Outside Opening Door

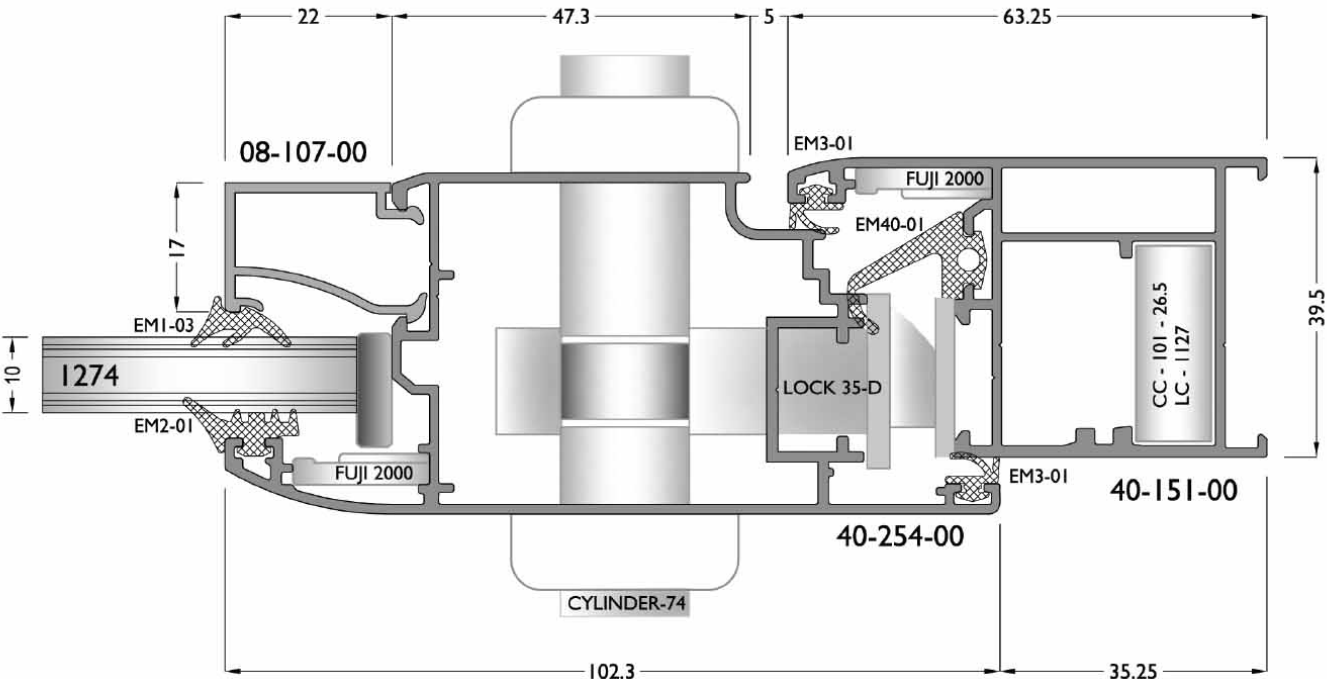




Inside Opening Door

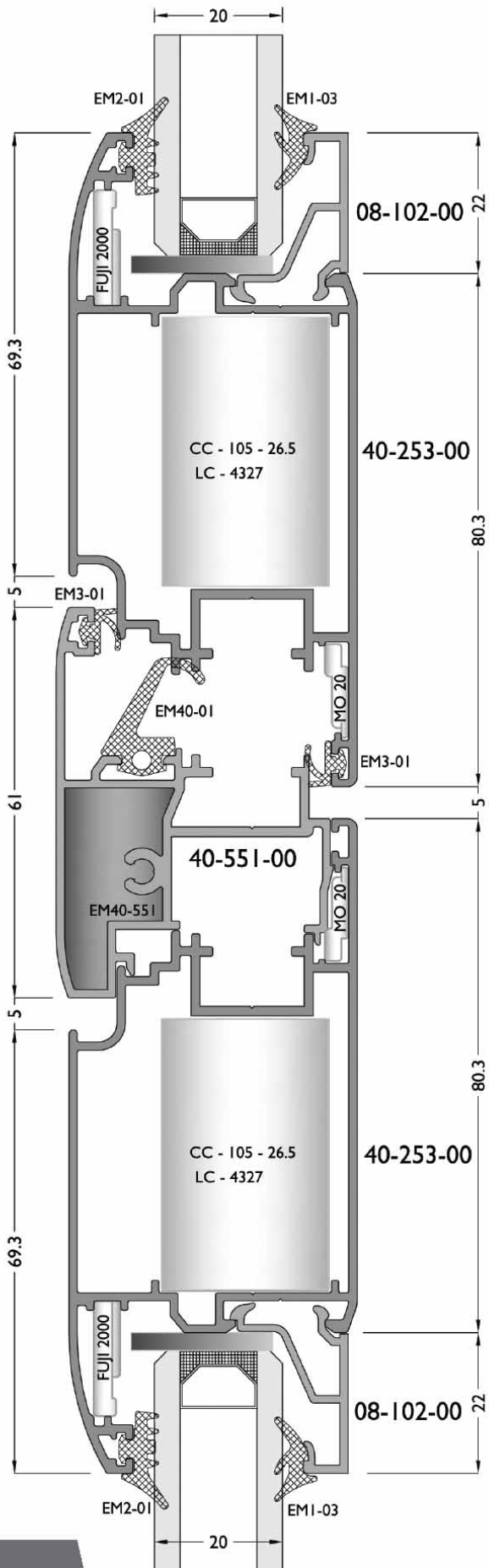


Outside Opening Door

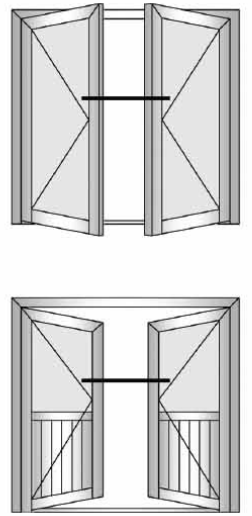
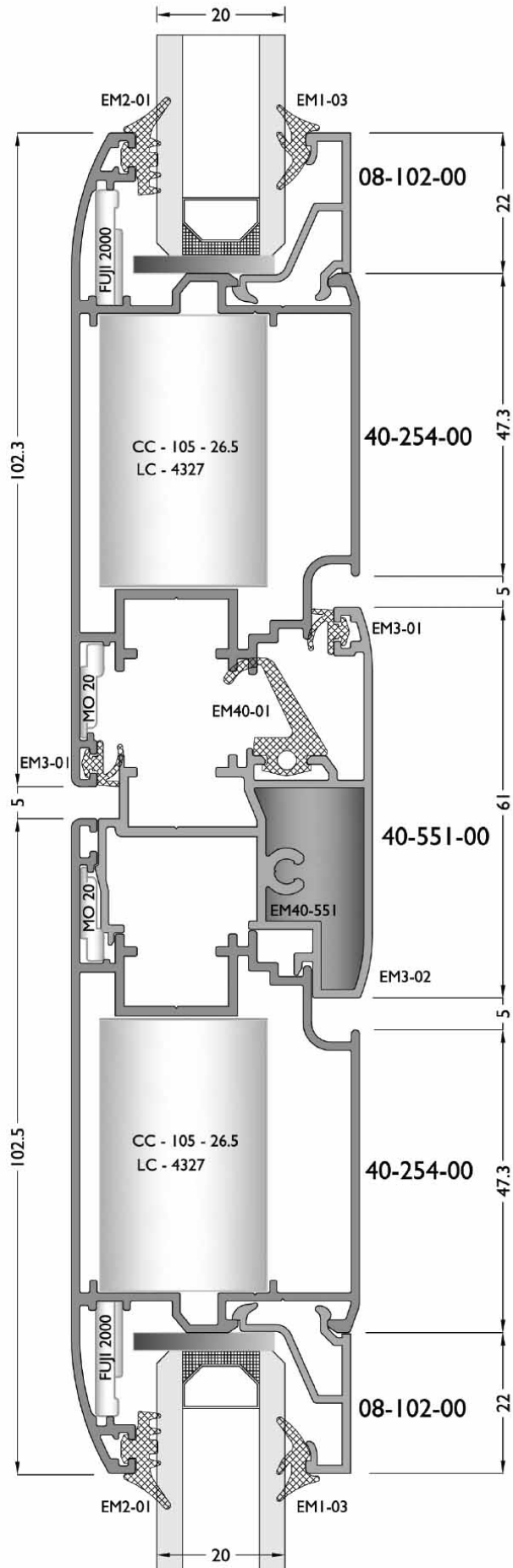


perimetric details

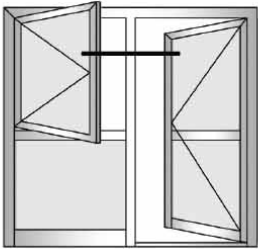
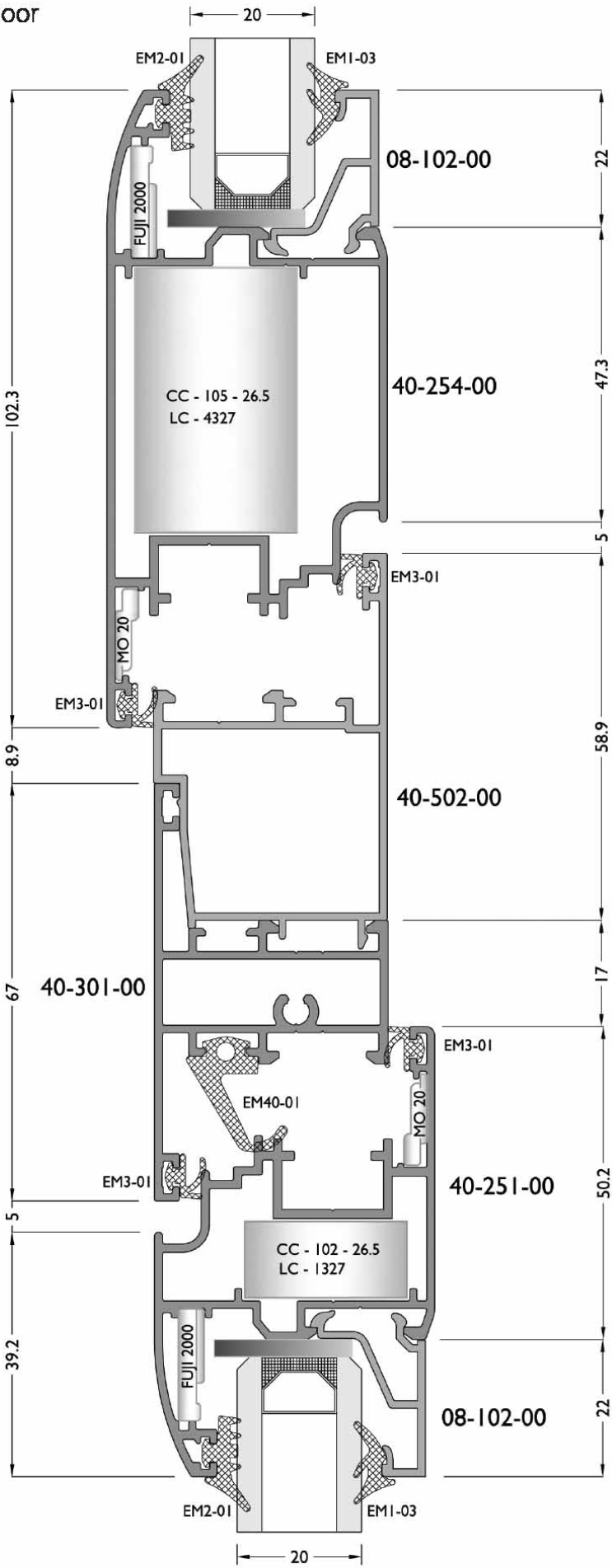
Inside Opening Door

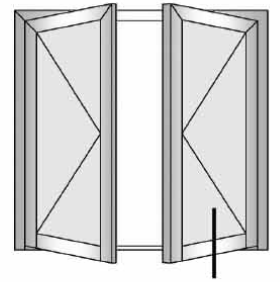


Outside Opening Door



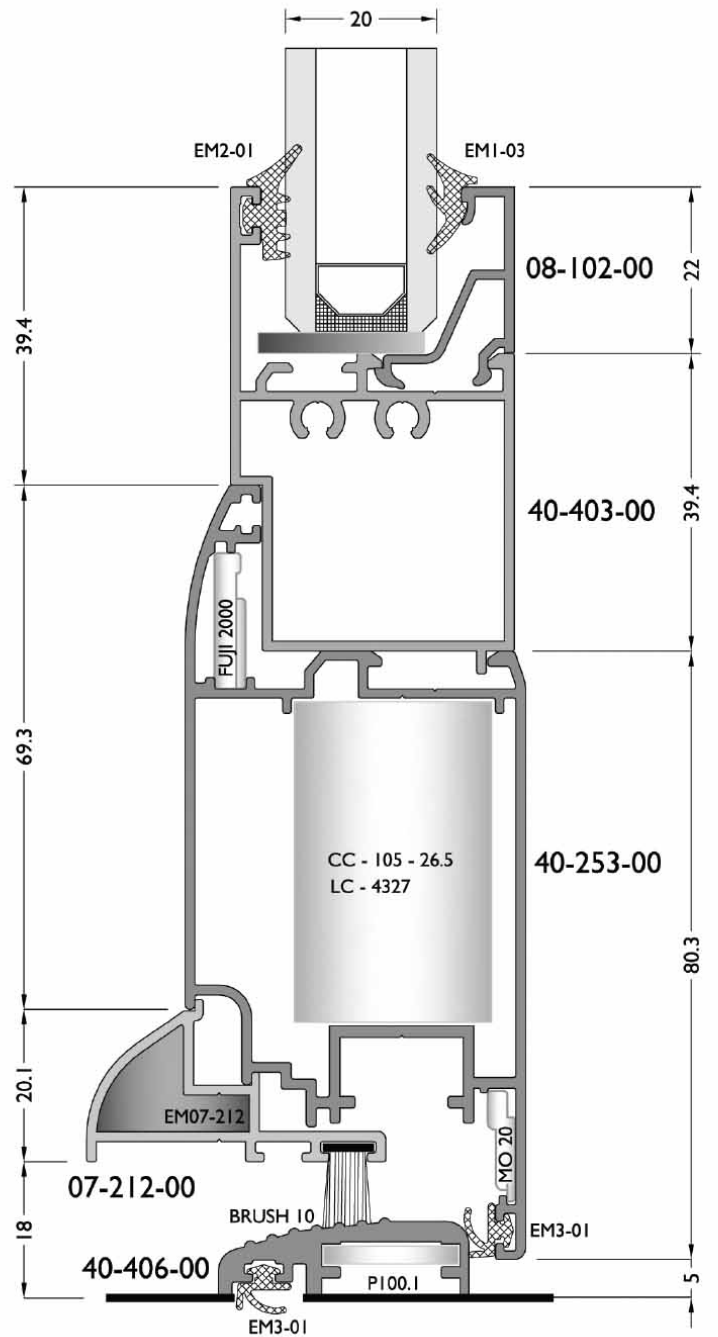
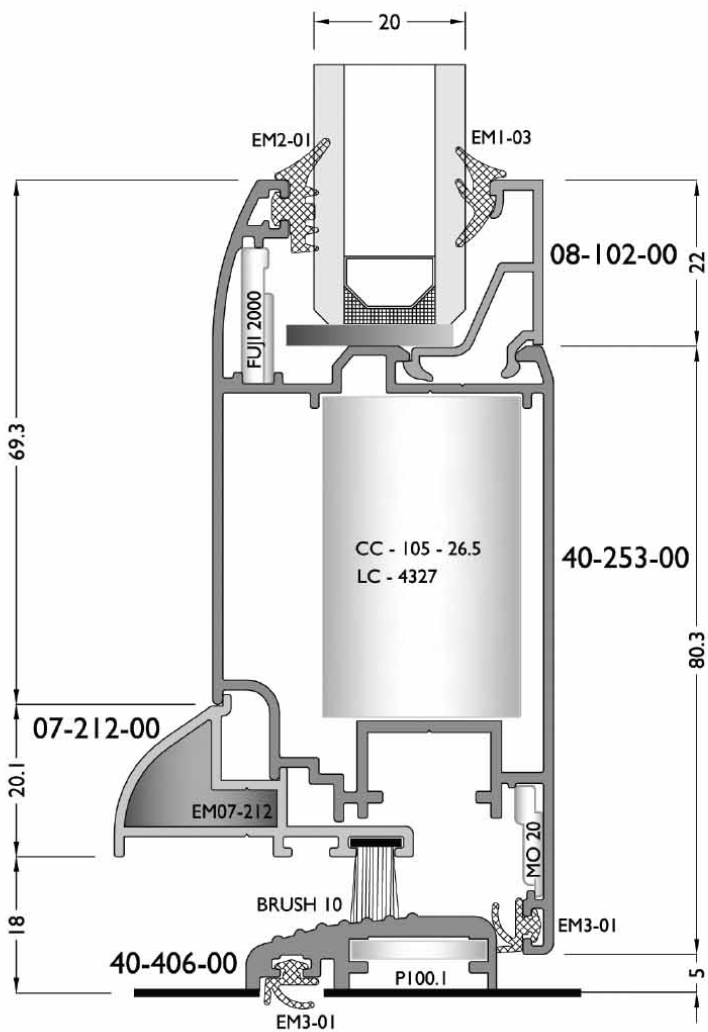
Inside Opening Door

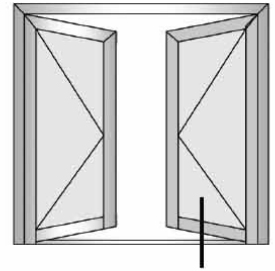




Outside Opening Door

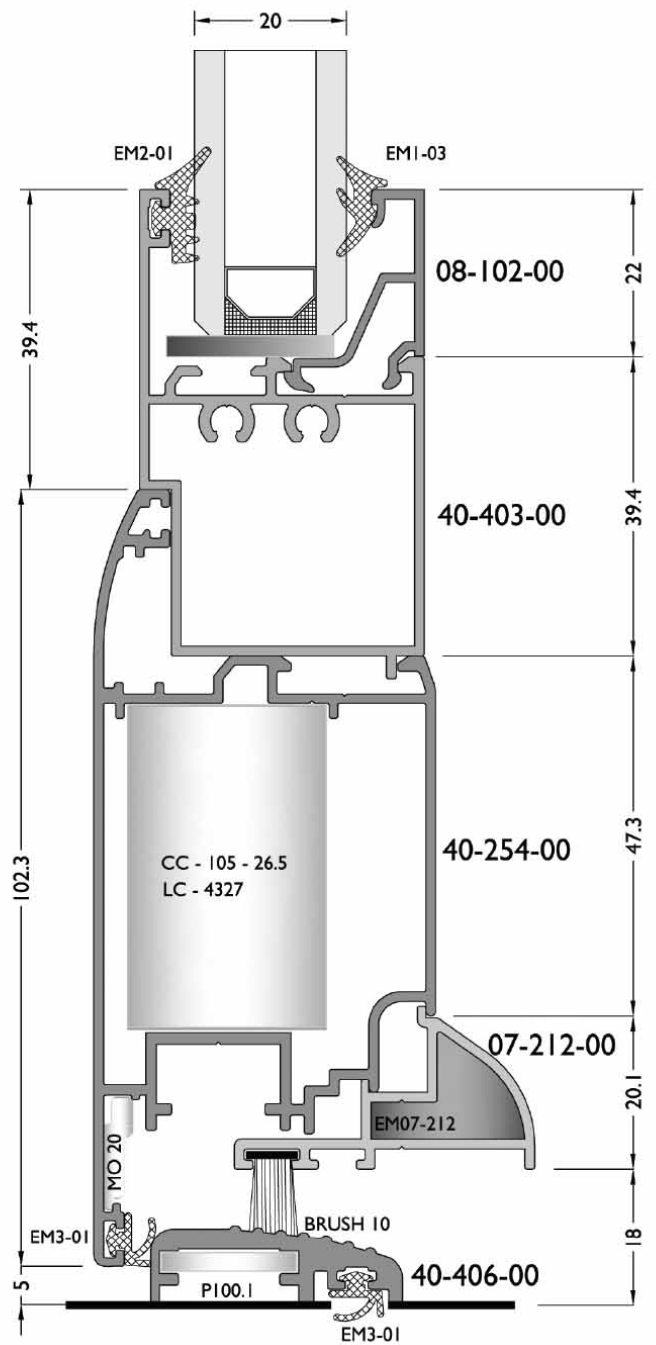
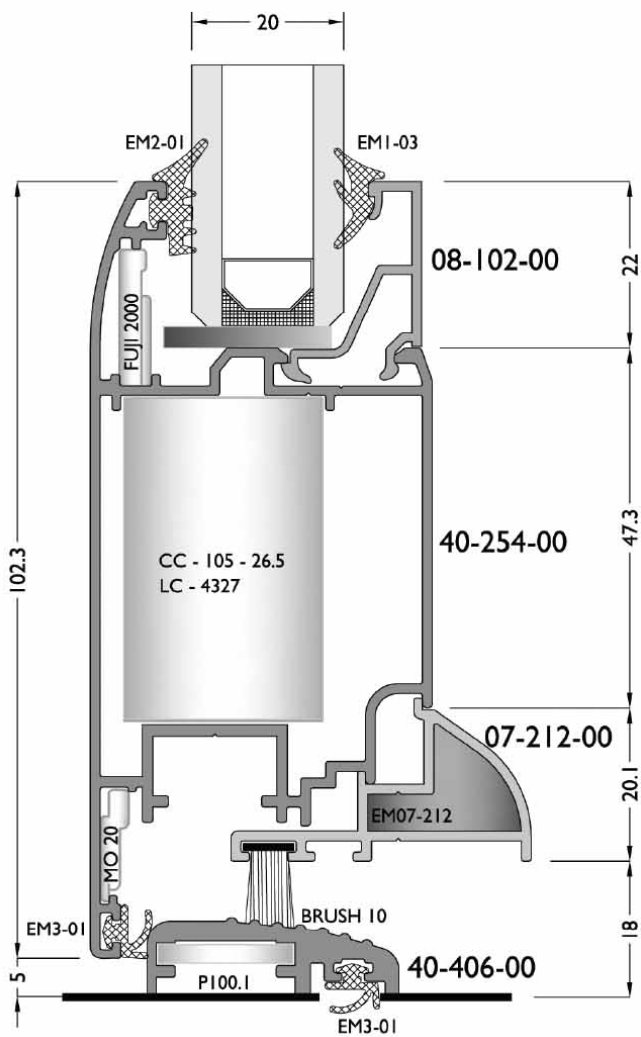
Inside Opening Door

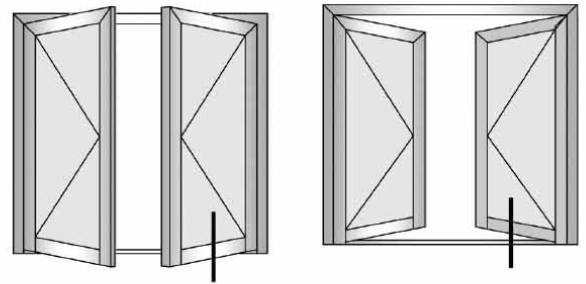




Outside Opening Door

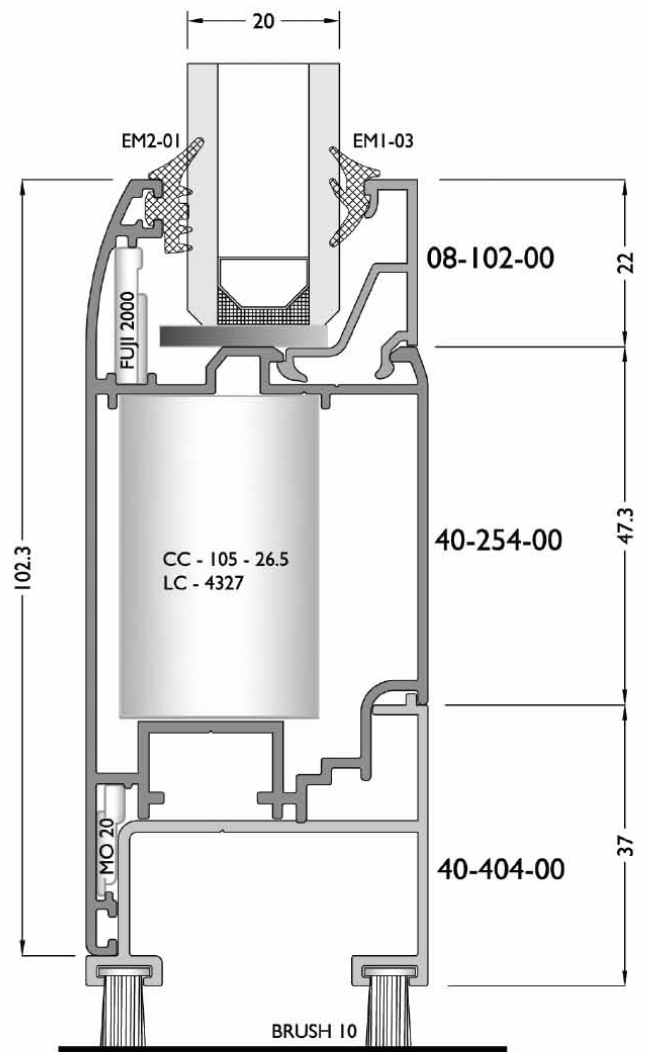
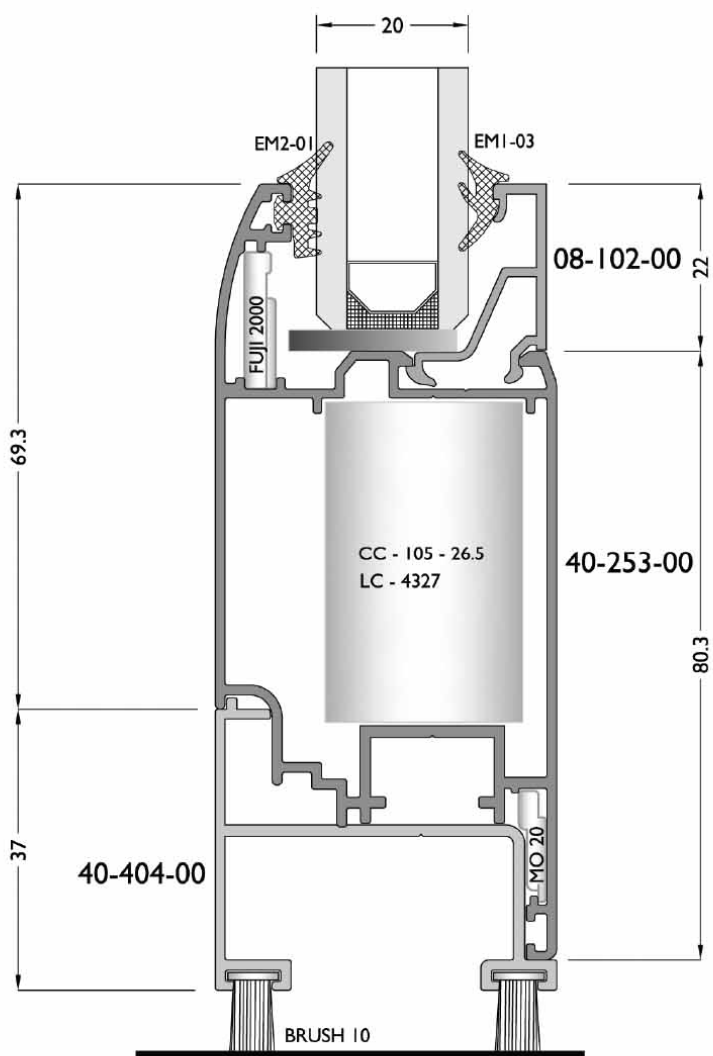
Inside Opening Door





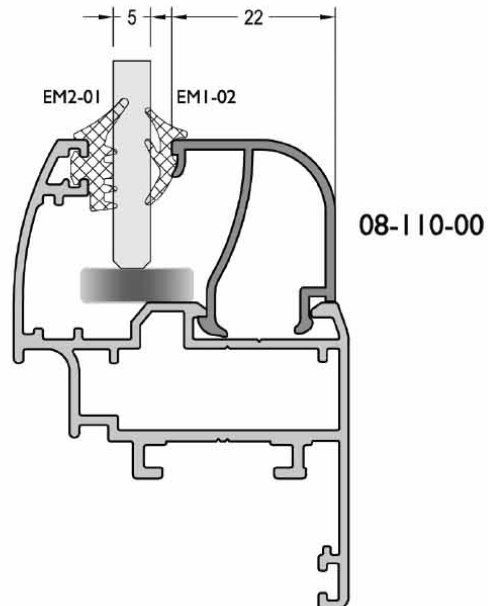
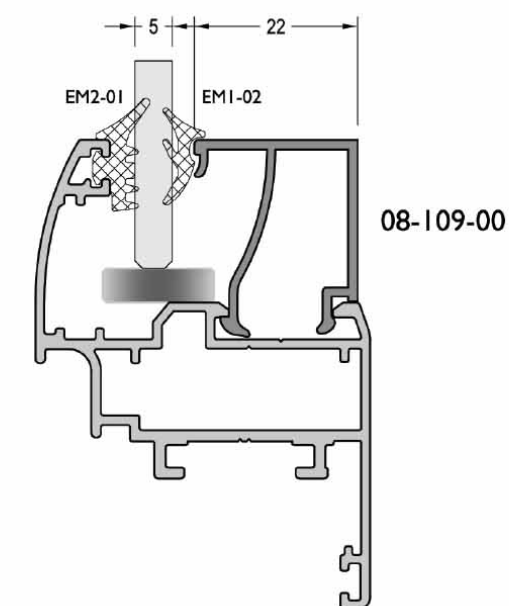
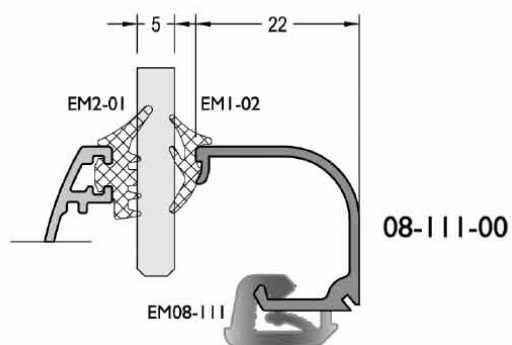
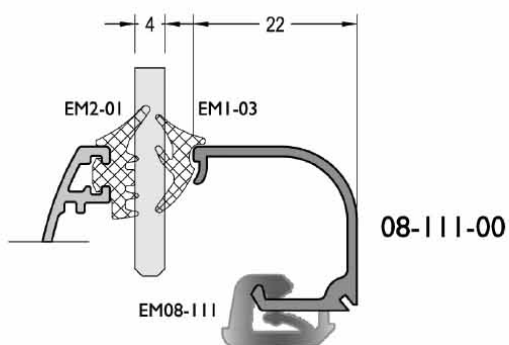
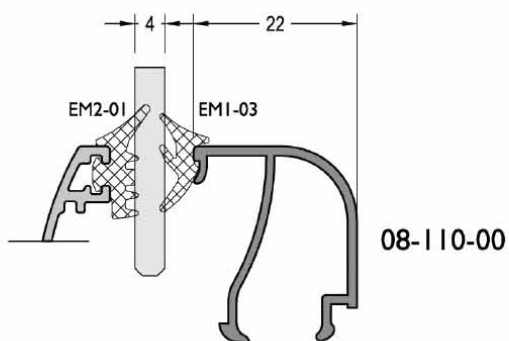
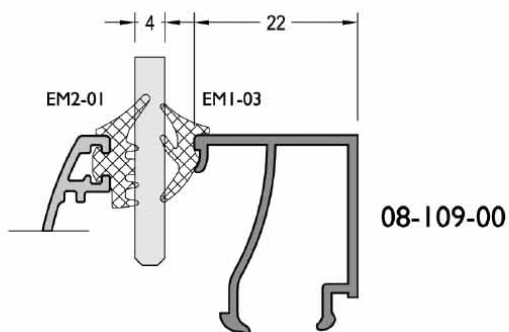
Inside Opening Door

Outside Opening Door

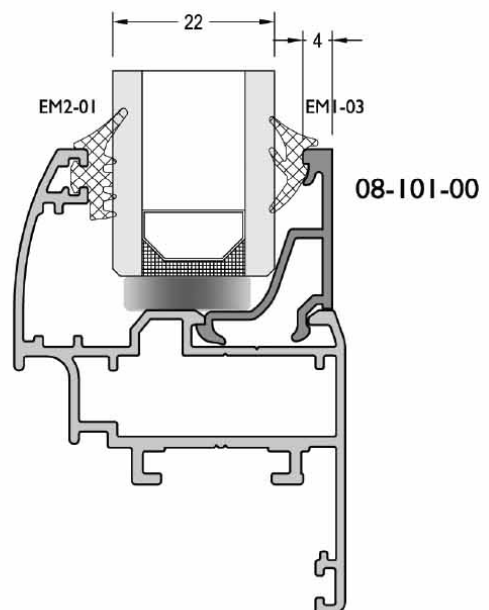
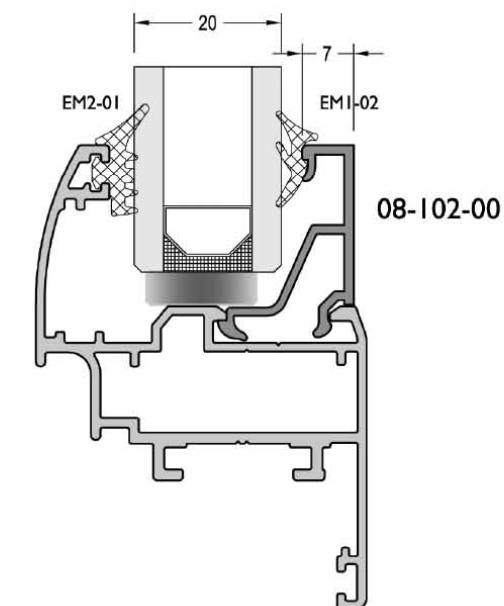
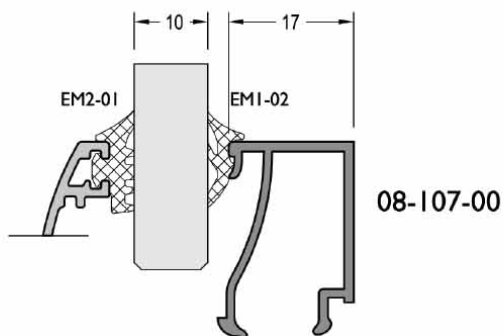
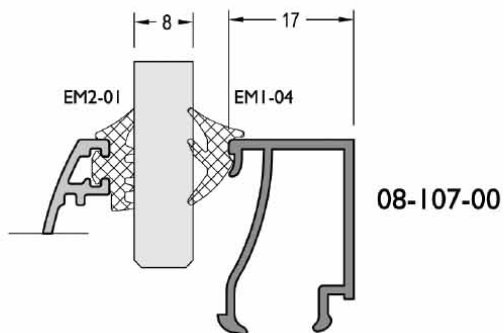
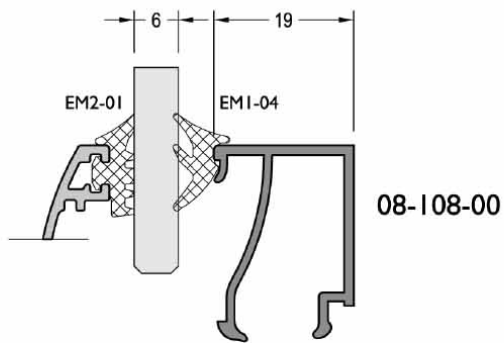


Glazing**table**

Glazing**table**



GLAZING THICKNESS	GLAZING GASKET INSIDE	GLAZING GASKET OUTSIDE	GLAZING BEAD
4 mm	EM1-03	EM2-01	08-109-00
4 mm	EM1-03	EM2-01	08-110-00
4 mm	EM1-03	EM2-01	08-111-00
5 mm	EM1-02	EM2-01	08-109-00
5 mm	EM1-02	EM2-01	08-110-00
5 mm	EM1-02	EM2-01	08-111-00


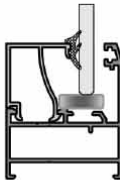



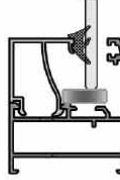

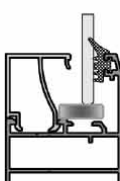

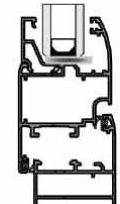




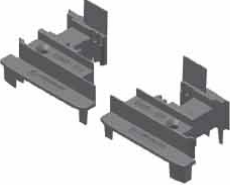
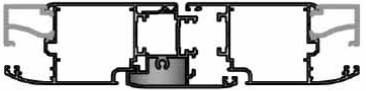


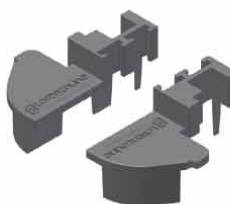
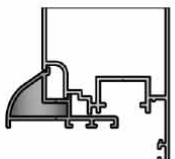

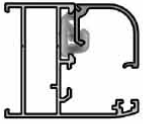
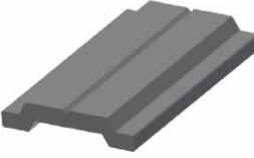
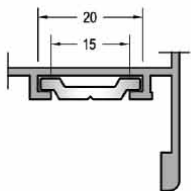

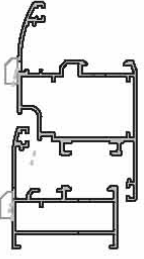
GLAZING THICKNESS	GLAZING GASKET INSIDE	GLAZING GASKET OUTSIDE	GLAZING BEAD
6 mm	EM1-04	EM2-01	08-108-00
8 mm	EM1-04	EM2-01	08-107-00
10 mm	EM1-02	EM2-01	08-107-00
20 mm	EM1-02	EM2-01	08-102-00
22 mm	EM1-03	EM2-01	08-101-00

Accessories


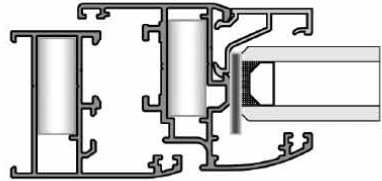

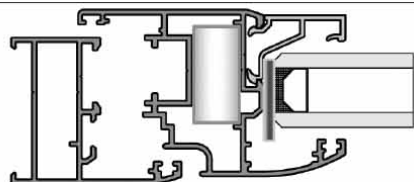
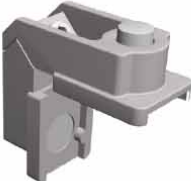
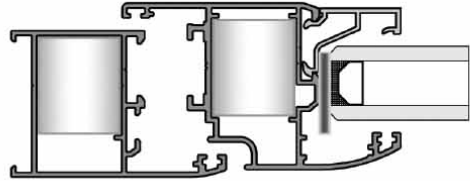

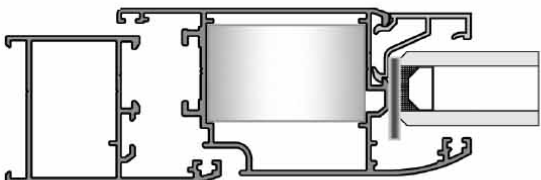

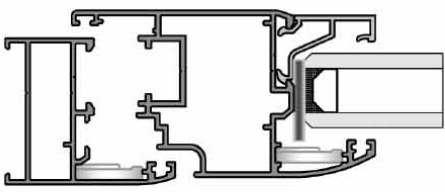
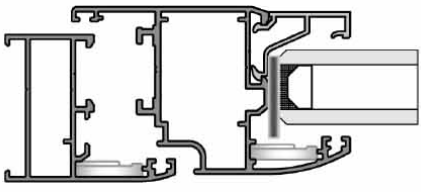
Accessories


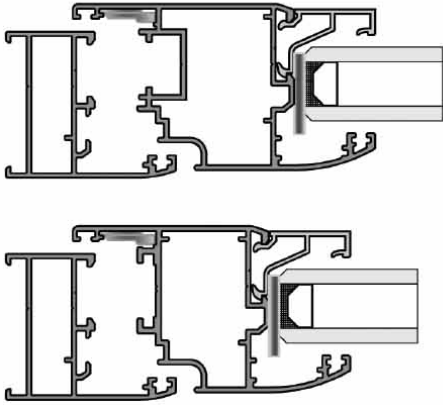

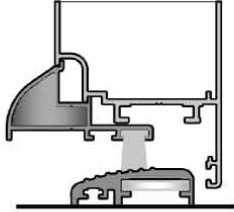

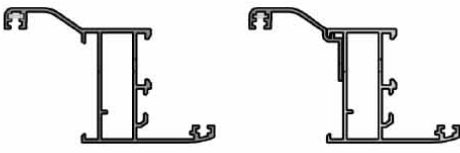

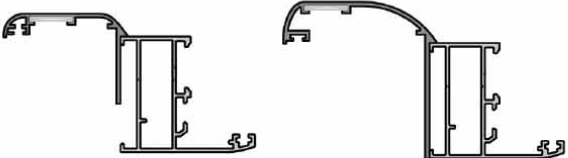
accessories

CODE	DRAWING	APPLICATION	DESCRIPTION	THEORETICAL WEIGHT kg/m	IN ONE PACKAGE
EM1-02			Glazing Gasket Inside (EPDM)	0.050	300 m
EM1-03			Glazing Gasket Inside (EPDM)	0.060	250 m
EM1-04			Glazing Gasket Inside (EPDM)	0.070	215 m
EM2-01			Glazing Gasket Outside (EPDM)	0.055	270 m
EM3-01			Acoustical Gasket (EPDM)	0.032	465 m
EM40-01			Central Gasket (EPDM)	0.115	130 m

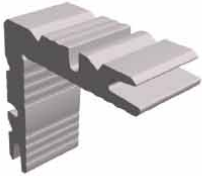
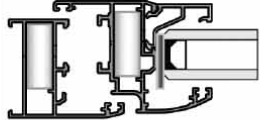
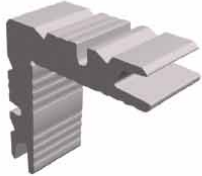
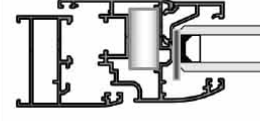
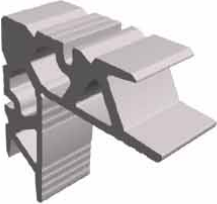
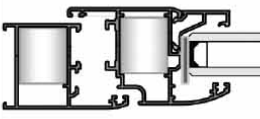
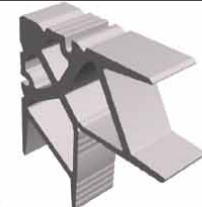
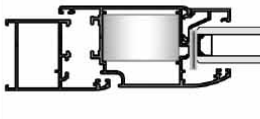
ACCESSORY CODE	DRAWING	APPLICATION PROFILES	APPLICATION DETAIL
EM40-501 ALUminium		40C-501-00	
EM40-551 PERImetric		40C-551-00	
EM07-212		07-212-00	
EM08-111		08-111-00	
EM15-200		ROD PROFILE (Euro Section 1)	
EM10-01 (White)		Drainage Cap	
EM10-02 (Black)			
EM10-03 (Brown)			
EM10-04 (Gray)			
EM10-05 (Light Brown)			

accessories

ACCESSORY CODE	DRAWING	APPLICATION PROFILES	APPLICATION DETAIL
LC-1127		40C-101-00	
		40C-102-00	
		40C-105-00	
		40C-151-00	
		40C-201-00	
		40C-202-00	
LC-1327		40C-251-00	
LC-2327		40C-103-00	
		40C-104-00	
		40C-106-00	
		40C-203-00	
		40C-206-00	
		40C-209-00	
		40C-210-00	
		40C-252-00	
40C-302-00			
LC-4327		40C-204-00	
		40C-205-00	
		40C-253-00	
		40C-254-00	
FUJI 2000		40C-101-00	
		40C-102-00	
		40C-103-00	
		40C-104-00	
		40C-105-00	
		40C-106-00	
		40C-151-00	
		40C-201-00	
		40C-203-00	
		40C-204-00	
		40C-205-00	
		40C-210-00	
		40C-251-00	
		40C-252-00	
		40C-253-00	
		40C-254-00	
40C-302-00			
40C-502-00			

ACCESSORY CODE	DRAWING	APPLICATION PROFILES	APPLICATION DETAIL				
MO 20		40C-201-00 40C-202-00 40C-203-00 40C-204-00 40C-205-00 40C-206-00 40C-209-00 40C-210-00 40C-251-00 40C-252-00 40C-253-00 40C-254-00					
		P 100.1		40C-406-00			
		MO 19		40C-102-00 40C-106-00 07-101-00			
				MO 20.1		07-102-00 07-103-00	

accessories

PROFILE CODE	DRAWING	PACKAGE CODE	QUANTITY	CUTTING SIZE	APPLICATION PROFILES	APPLICATION DETAIL
09-101-00		CC-101-26.5	60 pieces	26.5 mm	40C-101-00	
					40C-102-00	
					40C-105-00	
					40C-151-00	
					40C-201-00	
					40C-202-00	
09-102-00		CC-102-26.5	60 pieces	26.5 mm	40C-251-00	
09-103-00		CC-103-26.5	50 pieces	26.5 mm	40C-103-00	
					40C-104-00	
					40C-106-00	
					40C-203-00	
					40C-206-00	
					40C-209-00	
					40C-210-00	
					40C-302-00	
09-105-00		CC-105-26.5	25 pieces	26.5 mm	40C-204-00	
					40C-205-00	
					40C-253-00	
					40C-254-00	

Special Extruded Corner Joint for Perimetric

09-156-00		CC-156-26.5	25 pieces	26.5 mm	40C-103-00	
					40C-104-00	
					40C-106-00	
					40C-252-00	
					40C-302-00	

Lorenzoline Punching Machine

Produce Code

LC01-01

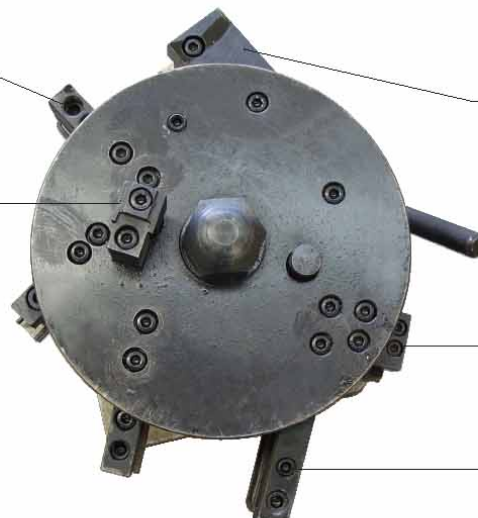
Ⓐ System 40C, 54T and 60T

Ⓓ Handle Slot

Ⓑ Indent Rod Profile Groove
For (EM15-200)

Ⓔ Arm

Ⓔ Drain Hole



Ⓒ System 40C, 54T and 60T

Use this tool 40C profiles without 40-105-00 profile

Ⓒ System 40C, 54T and 60T

Ⓒ System 40C, 54T and 60T



Ⓔ Arm

Ⓔ Drain Hole

Ⓓ Handle Slot

Ⓔ Arm

Ⓐ System 40C, 54T and 60T

Ⓕ Indent Rod Profile Groove

Ⓐ System 40C, 54T and 60T

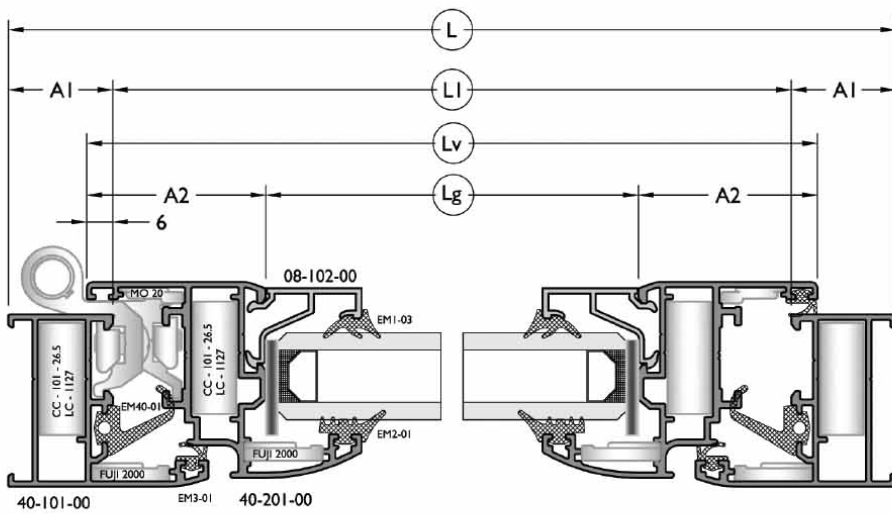
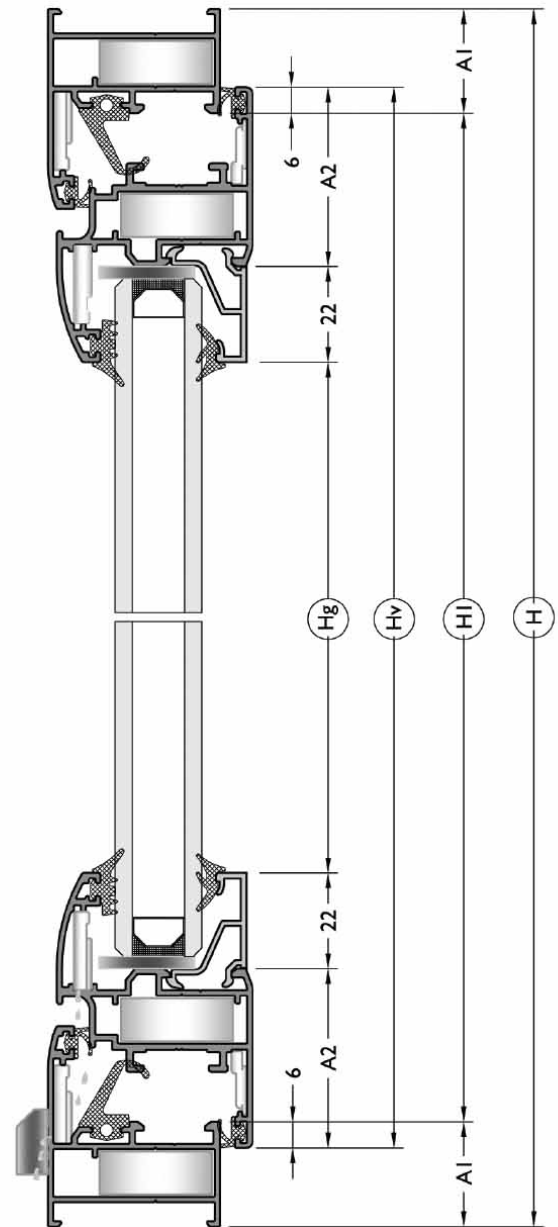
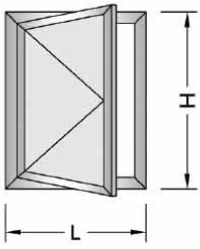
Ⓔ Arm



Cutting**s**izes

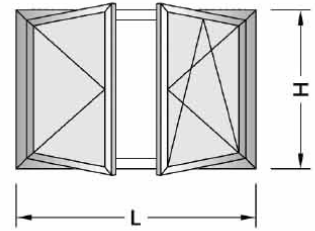
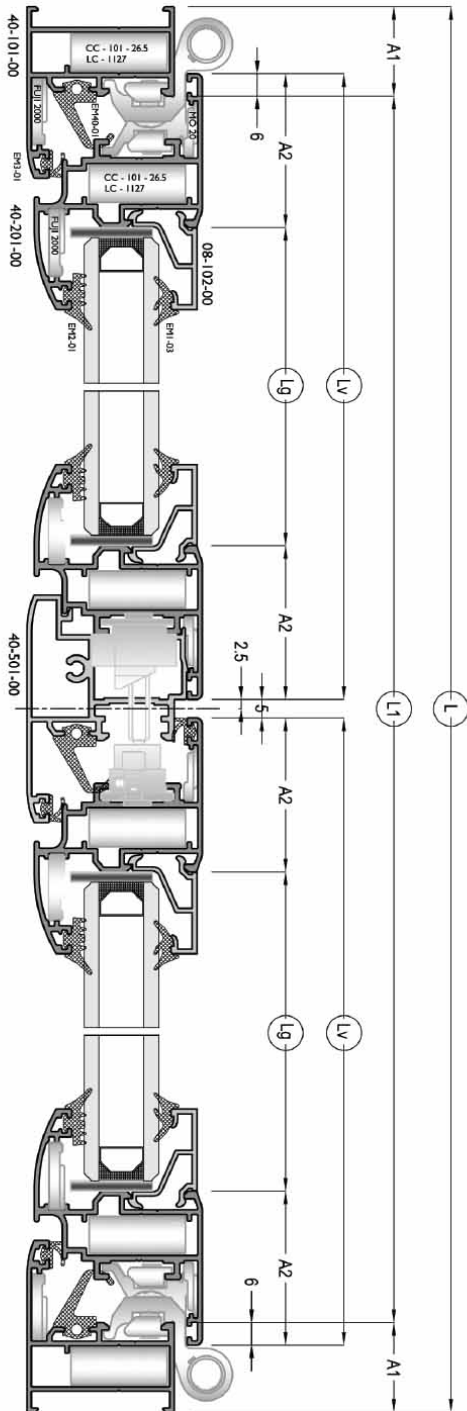
Cutting**s**izes

cuttingsize



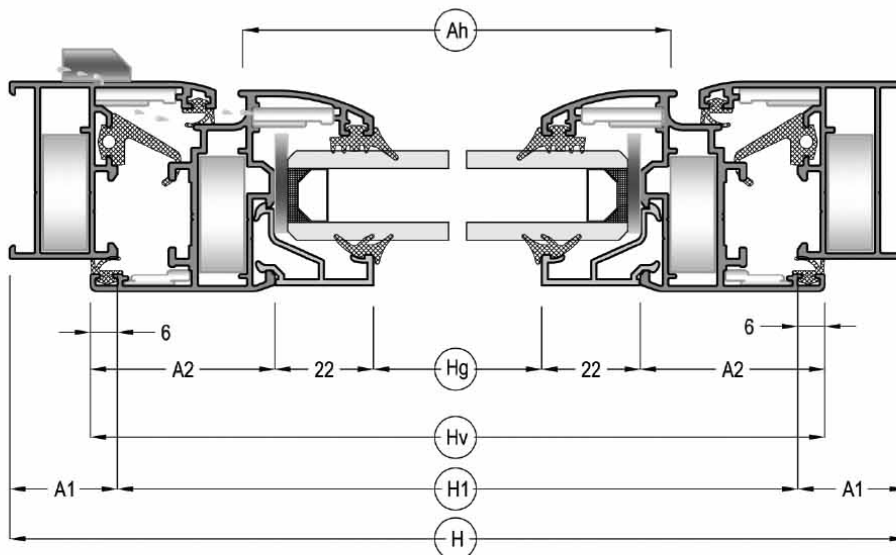
Profile	Cut	Quantity (pcs)	Dimensions (mm)
40C-101-00		2 pcs	L
		2 pcs	H
40C-201-00		2 pcs	$L_v = L - (A_1 + A_1) + 12$
		2 pcs	$H_v = H - (A_1 + A_1) + 12$
08-102-00		2 pcs	$L_g = L_v - (A_2 + A_2)$
		2 pcs	$H_g = H_v - (A_2 + A_2 + 22 + 22)$

Accessories	Quantity (pcs-m)	View
CC-101-26.5/LC 1127	8 pcs	
FUJI 2000	8 pcs	
MO 20	4 pcs	
EM40-01	2 Lv + 2 Hv	
EM1-03	2 Lg + 2 Hg	
EM2-01	2 Lg + 2 Hg	
EM3-01	(Lv + Hv) x 4	

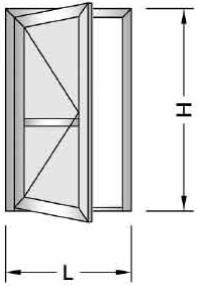


Profile	Cut	Quantity (pcs)	Dimensions (mm)
40C-101-00		2 pcs	L
		2 pcs	H
40C-201-00		4 pcs	$Lv = \frac{L-(A1+A1)+7}{2}$
		4 pcs	$Hv = H-(A1+A1)+12$
40C-501-00		1 pcs	$Ah = Hv-70$
08-102-00		2 pcs	$Lg = Lv-(A2+A2)$
		2 pcs	$Hg = Hv-(A2+A2+22+22)$

Accessories	Quantity (pcs-m)	View
CC-101-26.5/LC 1127	12 pcs	
FUJI 2000	12 pcs	
MO 20	8 pcs	
EM40-501	1 set	
EM40-01	4 Lv + 3 Hv	
EM1-03	4 Lg + 4 Hg	
EM2-01	4 Lg + 4 Hg	
EM3-01	4 Lv + 8 Hv	

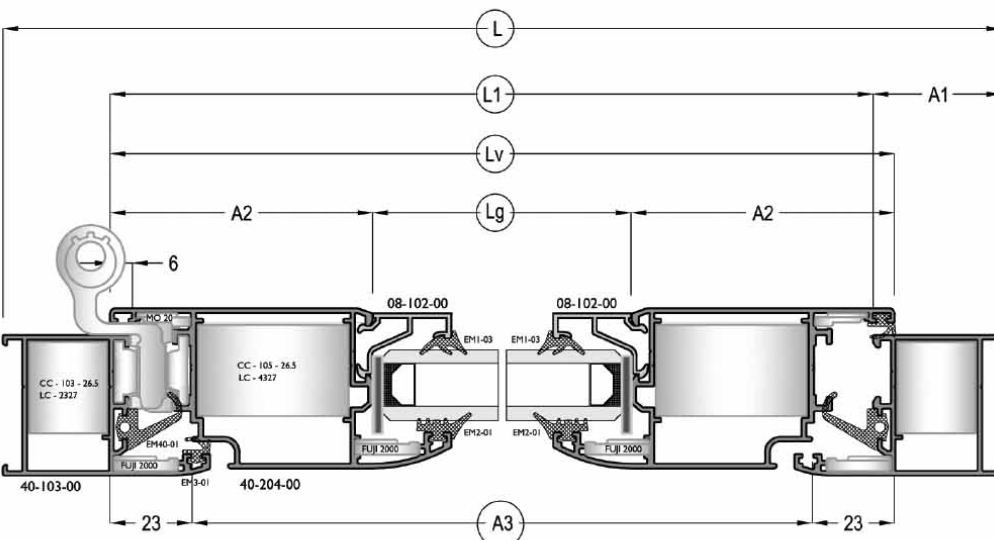
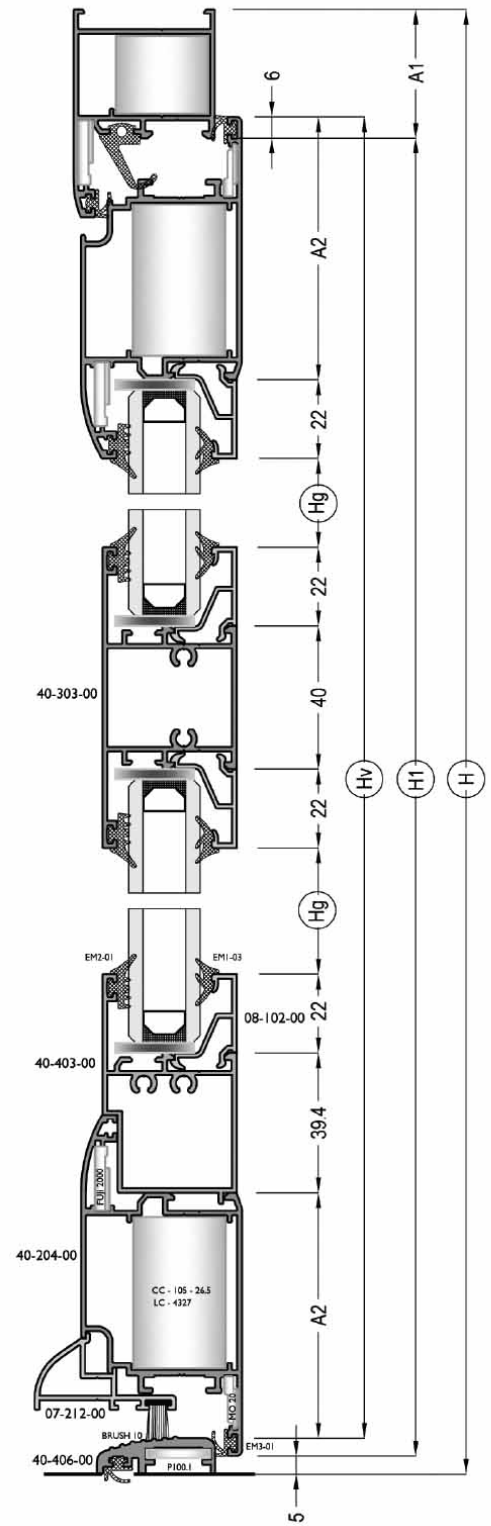


cuttingsize

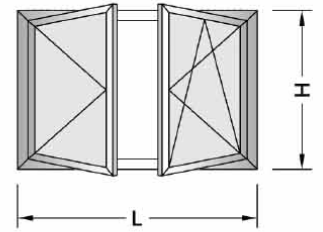
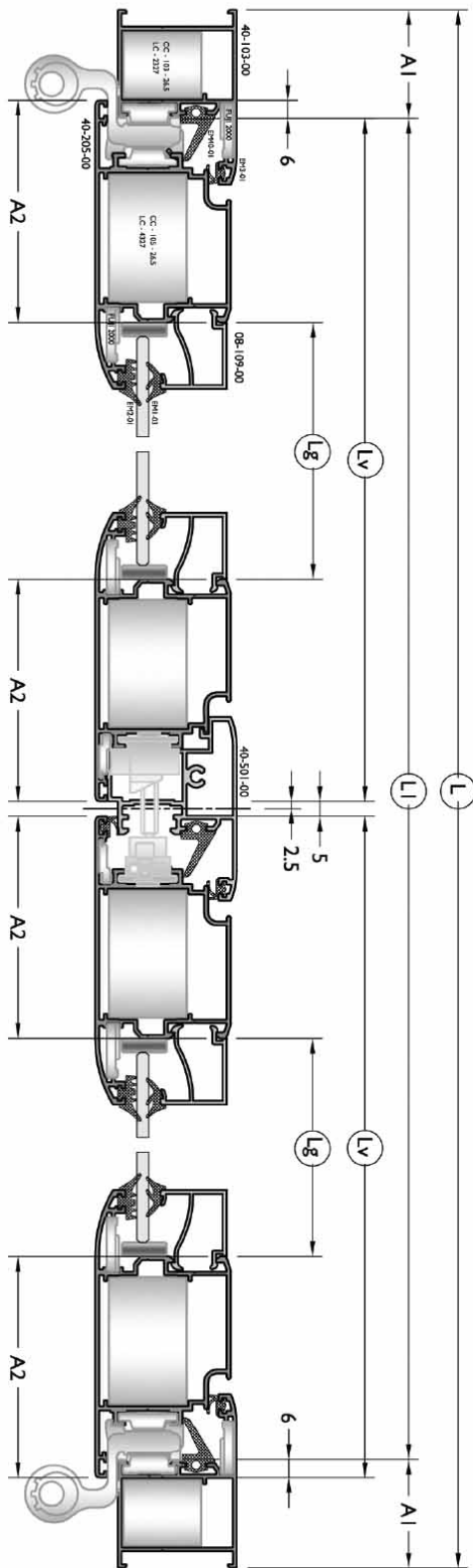


Profile	Cut	Quantity (pcs)	Dimensions (mm)
40C-103-00		1 pcs	L
		1 pcs	H
		1 pcs	H
40C-204-00		2 pcs	$L_v=L-(A_1+A_1)+12$
		2 pcs	$H_v=H-(A_1)+1$
08-102-00		2 pcs	$L_g=L_v-(A_2+A_2)$
		2 pcs	$H_g=H_v-(A_2+A_2+22+22)$
40C-303-00		1 pcs	$L_g=L_v-(A_2+A_2)$
40C-403-00		1 pcs	$L_g=L_v-(A_2+A_2)$
40C-406-00		1 pcs	$L_1=L-(A_1+A_1)$
07-212-00		1 pcs	$A_h=H_v-70$

Accessories	Quantity (pcs-m)	View
CC-103-26.5/LC 2327	2 pcs	
CC-105-28.5/LC 4327	4 pcs	
FUJI 2000	6 pcs	
MO 20	4 pcs	
P 100.1	2 pcs	
EM07-212	1 set	
EM40-01	1 Lv + 2 Hv	
EM1-03	4 Lg + 4 Hg	
EM2-01	4 Lg + 4 Hg	
EM3-01	4 Lv + 4 Hv	
BRUSH 10	A3	

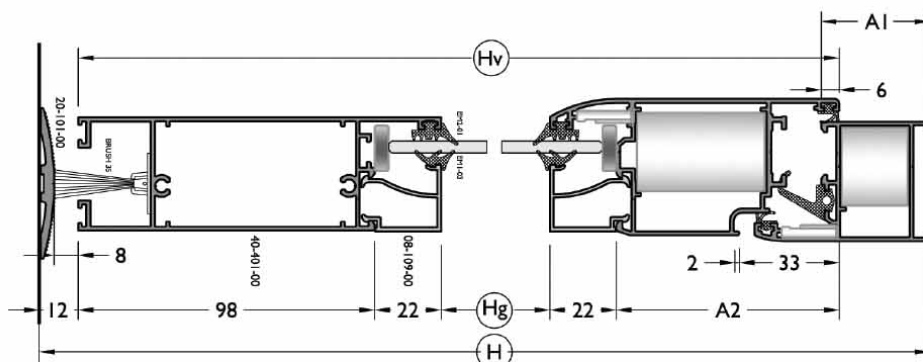


cuttingsize

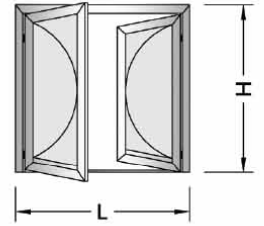
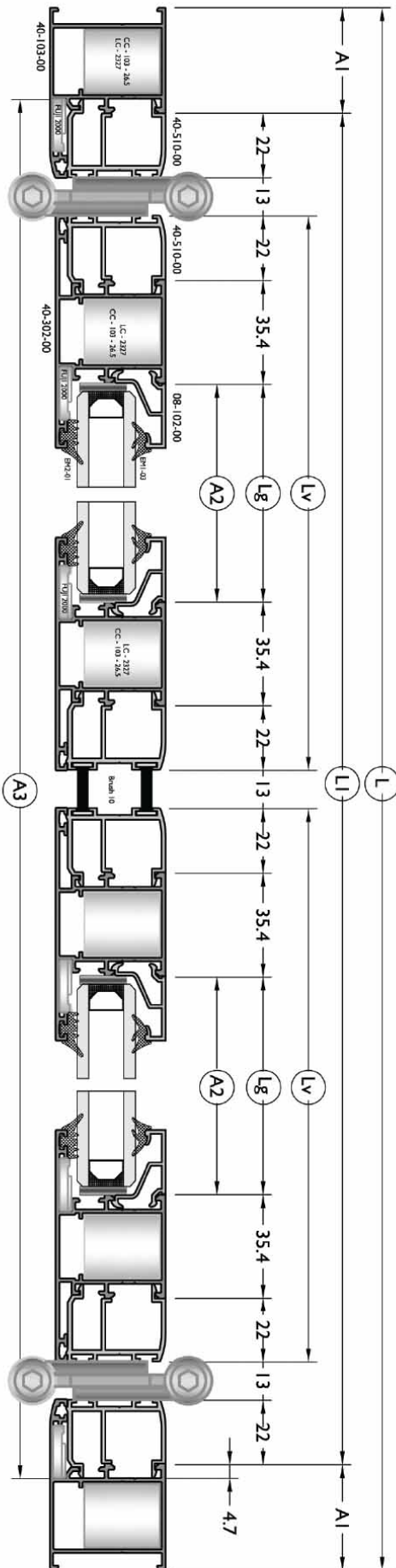


Profile	Cut	Quantity (pcs)	Dimensions (mm)
40C-103-00		1 pcs	L
		1 pcs	H
		1 pcs	H
40C-205-00		2 pcs	$L_v = \frac{L-(A_1+A_1)+7}{2}$
		2 pcs	$H_v = H - A_1 - 6$
		2 pcs	$H_v = H - A_1 - 6$
08-109-00		4 pcs	$L_g = L_v - (A_2 + A_2)$
		4 pcs	$H_g = H_v - (A_2 + 142)$
40C-501-00		1 pcs	$A_h = H_v - 35 - 12$
40C-401-00		2 pcs	$L_g = L_v - (A_2 + A_2)$
20-101-00		1 pcs	$L_1 = L - (A_1 + A_1)$

Accessories	Quantity (pcs-m)	View
CC-103-26.5/LC 2327	2 pcs	
CC-105-26.5/LC 4327	4 pcs	
FUJI 2000	10 pcs	
MO 20	8 pcs	
P 100.1	2 pcs	
EM4-501	1 set	
EM4-01	2 Lv + 3 Hv	
EM1-03	4 Lg + 4 Hg	
EM2-01	4 Lg + 4 Hg	
EM3-01	4 Lv + 6 Lv	
BRUSH 10	L1	

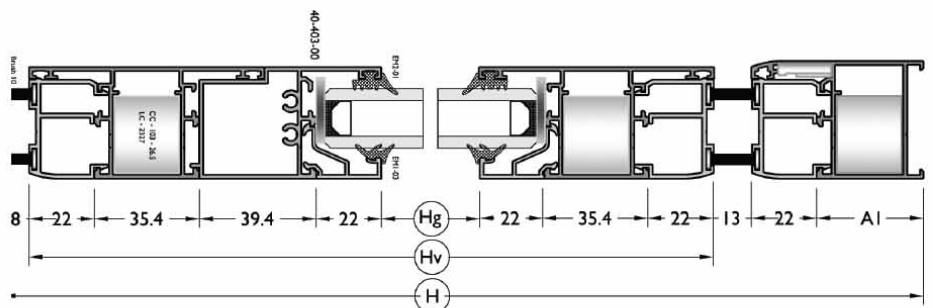


cuttingsize



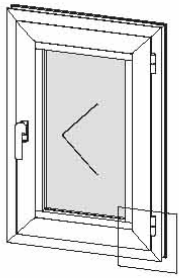
Profile	Cut	Quantity (pcs)	Dimensions (mm)
40C-103-00		1 pcs	L
		1 pcs	H
		1 pcs	H
40C-302-00		4 pcs	$Lv = \frac{L-2A1-83}{2}$
		4 pcs	$Hv = H - (A1 + 43)$
40C-510-00		1 pcs	$La = L - (A1 + A1) + 9.8$
		4 pcs	$Lv = \frac{L-2A1-83}{2}$
		1 pcs	$Ha = H - A1 + 4.9$
		1 pcs	$Ha = H - A1 + 4.9$
08-102-00		4 pcs	$Lg = Lv - 114.8$
		4 pcs	$Hg = Hv - 198.2$
40C-403-00		2 pcs	$Lg = Lv - 114.8$

Accessories	Quantity (pcs-m)	View
CC-103-26.5/LC 2327	10 pcs	
FUJI 2000	10 pcs	
EM1-03	4 Lg + 4 Hg	
EM2-01	4 Lg + 4 Hg	
BRUSH 10	12 Lv + 12 Hv + 78	

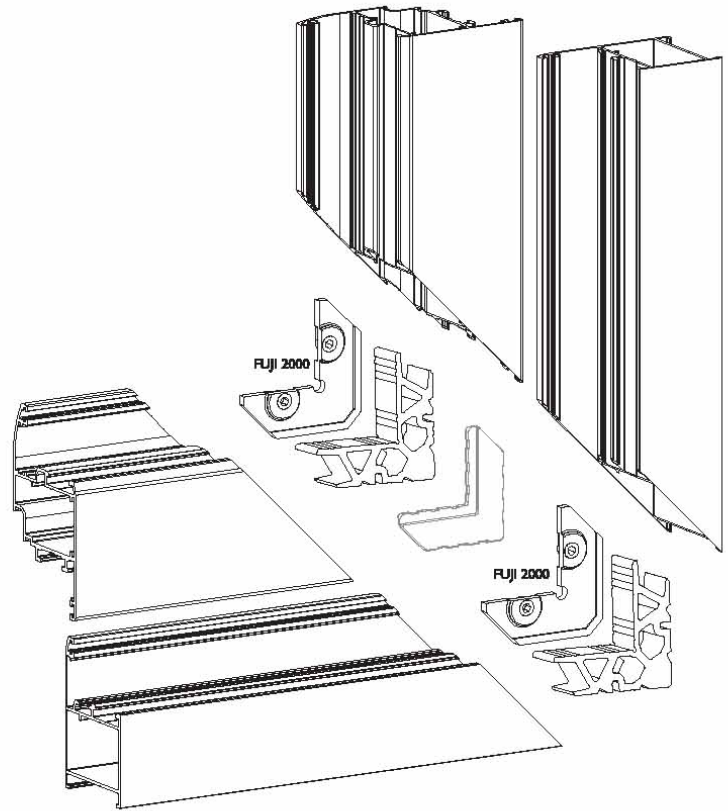


Assembly**drawings**

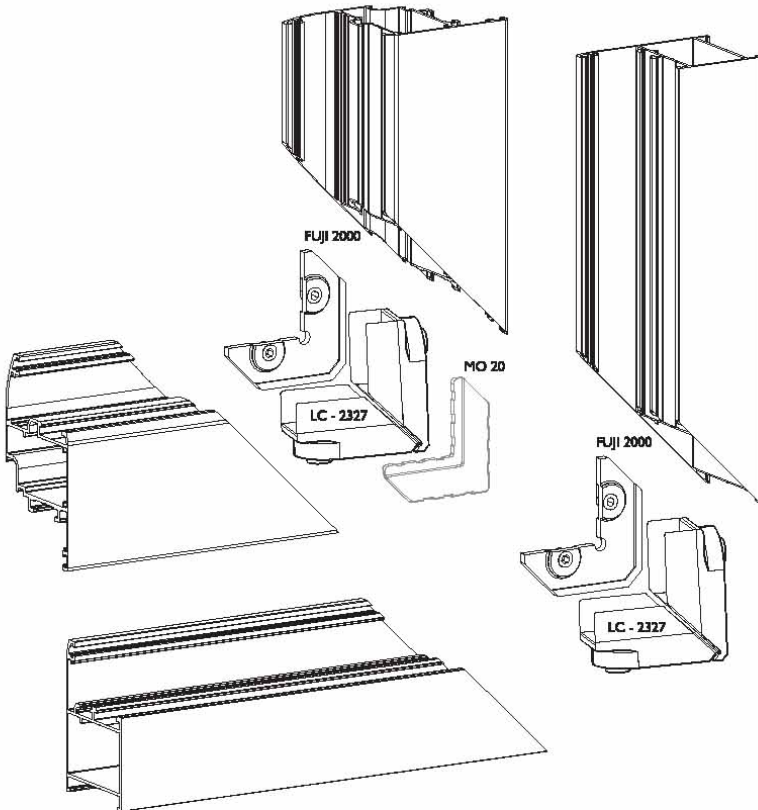
Assembly**drawings**



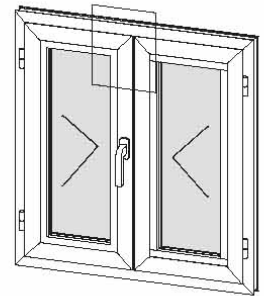
Corner Connection With Extruded Corner Joint



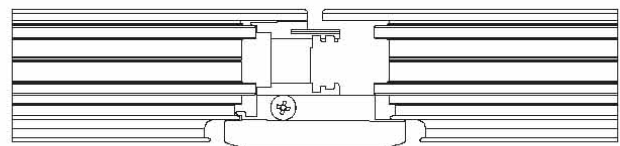
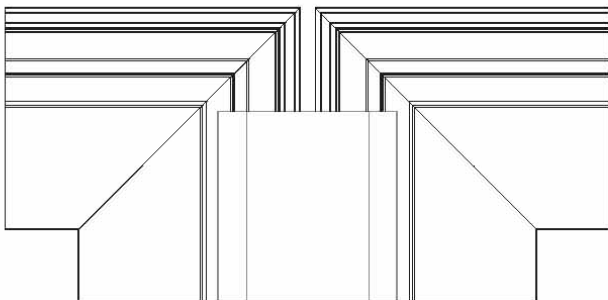
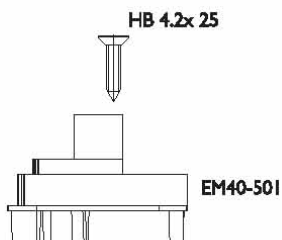
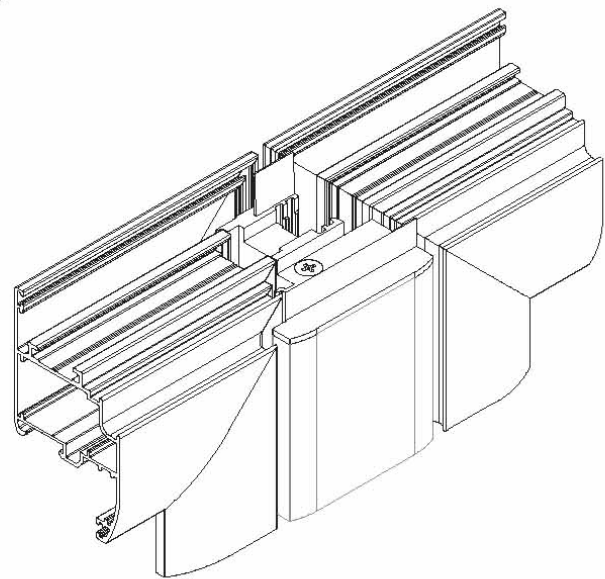
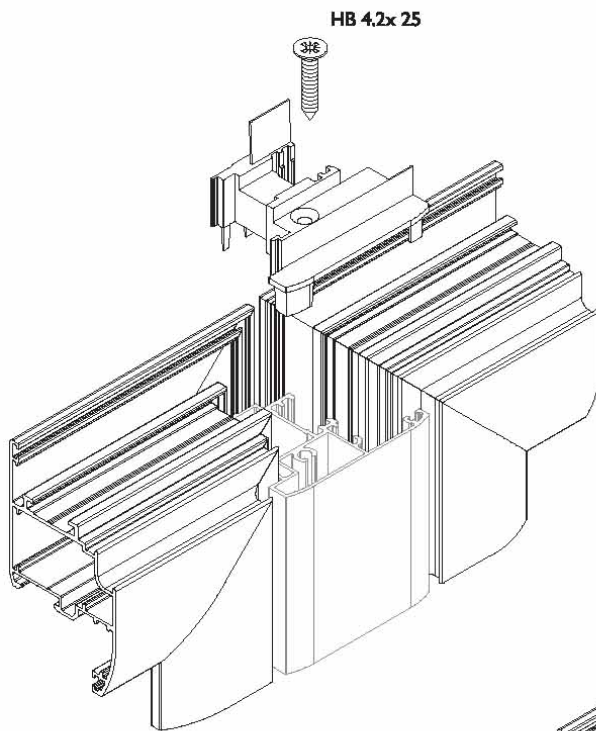
Corner Connection With Die-Cast Corner Joint



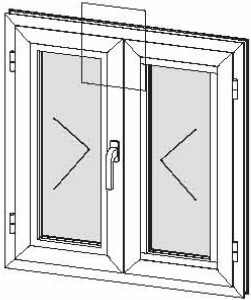
Aluminium



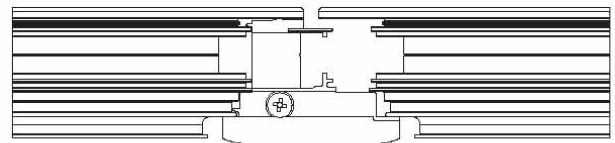
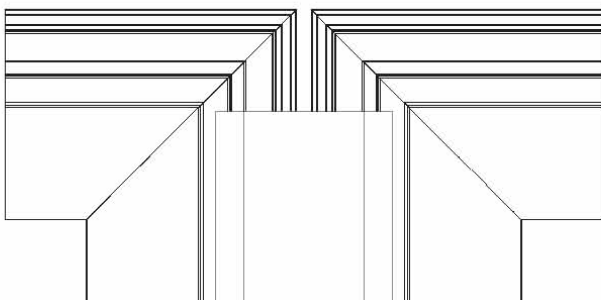
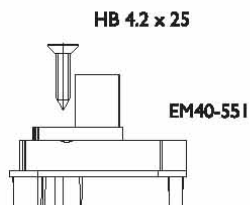
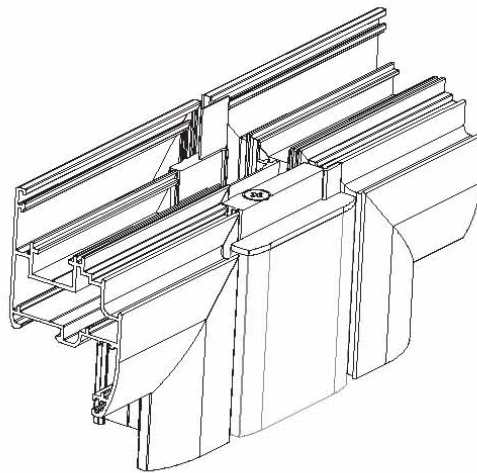
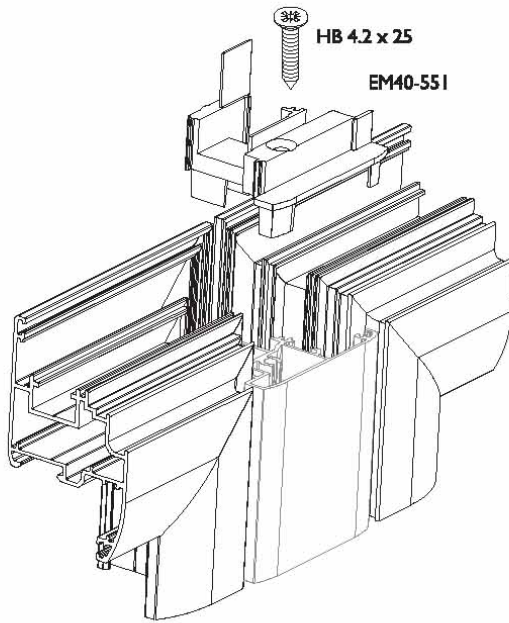
Two Sash Window & Door Cap Assembly



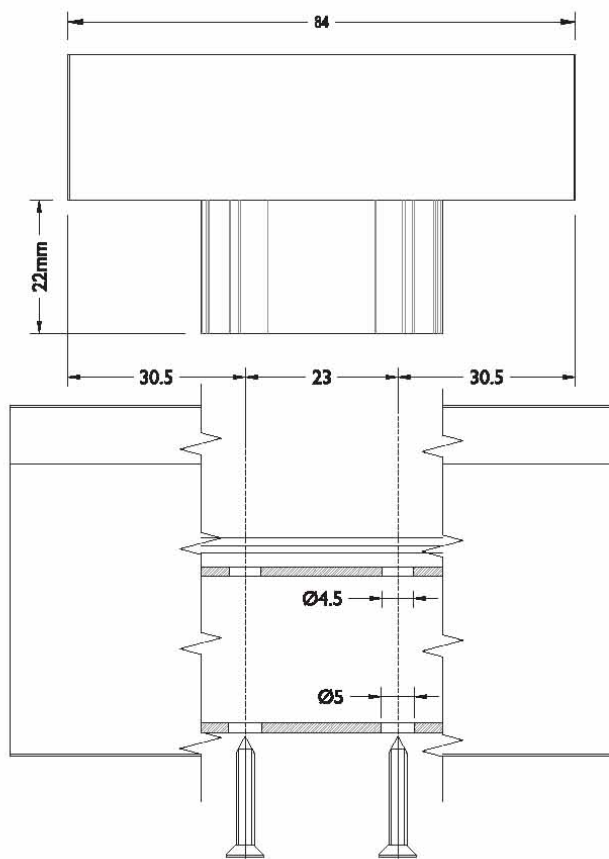
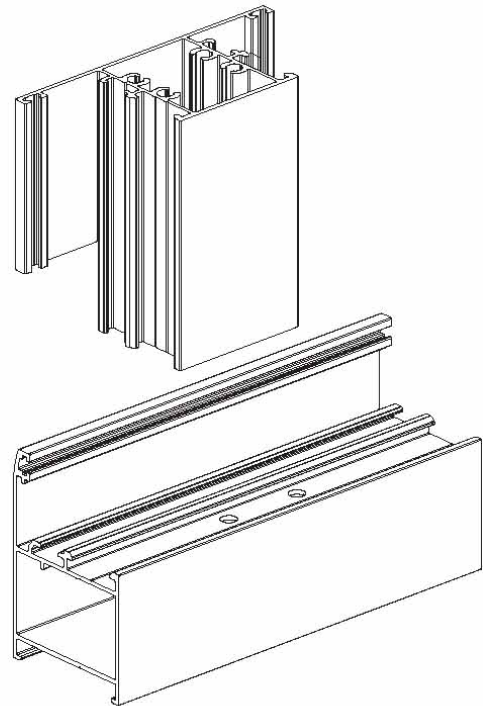
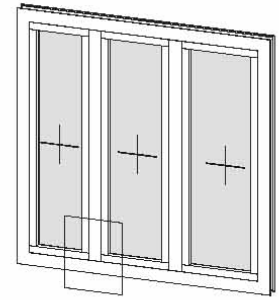
Perimetric



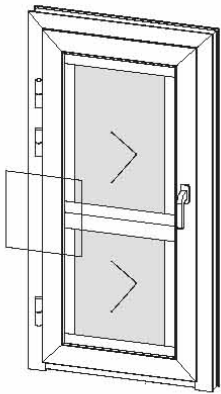
Two Sash Window & Door Cap Assembly



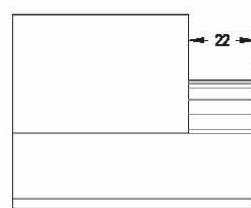
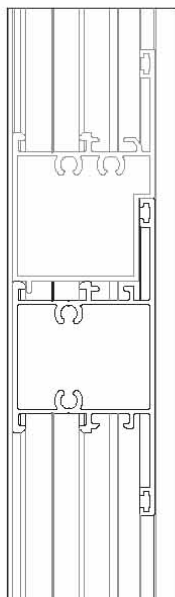
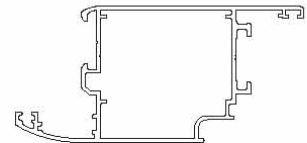
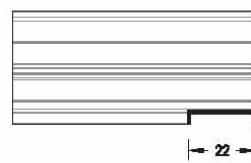
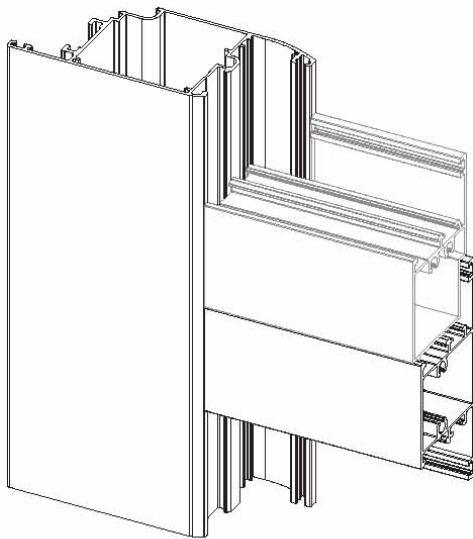
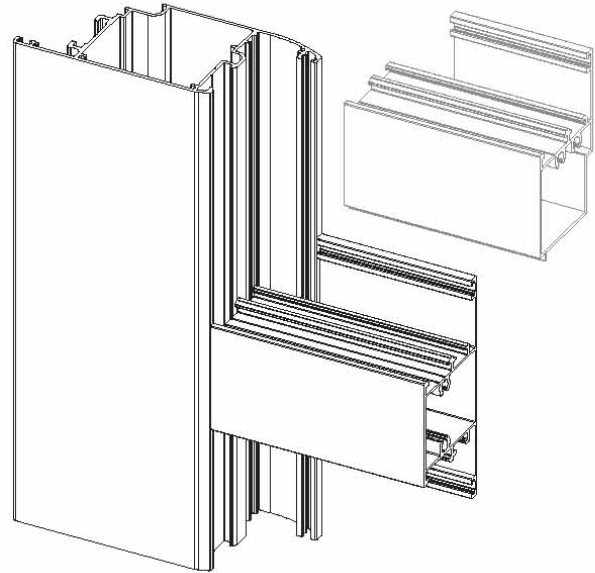
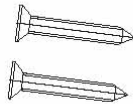
Mullion Connection Assembly



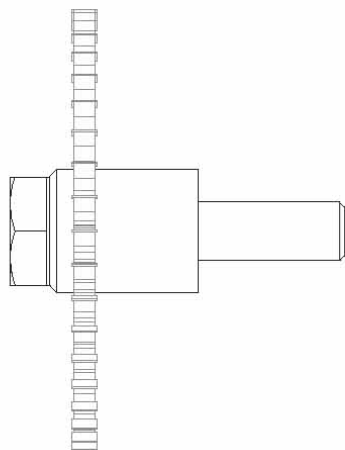
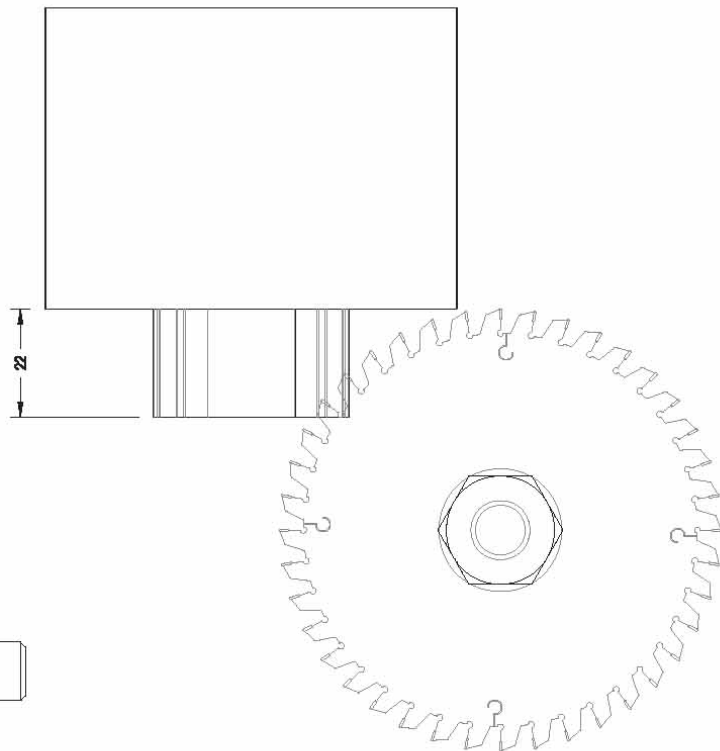
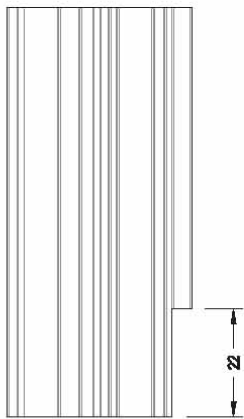
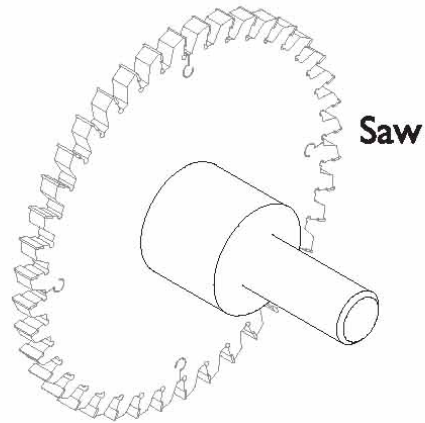
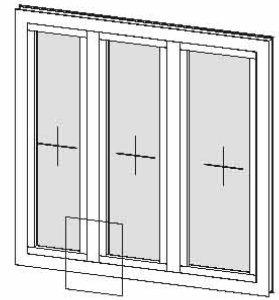
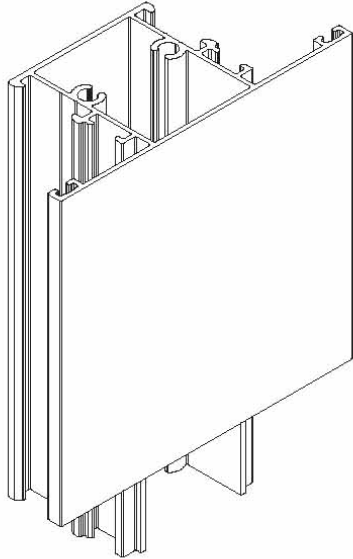
HB 4.8x 50

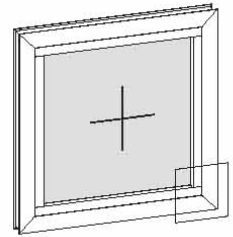


HB 4.8x 50

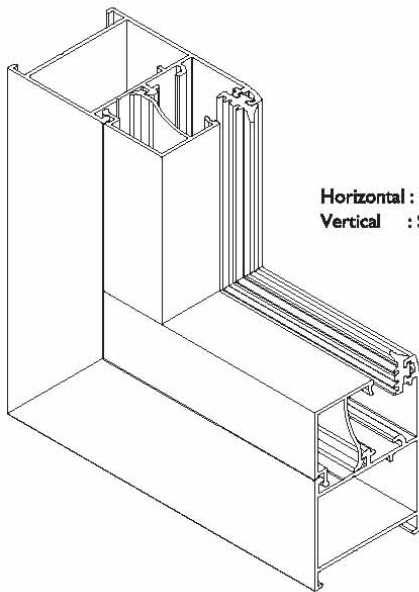


Mullion Cutting Knife Detail

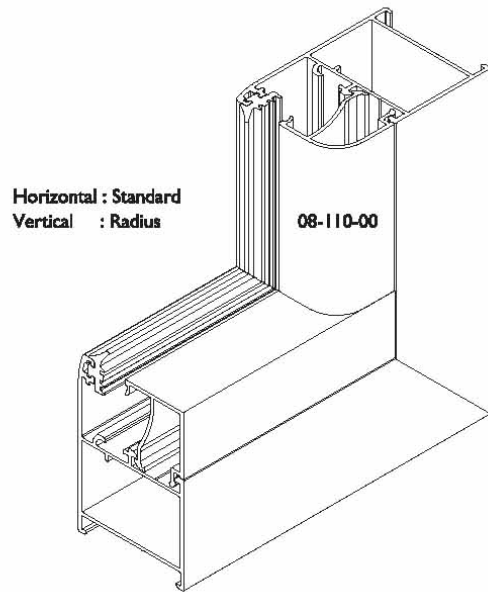




Glazing Bead Corner Types

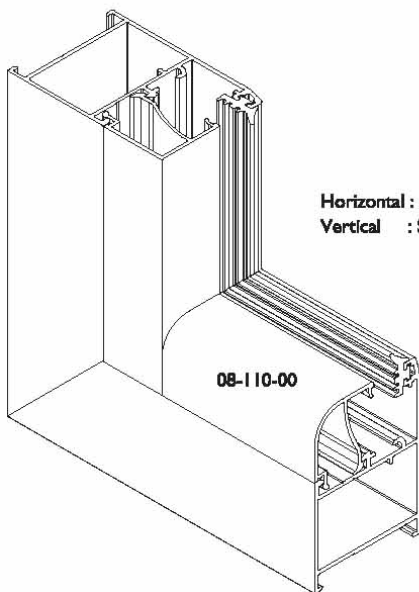


Horizontal : Standard
Vertical : Standard



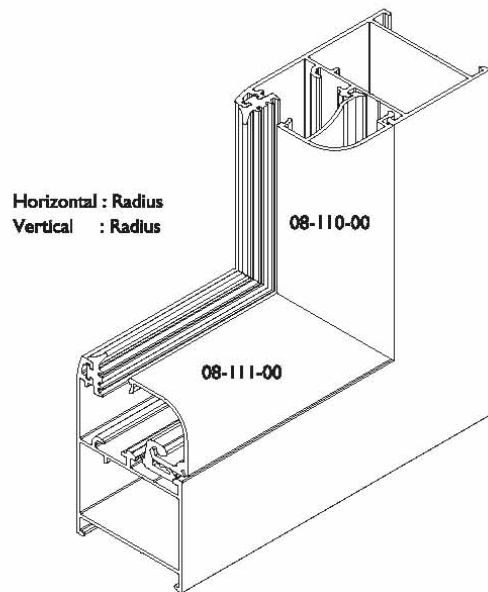
Horizontal : Standard
Vertical : Radius

08-110-00



Horizontal : Radius
Vertical : Standard

08-110-00



Horizontal : Radius
Vertical : Radius

08-110-00

08-111-00



KURTOĞLU BAKIR KURŞUN SANAYİ A.Ş.

Velimeşe Organize Sanayi Bölgesi Akbayır Yolu
Küme Evler No: 81 Ergene 59851 Tekirdağ / Türkiye
T: 0 282 684 70 00 F: 0 282 684 70 01
www.kurtogluas.com