

EDITION / VERSİYON  
UPDATE / GÜNCELLEME

07/2010  
01/2021

WINDOW AND DOOR  
PENCERE VE KAPI  
**SYSTEM 47C**  
SİSTEM 47C



# WINDOW AND DOOR PENCERE VE KAPI

## SYSTEM 47C SİSTEM 47C



### TECHNICAL INFORMATIONS / TEKNİK AÇIKLAMALAR

#### System Properties / Sistem Özellikleri

Modern Design / Modern Dizayn  
Wall Thickness / Et Kalınlığı : 1.5 mm  
Vent Height / Kanat Geniřlięi : 47 mm  
Isolation Bar / Isı Bariyeri : 55 mm  
Safety Drainage System / Güvenilir Tahliye Sistemi  
EPDM Gaskets / EPDM Fitol  
Glazing From 4 mm to 24 mm  
Cam Kullanımı 4 mm' den 24 mm

#### Code Logic / Kod Mantığı

47C	101	00
Factory Standard Fabrika Standartı		
Group / Grup		
Title / Seri		

#### Titles / Seriler

47C - System Name / Sistem Adı  
07 - Alternative Adaptors / Alternatif Adaptörler  
08 - Glazing Beads / Cam Çıtası  
09 - Extruded Corner Joints / Pres Köşe Takozu

#### Groups / Gruplar

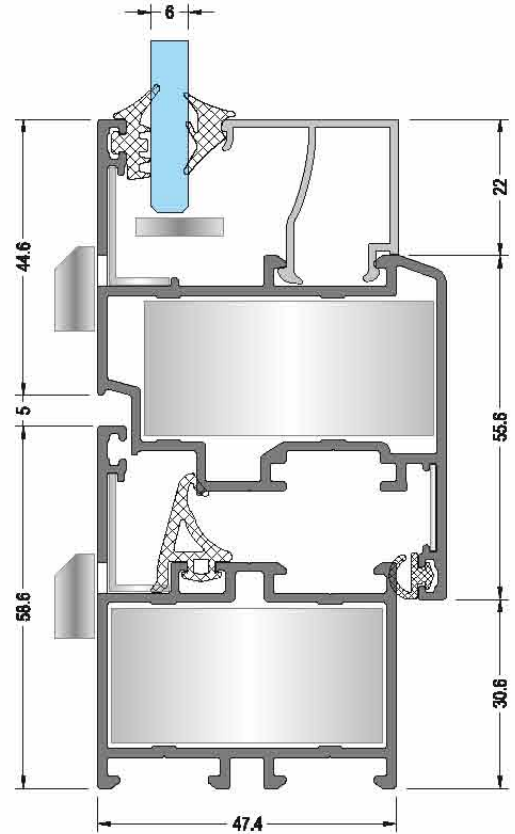
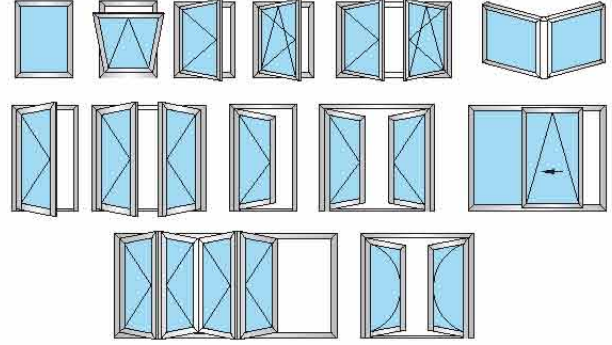
101, 102,... - Frames / Kasalar  
201, 251,... - Vents / Kanatlar  
301, 302,... - Mullions / Orta Kayıtlar  
401, 402,... - Kick Plates and Adaptors  
Etek ve Adaptörleri  
801, 802,... - Glazing Beads / Adaptörler

#### Alloy / Alařım

The alloys of the aluminium profiles are 6060 and 6063 (AlMgSi 0,5 - F22) based on EN 12020-2 / 755-9 standards  
Alüminyum profil alařımın 6060 ve 6063 (AlMgSi 0,5 - F22) EN 12020-2 / 755-9 standartlarına uygundur.

#### Window & Door Opportunities

Pencere ve Kapi Seçenekleri



Euro Groove Section 1  
Standart Avrupa Kanal 1

All drawings are not scaled.  
Tüm çizimler ölçeksizdir.

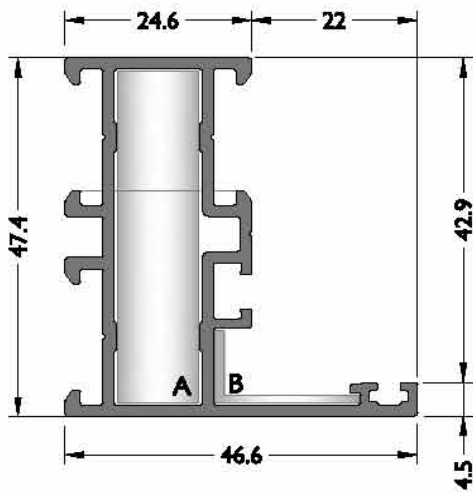
**Lorenzoline**  
aluminium profile system





Profiler


Profiles



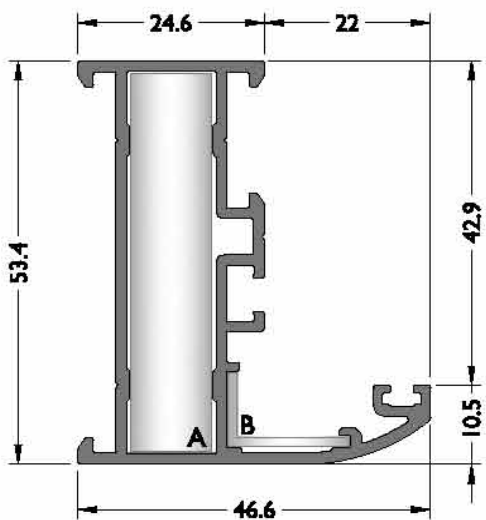
CODE  
**47C-101-15**

THEORETICAL WEIGHT kg/m  
**0.856**

EXTRUDED CORNER JOINT

A **CC-101-43.9** 


B **EM58-21** 



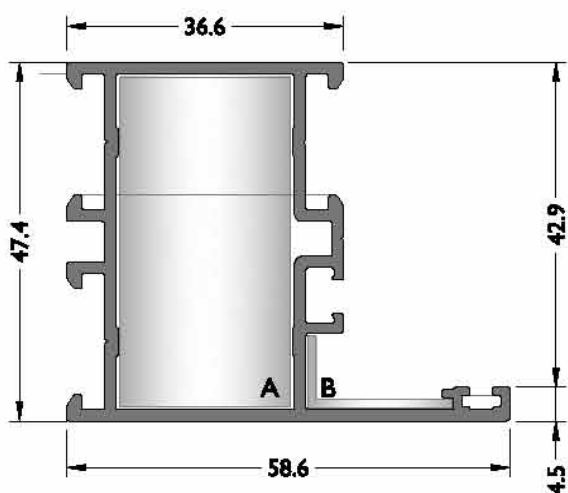
CODE  
**47C-111-14**

THEORETICAL WEIGHT kg/m  
**0.855**

EXTRUDED CORNER JOINT

A **CC-101-50.1** 

B **EM58-22** 



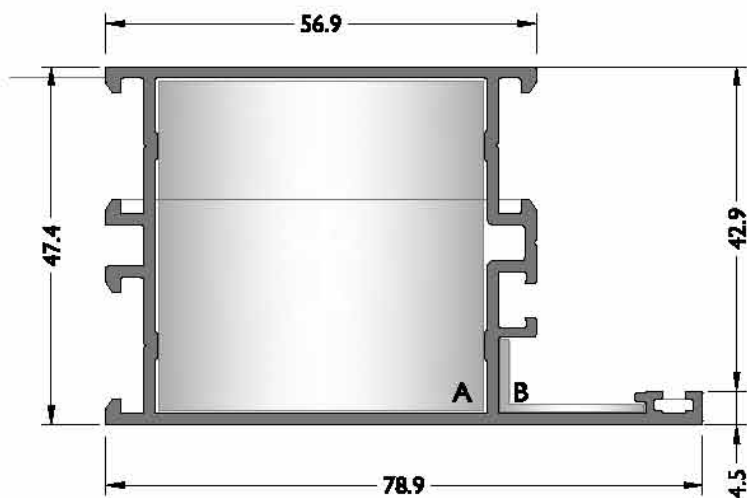
CODE  
**47C-102-15**

THEORETICAL WEIGHT kg/m  
**0.953**

EXTRUDED CORNER JOINT

A **CC-103-43.9** 

B **EM58-21** 



CODE

**47C-104-15**

THEORETICAL WEIGHT kg/m

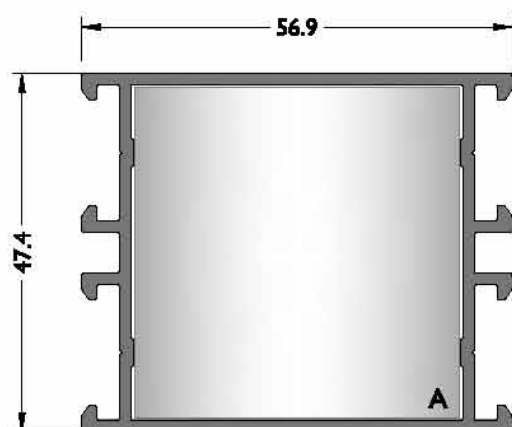
**1.118**

EXTRUDED CORNER JOINT

A **CC-105-43.9**



B **EM58-21**



CODE

**47C-124-15**

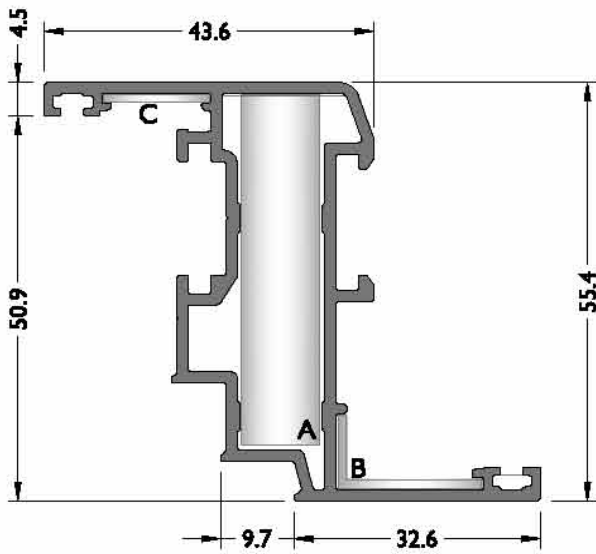
THEORETICAL WEIGHT kg/m

**0.988**

EXTRUDED CORNER JOINT

A **CC-105-43.9**






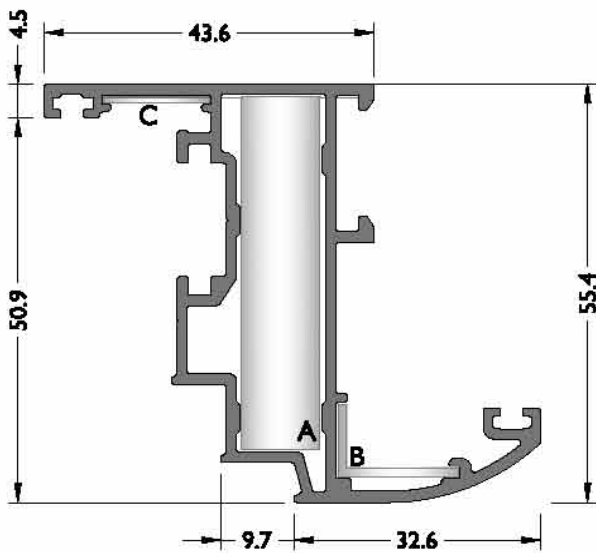


CODE  
**47C-201-15**

THEORETICAL WEIGHT kg/m  
**1.003**

EXTRUDED CORNER JOINT

- A **CC-101-46.6** 
- B **EM58-21** 
- C **MO 20.1** 

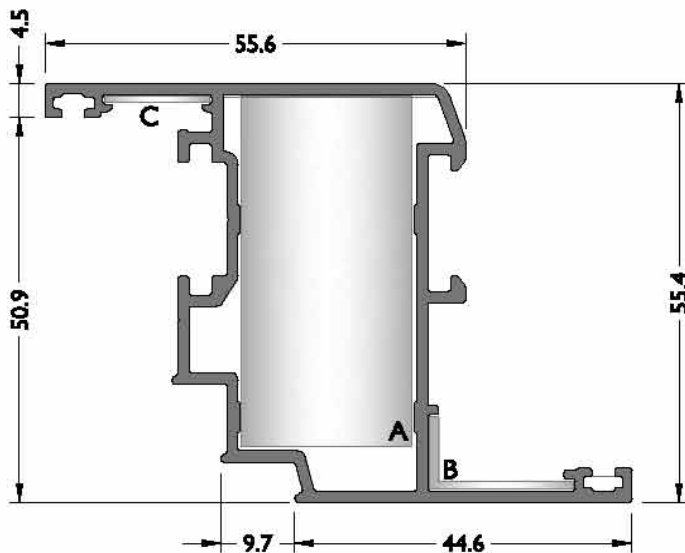


CODE  
**47C-211-14**

THEORETICAL WEIGHT kg/m  
**1.008**

EXTRUDED CORNER JOINT




- A **CC-101-46.8** 
- B **EM58-22** 
- C **MO 20.1** 

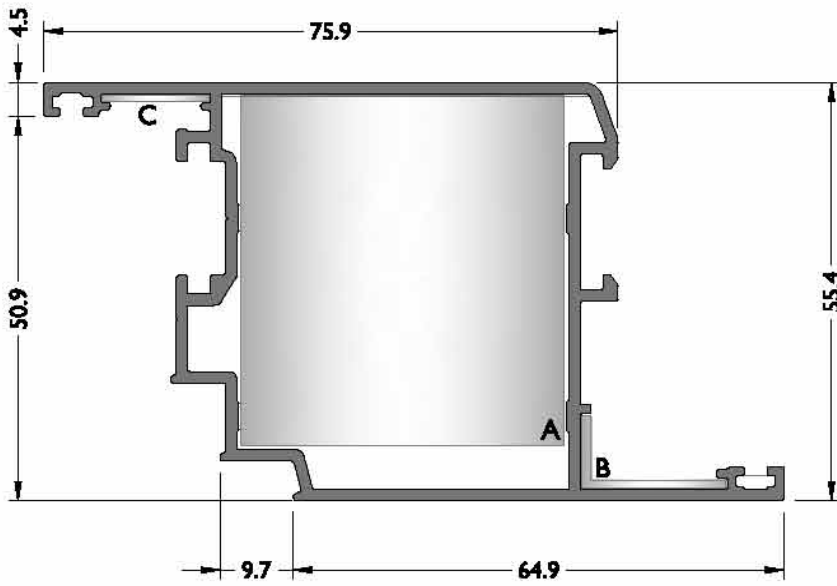


CODE  
**47C-202-15**

THEORETICAL WEIGHT kg/m  
**1.101**




EXTRUDED CORNER JOINT

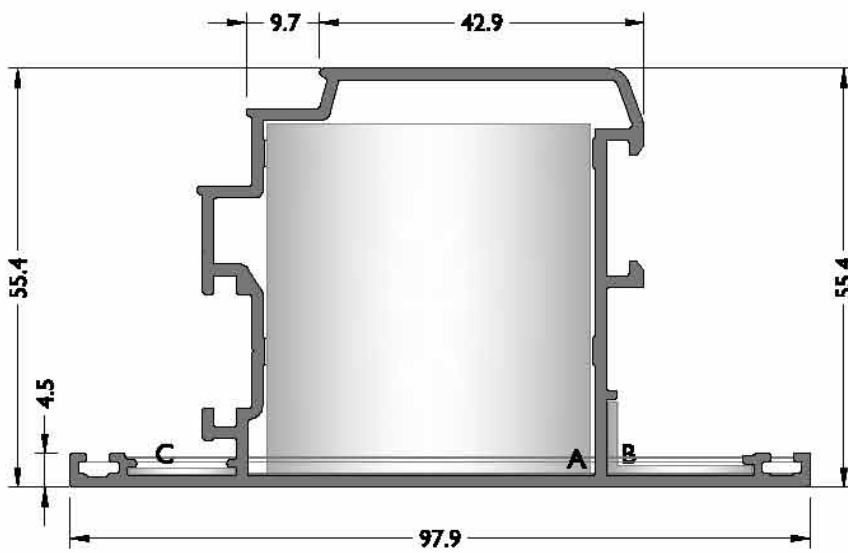
- A **CC-103-46.6** 
- B **EM58-21** 
- C **MO 20.1** 



CODE  
**47C-204-15**




THEORETICAL WEIGHT kg/m  
**1.266**

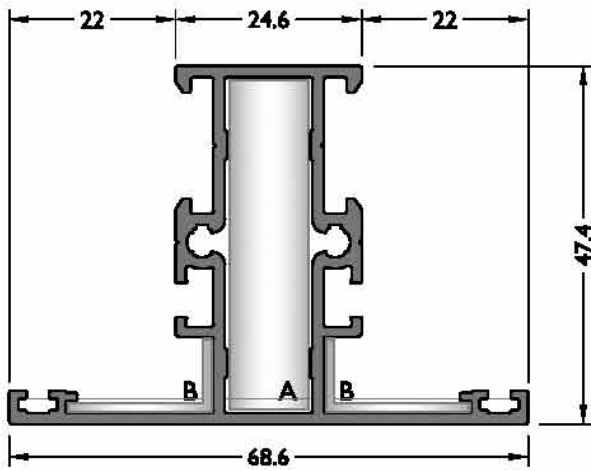
- EXTRUDED CORNER JOINT
- A **CC-105-46.6** 
  - B **EM58-21** 
  - C **MO 20.1** 



CODE  
**47C-205-15**

THEORETICAL WEIGHT kg/m  
**1.266**


- EXTRUDED CORNER JOINT
- A **CC-105-46.6** 
  - B **EM58-21** 
  - C **MO 20.1** 




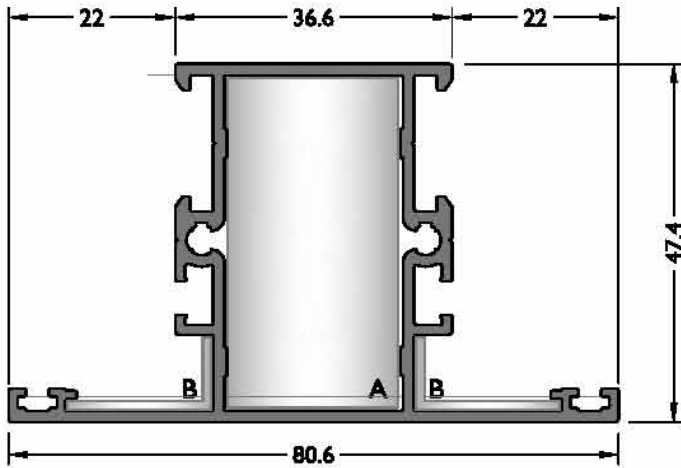
CODE  
**47C-301-15**

THEORETICAL WEIGHT kg/m  
**1.012**

EXTRUDED CORNER JOINT  
A **CC-101-43.9** 

B **EM58-21** 


T JUNCTION  
CEKTIRME BAGLANTI  
A **CC-905-10.5** 



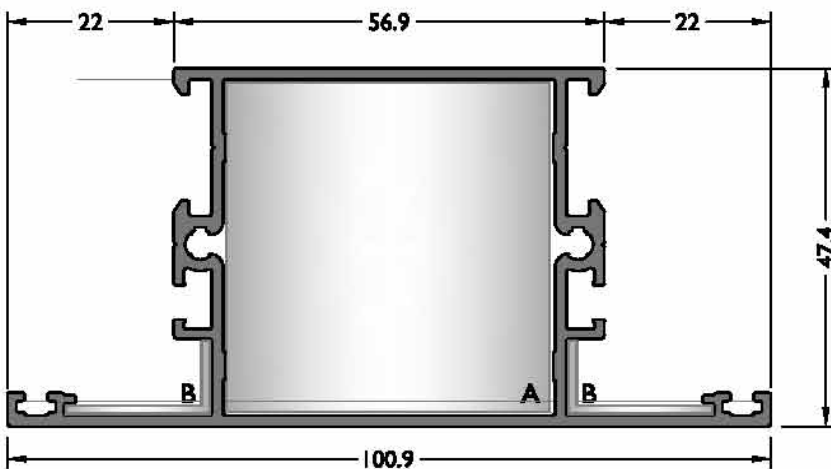
CODE  
**47C-302-15**

THEORETICAL WEIGHT kg/m  
**1.110**

EXTRUDED CORNER JOINT  
A **CC-103-43.9** 

B **EM58-21** 


T JUNCTION  
CEKTIRME BAGLANTI  
A **CC-905-22.5** 



CODE  
**47C-304-15**

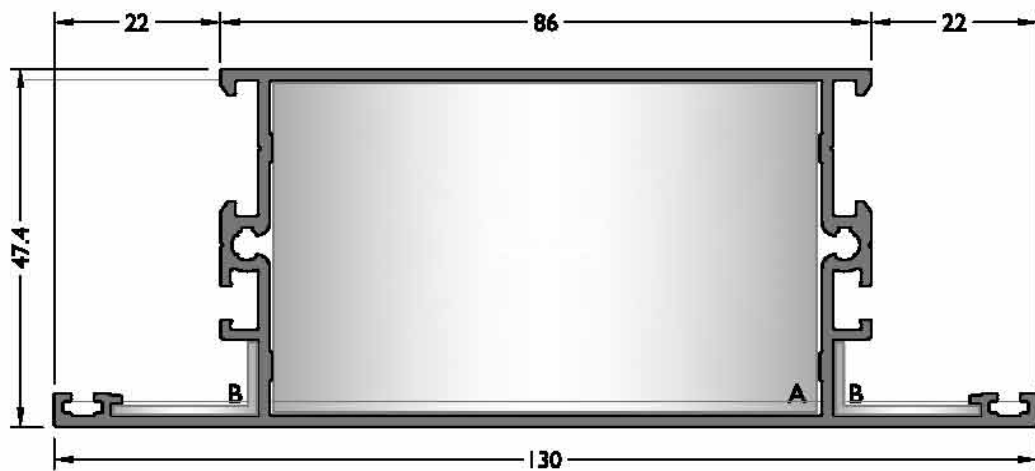
THEORETICAL WEIGHT kg/m  
**1.275**

EXTRUDED CORNER JOINT  
A **CC-105-43.9** 

B **EM58-21** 

T JUNCTION  
CEKTIRME BAGLANTI  
A **CC-905-42.8** 





CODE

**47C-305-15**

THEORETICAL WEIGHT kg/m

**1.512**

EXTRUDED CORNER JOINT

A **CC-114-43.9**

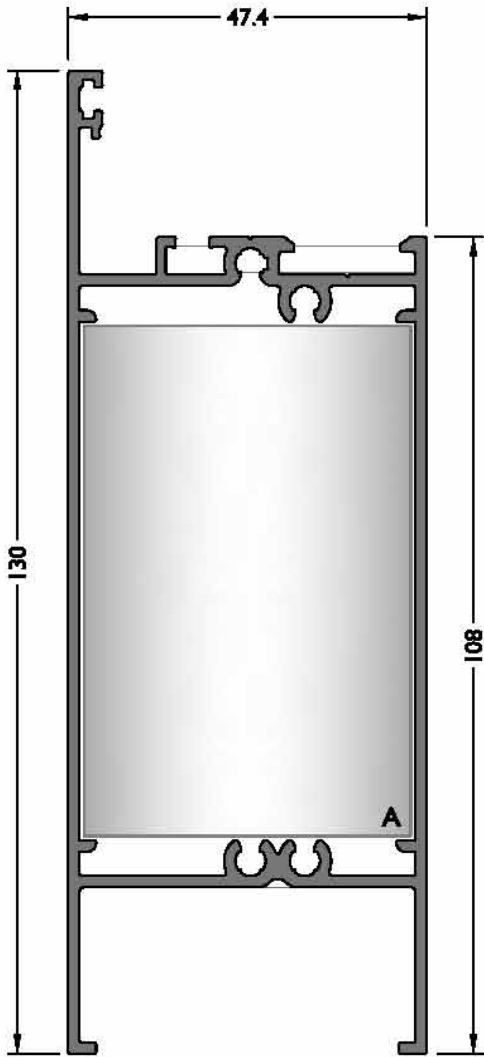
B **EM58-21**



T JUNCTION  
CEKTIRME BAGLANTI

A **CC-905-71.9**



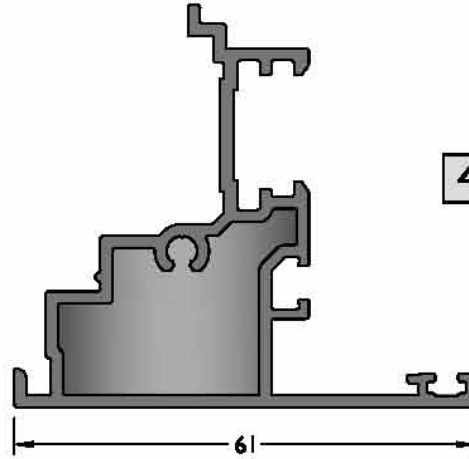


CODE  
**47C-401-15**

THEORETICAL WEIGHT kg/m  
**1.633**

T JUNCTION  
CEKTIRME BAGLANTI

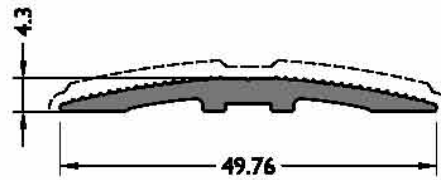
A **CC-905-68.1**



CODE  
**47C-501-00**

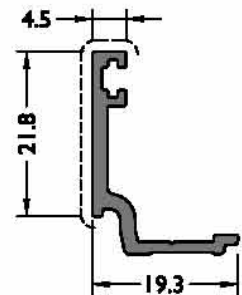
THEORETICAL WEIGHT kg/m  
**0.967**

ADAPTER CUP  
**EM47C-501**



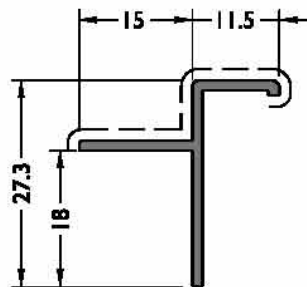
CODE  
**20-101-00**

THEORETICAL WEIGHT kg/m  
**0.355**



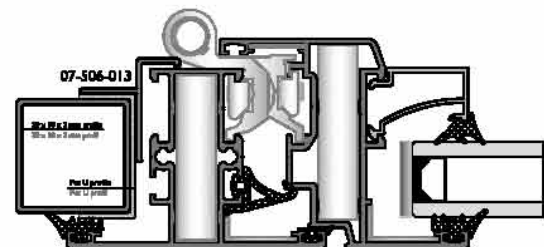
CODE  
**07-111-00**

THEORETICAL WEIGHT kg/m  
**0.234**

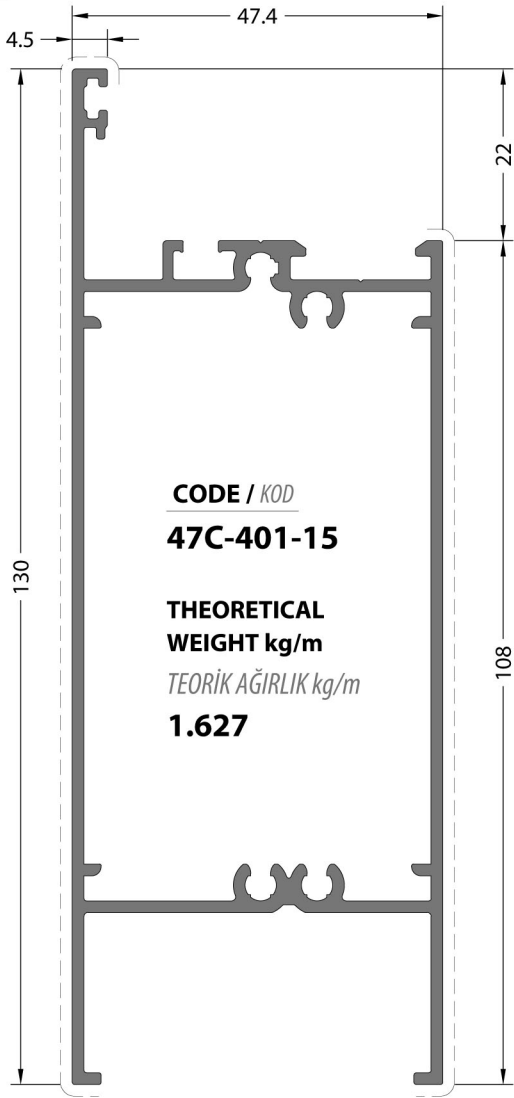


KOD  
**07-506-013**

TEORIK AGIRLIK kg/m  
**0.187**



## profiles / profiller



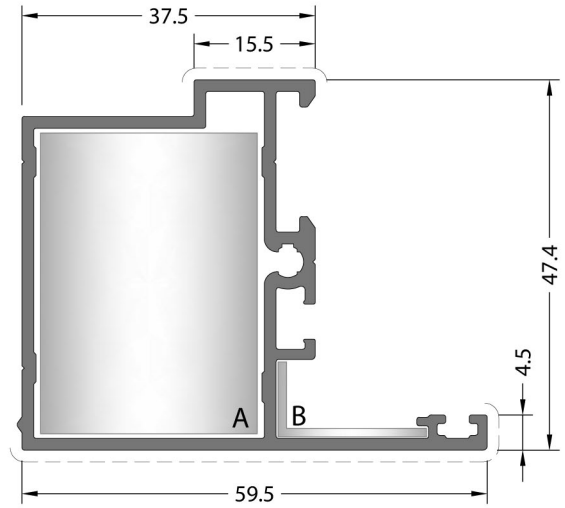
CODE / KOD

**47C-401-15**

**THEORETICAL WEIGHT kg/m**

TEORİK AĞIRLIK kg/m

**1.627**



CODE / KOD

**47C-502-15**

**THEORETICAL WEIGHT kg/m**

TEORİK AĞIRLIK kg/m

**0.896**

**CORNER JOINT**

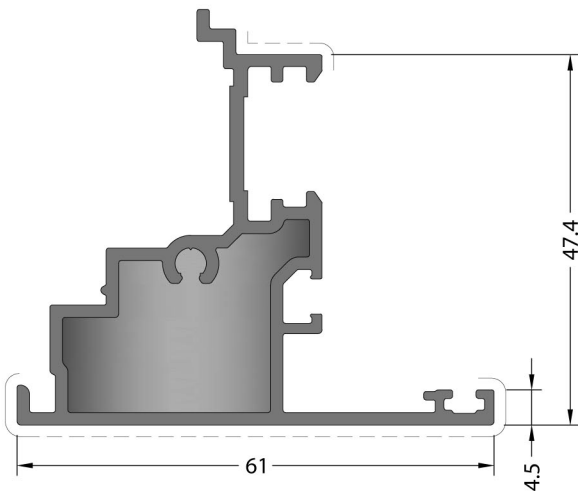
KÖŞE BAĞLANTI



**A** CC-123-39.2



**B** EM58-21



CODE / KOD

**47C-501-00**

**THEORETICAL WEIGHT kg/m**

TEORİK AĞIRLIK kg/m

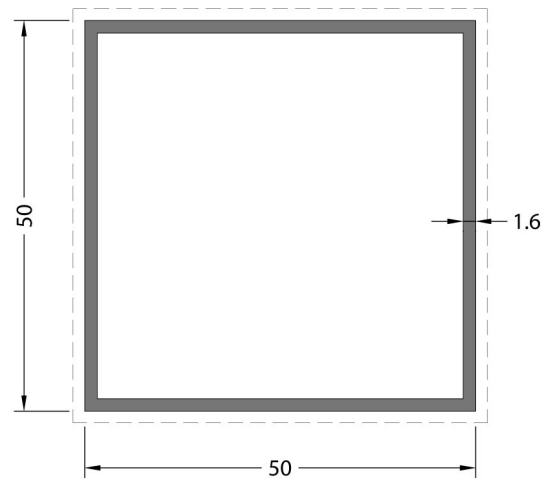
**0.964**

**ADAPTER CAP**

ADAPTÖR KAPAĞI



EM47C-501



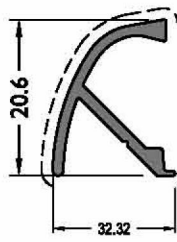
CODE / KOD

**12-123-016**

**THEORETICAL WEIGHT kg/m**

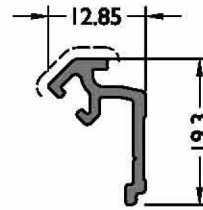
TEORİK AĞIRLIK kg/m

**0.836**



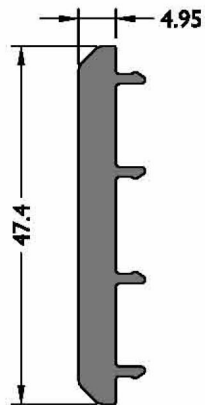
CODE  
**07-211-00**

THEORETICAL  
WEIGHT kg/m  
**0.184**



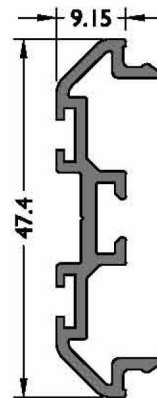
CODE  
**07-112-00**

THEORETICAL  
WEIGHT kg/m  
**0.149**



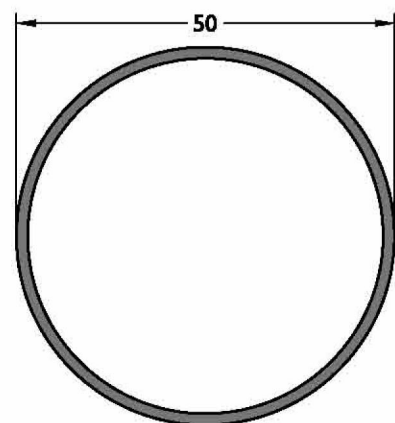
CODE  
**47C-509-00**

THEORETICAL  
WEIGHT kg/m  
**0.670**



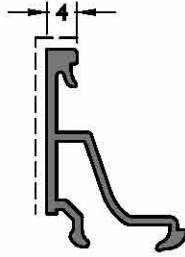
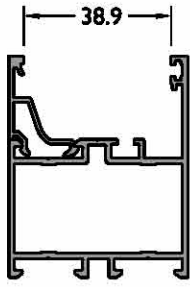
CODE  
**47C-510-00**

THEORETICAL  
WEIGHT kg/m  
**0.428**



CODE  
**10-128-015**

THEORETICAL  
WEIGHT kg/m  
**0.619**

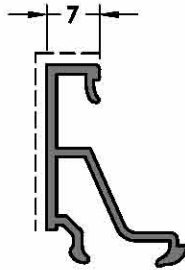
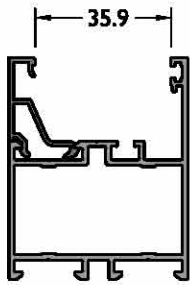


CODE

**08-101-00**

THEORETICAL  
WEIGHT kg/m

**0.217**

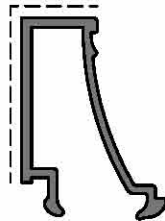
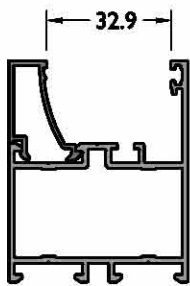


CODE

**08-102-00**

THEORETICAL  
WEIGHT kg/m

**0.222**

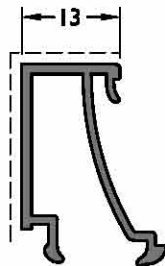
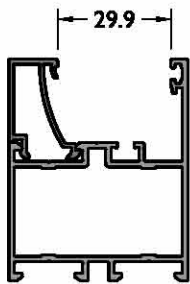


CODE

**08-103-00**

THEORETICAL  
WEIGHT kg/m

**0.236**

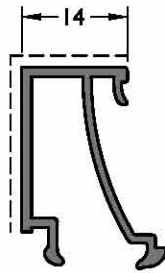
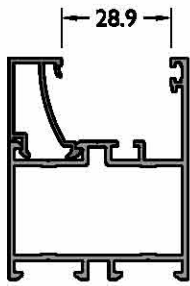


CODE

**08-104-00**

THEORETICAL  
WEIGHT kg/m

**0.256**

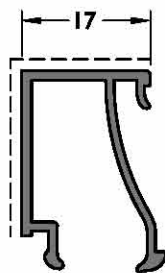
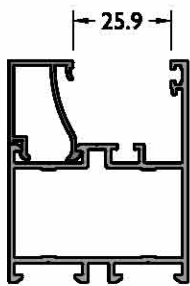


CODE

**08-105-00**

THEORETICAL  
WEIGHT kg/m

**0.259**

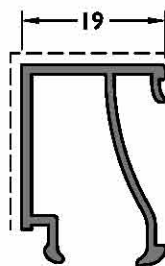
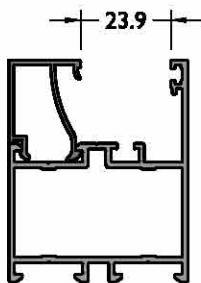


CODE

**08-107-00**

THEORETICAL  
WEIGHT kg/m

**0.262**

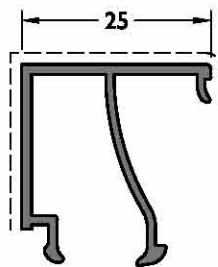
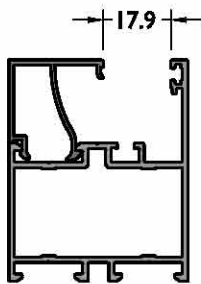


CODE

**08-108-00**

THEORETICAL  
WEIGHT kg/m

**0.269**

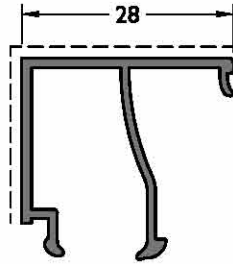
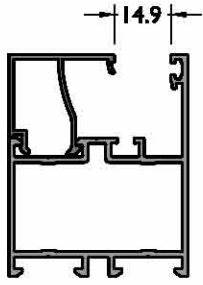


CODE

**08-112-00**

THEORETICAL  
WEIGHT kg/m

**0.290**

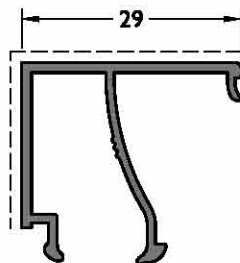
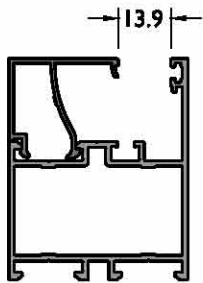


CODE

**08-113-00**

THEORETICAL  
WEIGHT kg/m

**0.299**

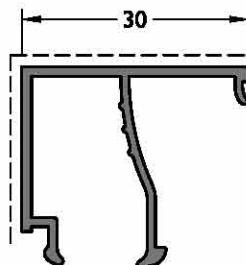
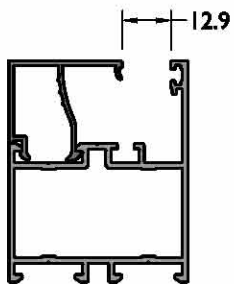


CODE

**08-114-00**

THEORETICAL  
WEIGHT kg/m

**0.305**

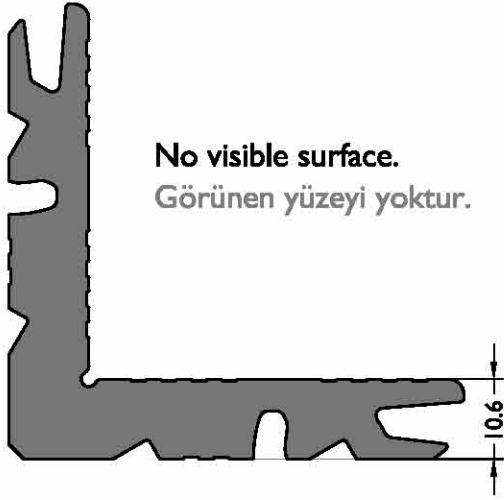


CODE

**08-117-00**

THEORETICAL  
WEIGHT kg/m

**0.308**



No visible surface.  
Görünen yüzeyi yoktur.

CODE  
**09-101-00**

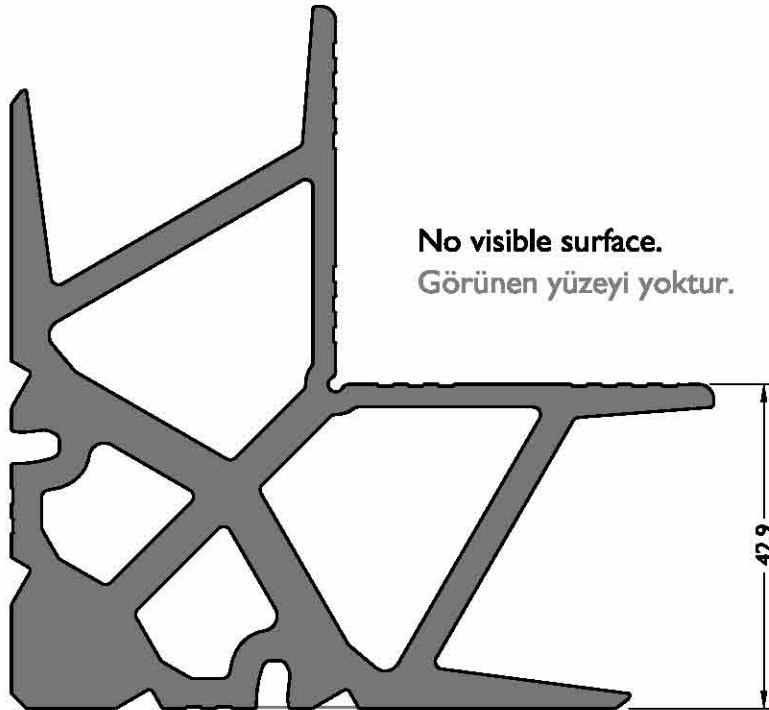
THEORETICAL  
WEIGHT kg/m  
**2.570**



No visible surface.  
Görünen yüzeyi yoktur.

CODE  
**09-103-00**

THEORETICAL  
WEIGHT kg/m  
**3.702**

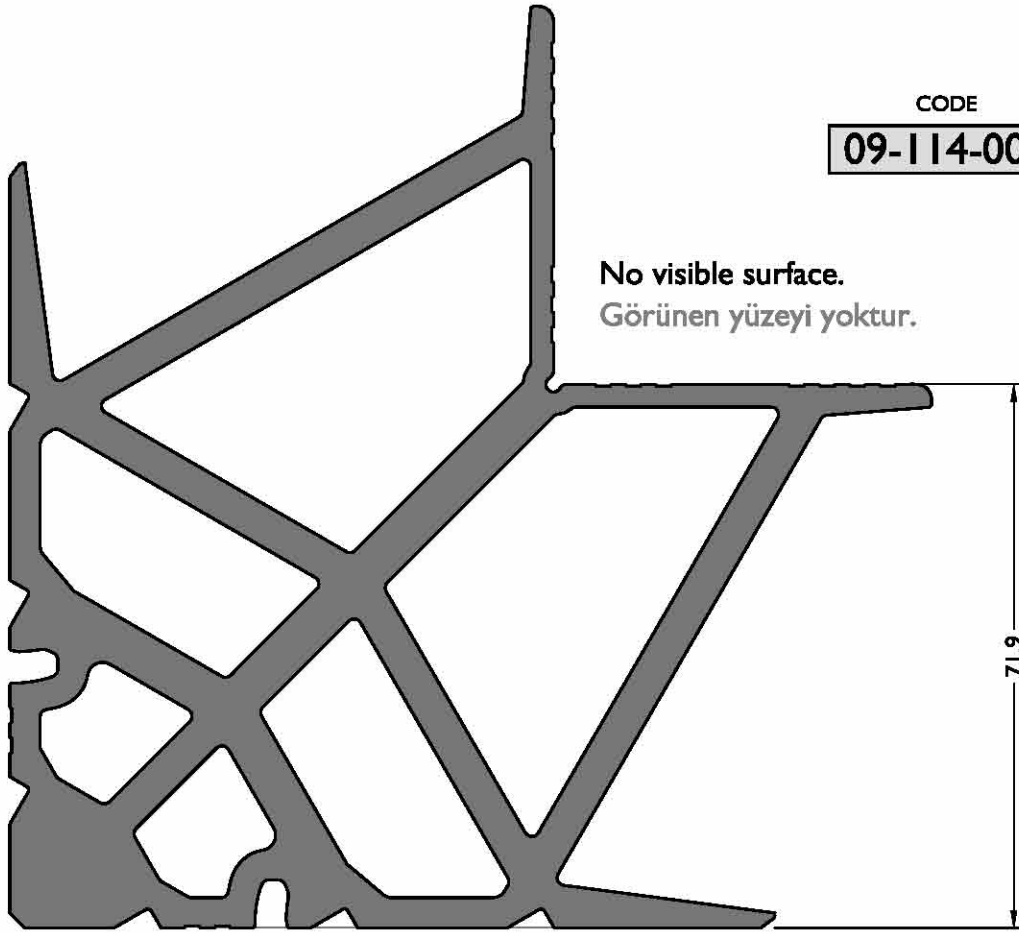


No visible surface.  
Görünen yüzeyi yoktur.

CODE  
**09-105-00**

THEORETICAL  
WEIGHT kg/m  
**5.473**





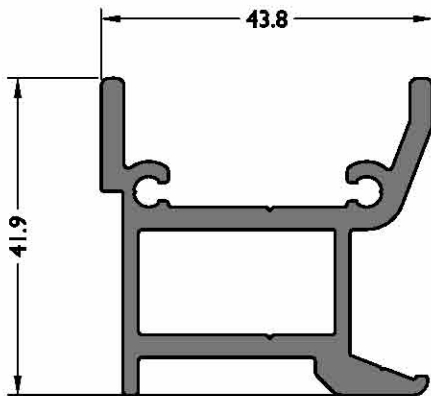
CODE

09-114-00

THEORETICAL  
WEIGHT kg/m

8.775

No visible surface.  
Görünen yüzeyi yoktur.



CODE

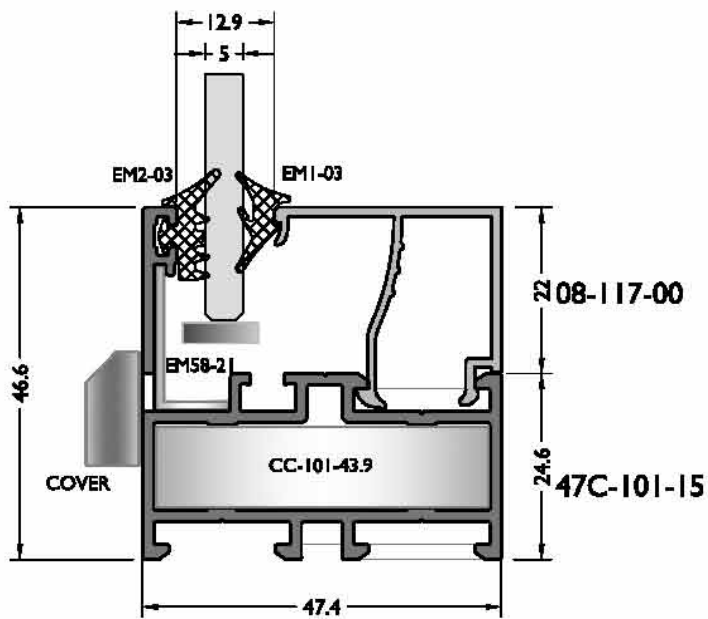
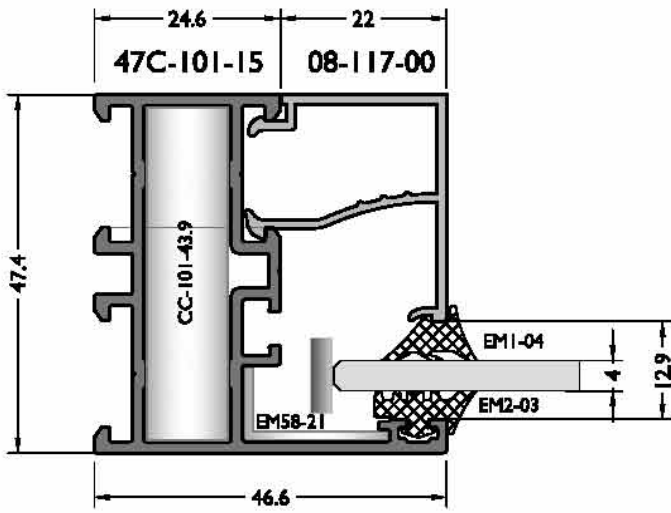
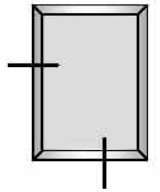
09-905-00

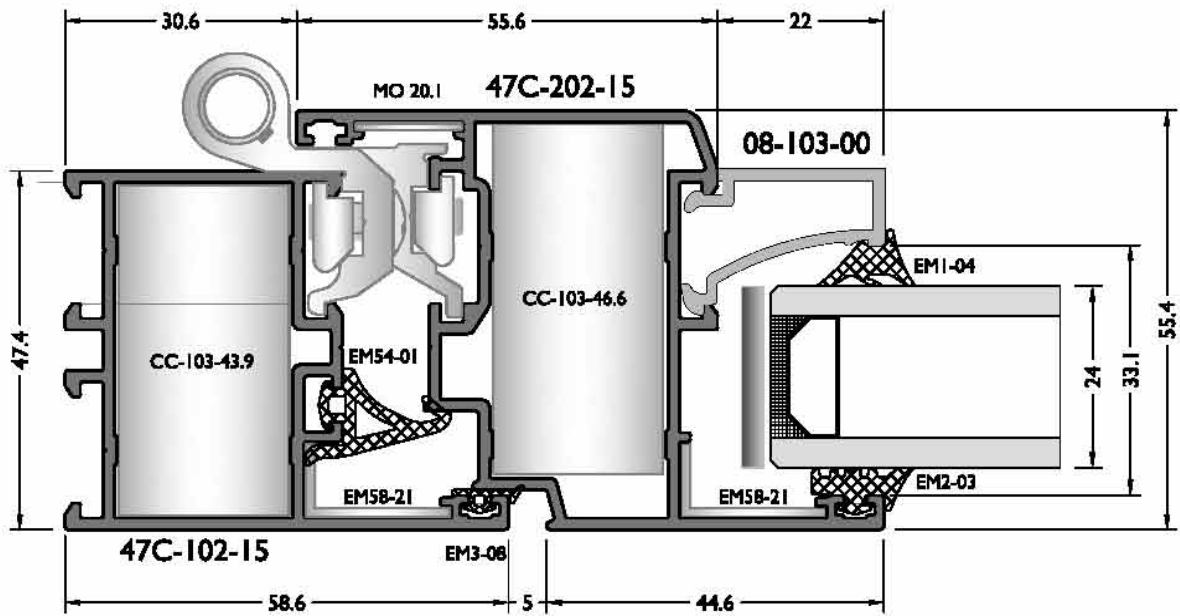
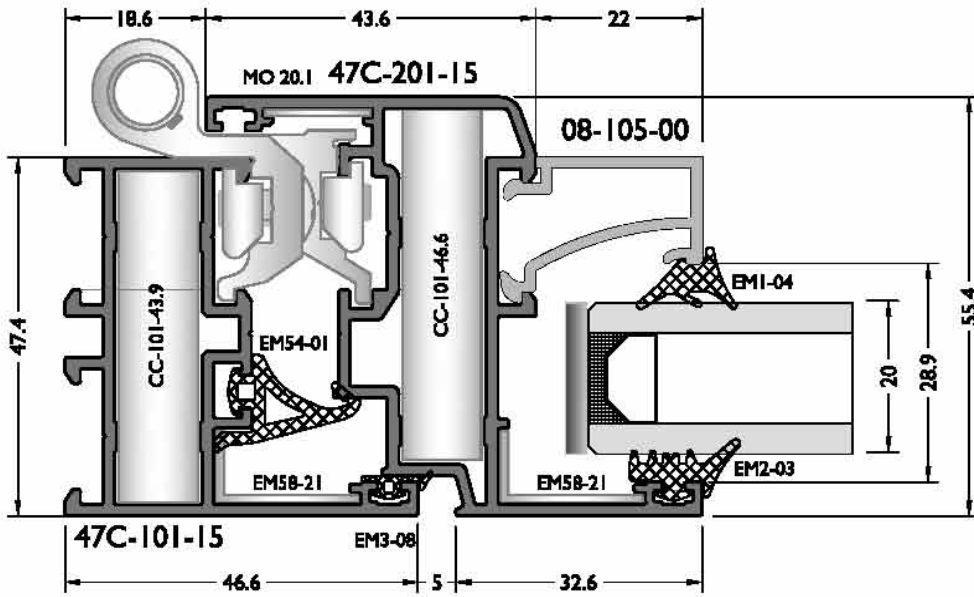
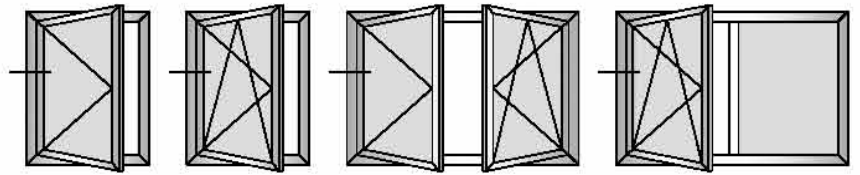
THEORETICAL  
WEIGHT kg/m

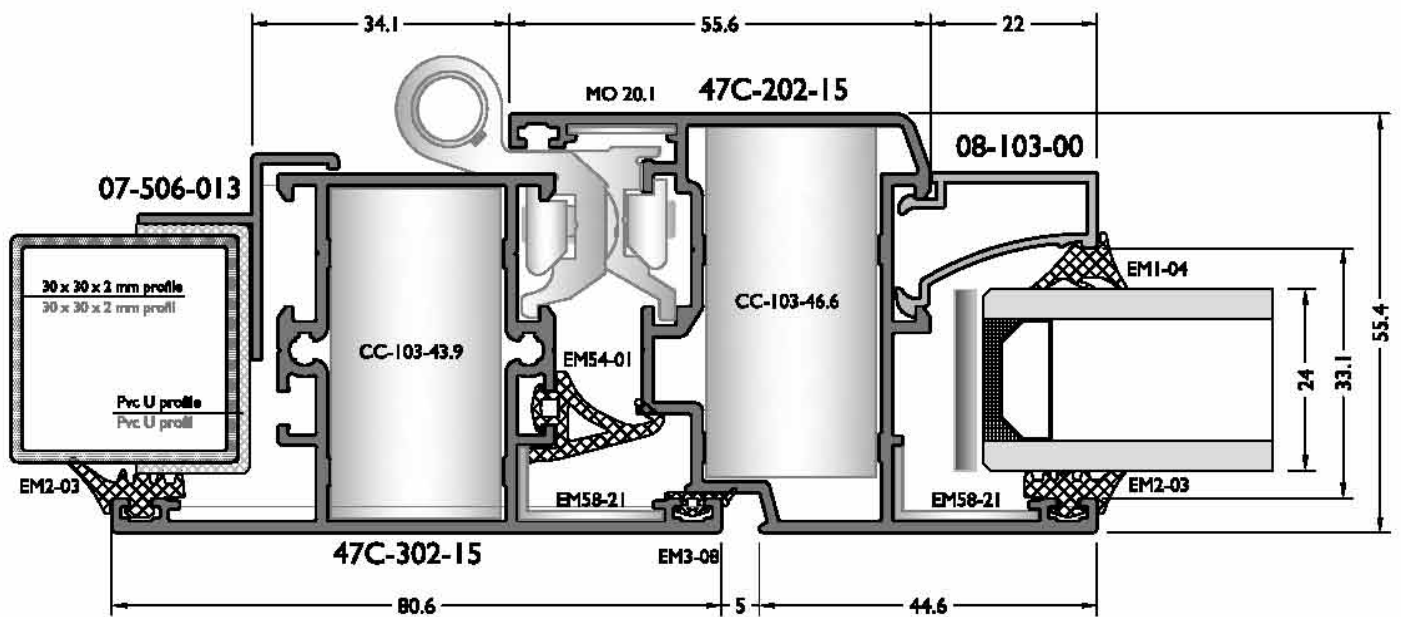
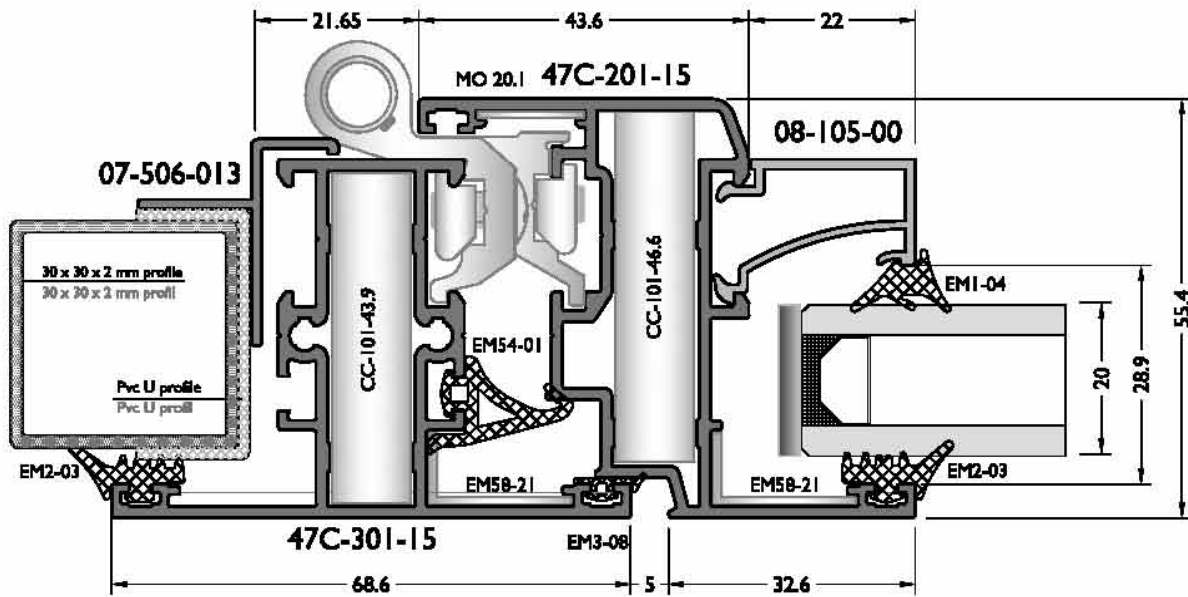
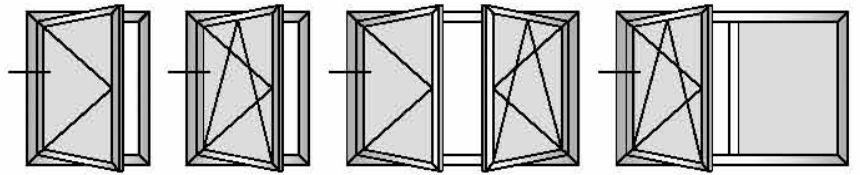
1.208

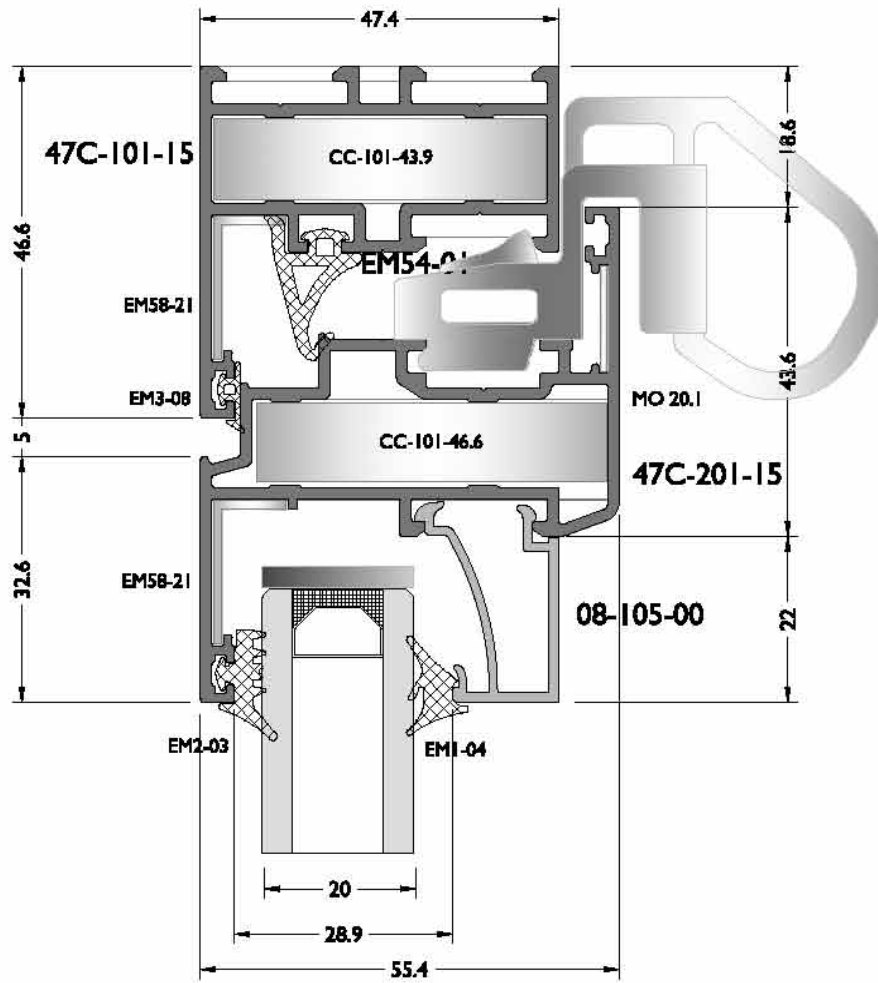
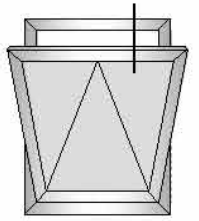
**Detaylar**

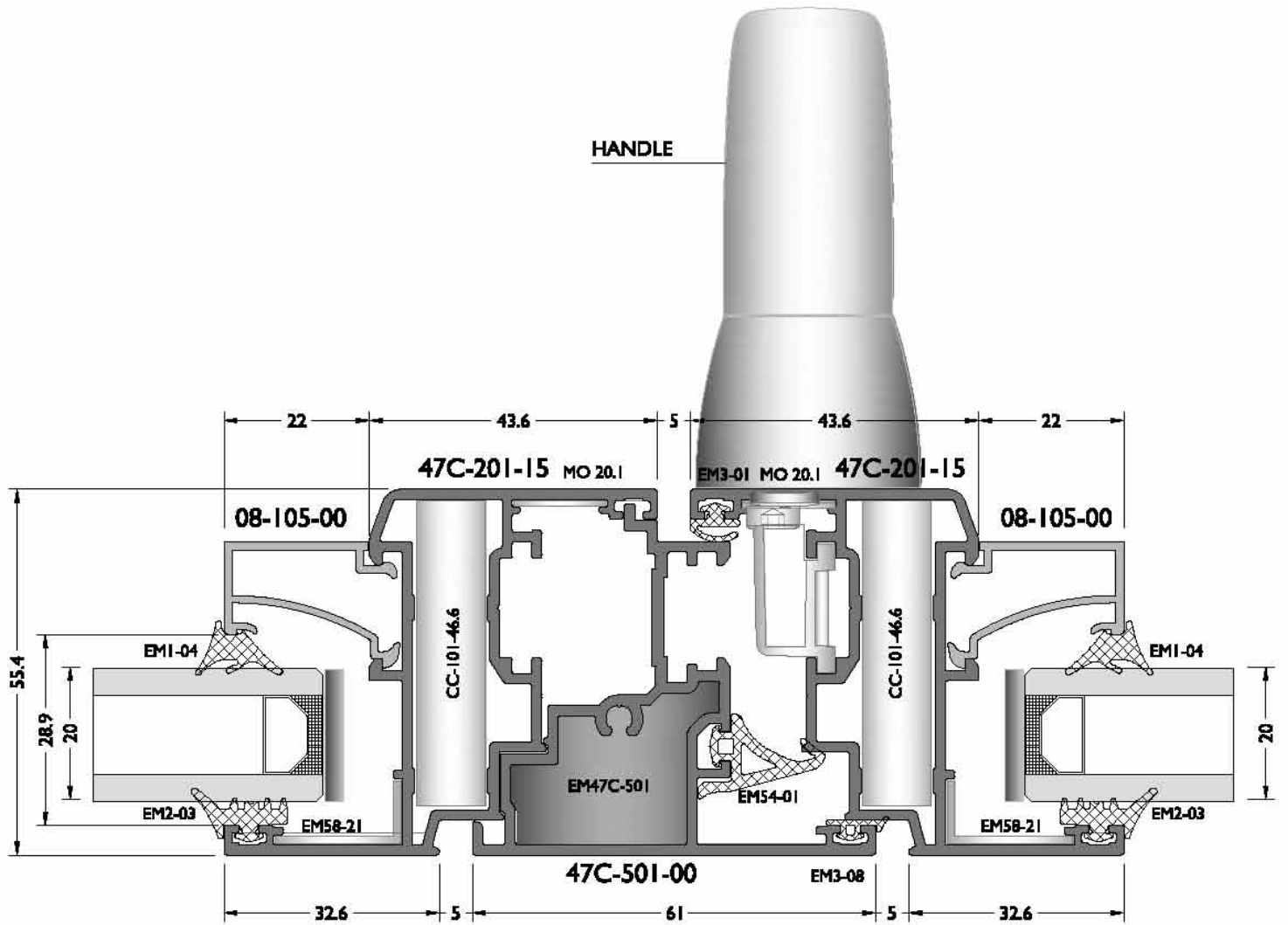
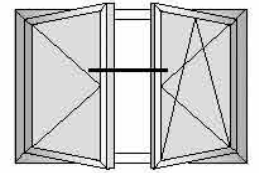
**Details**

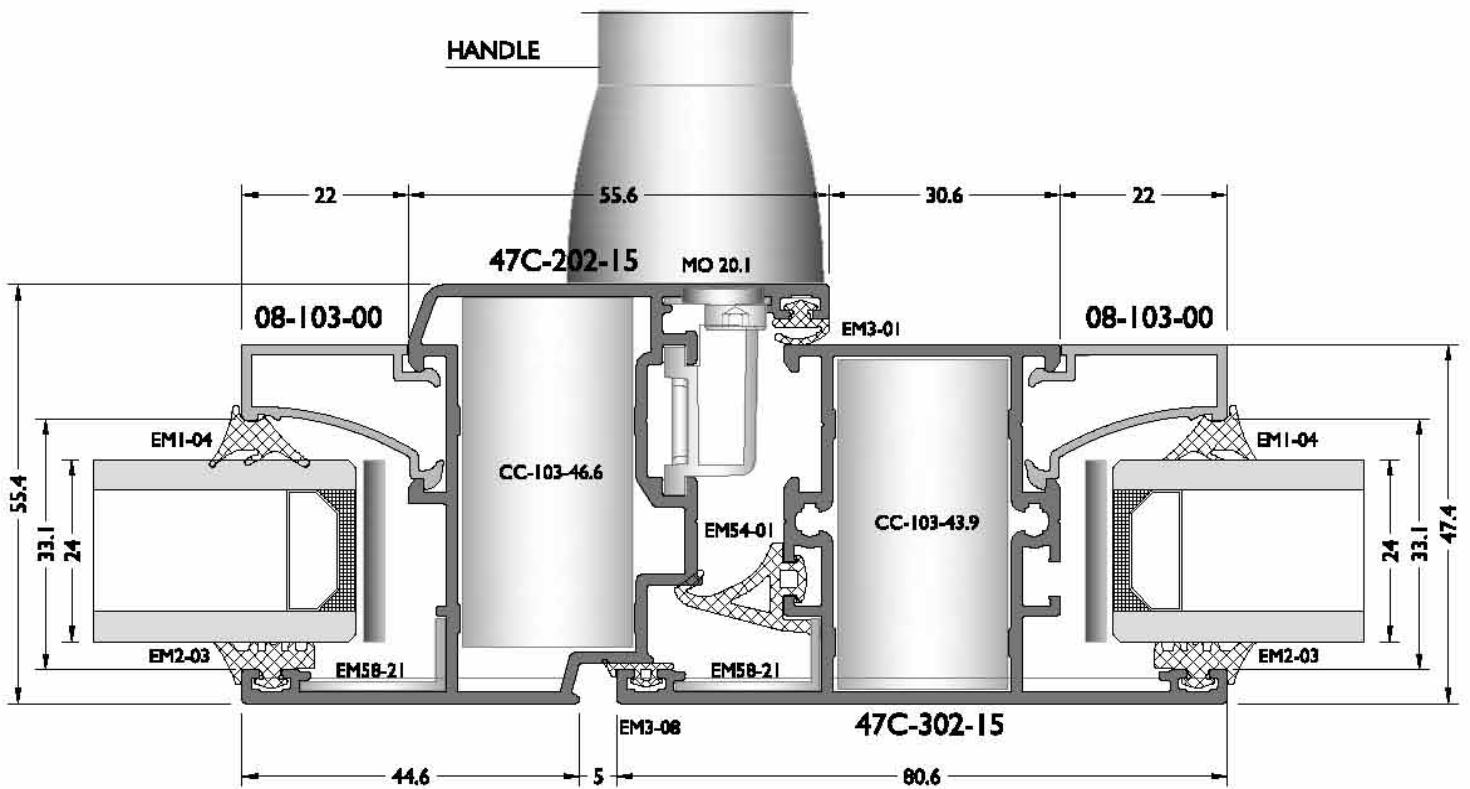
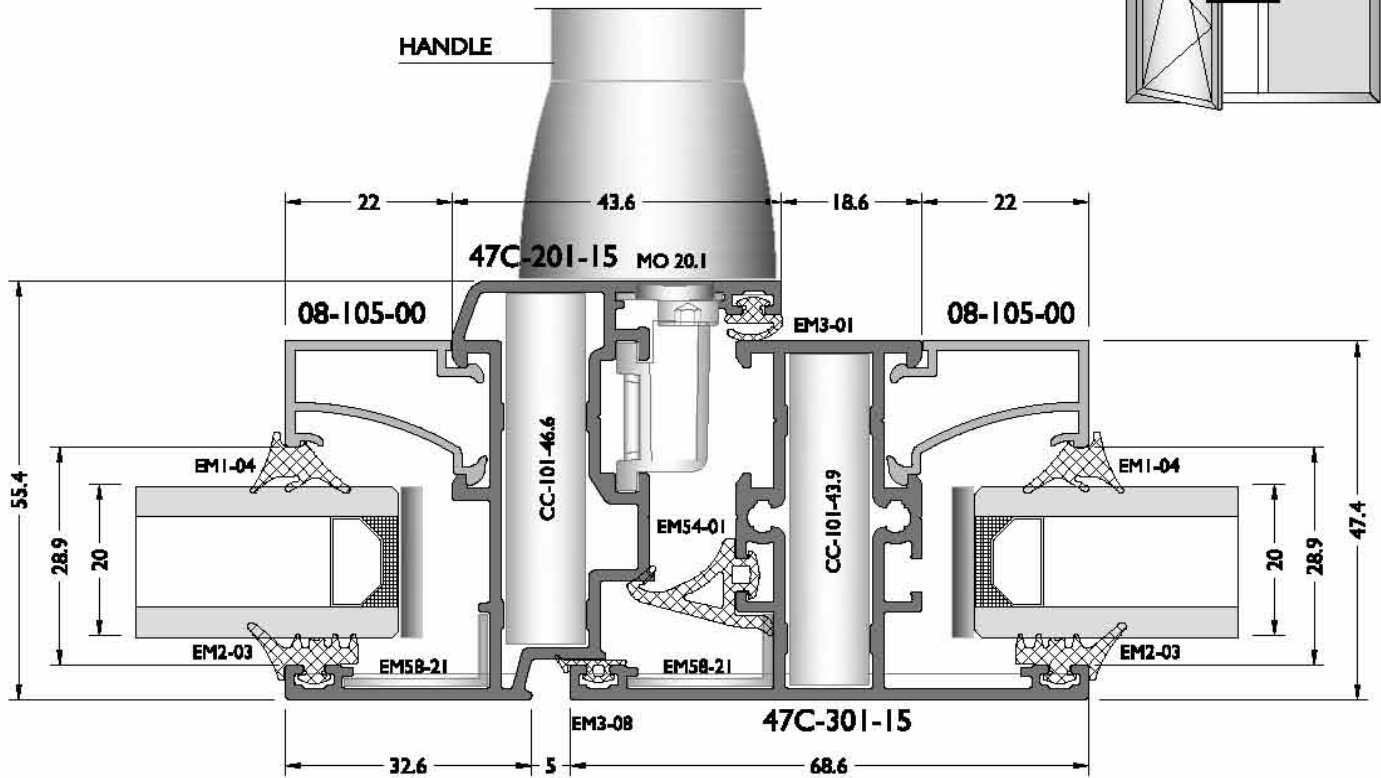
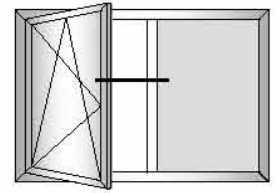




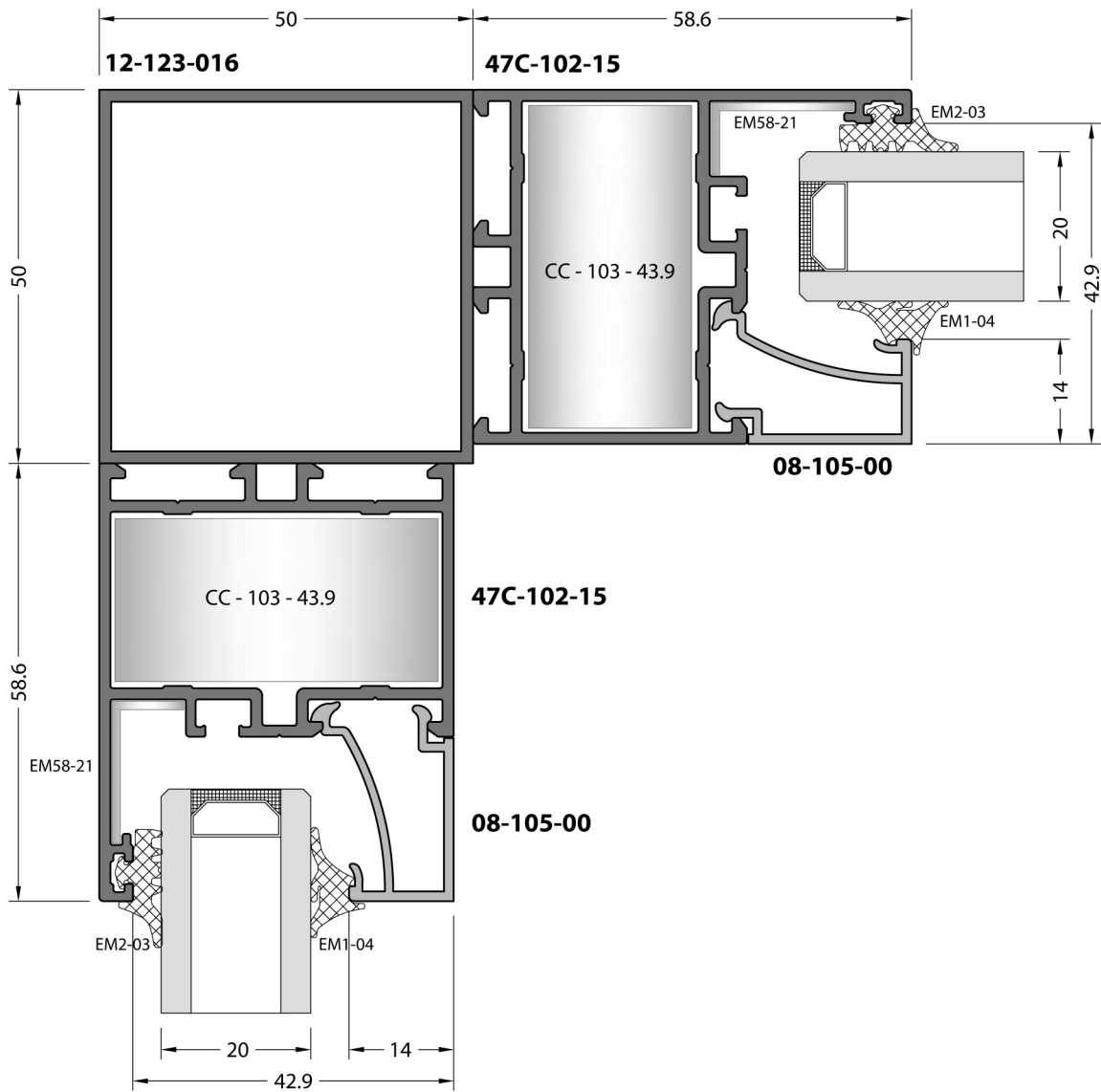
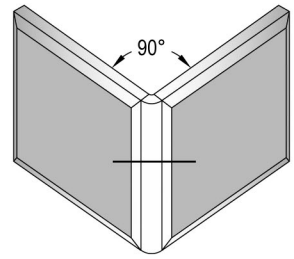


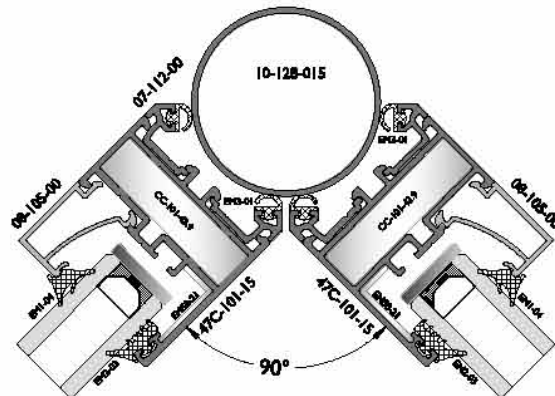
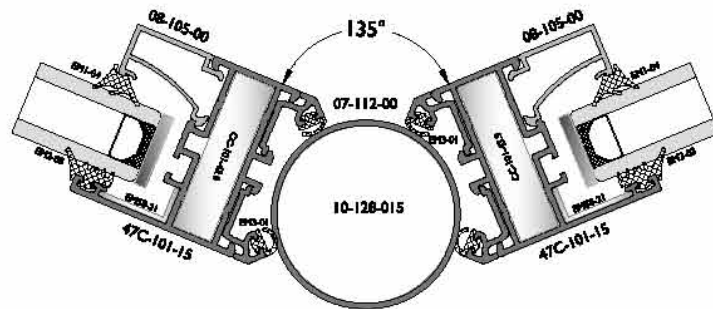
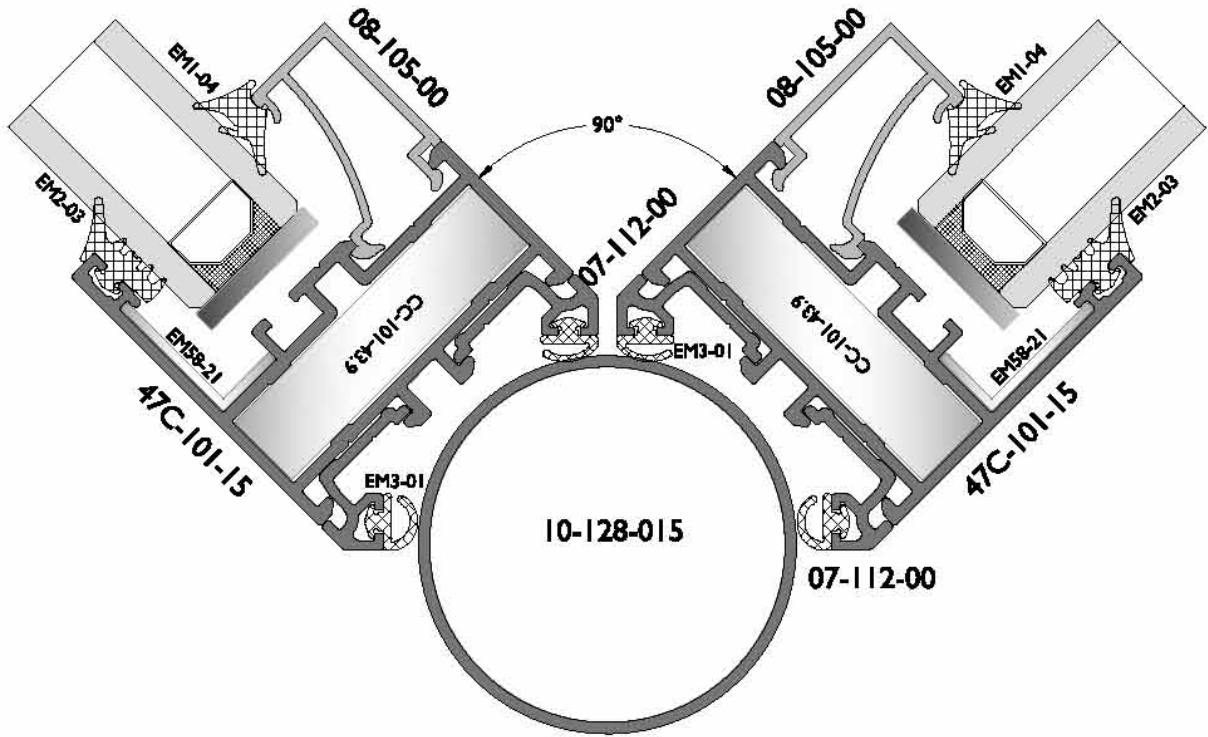
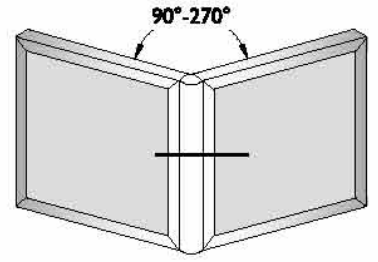


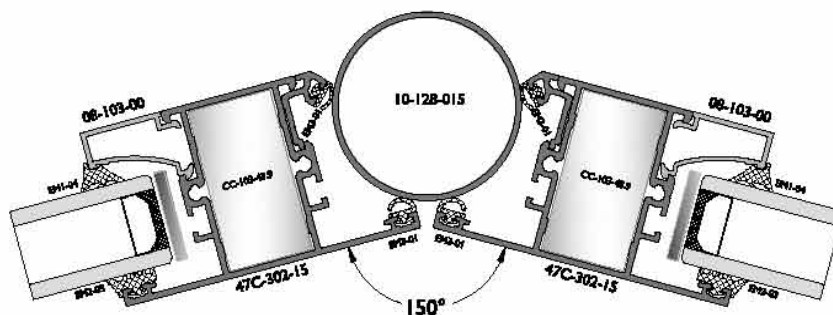
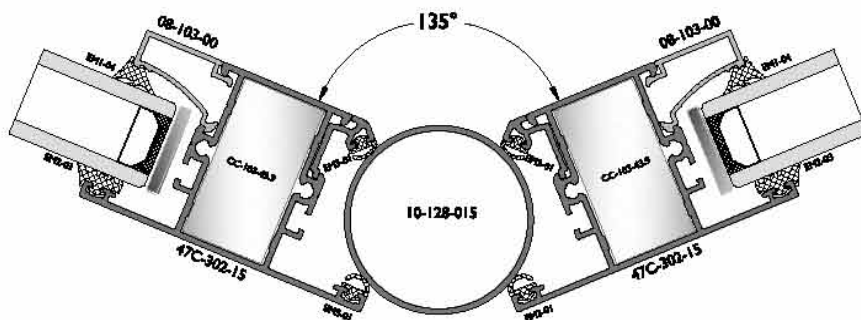
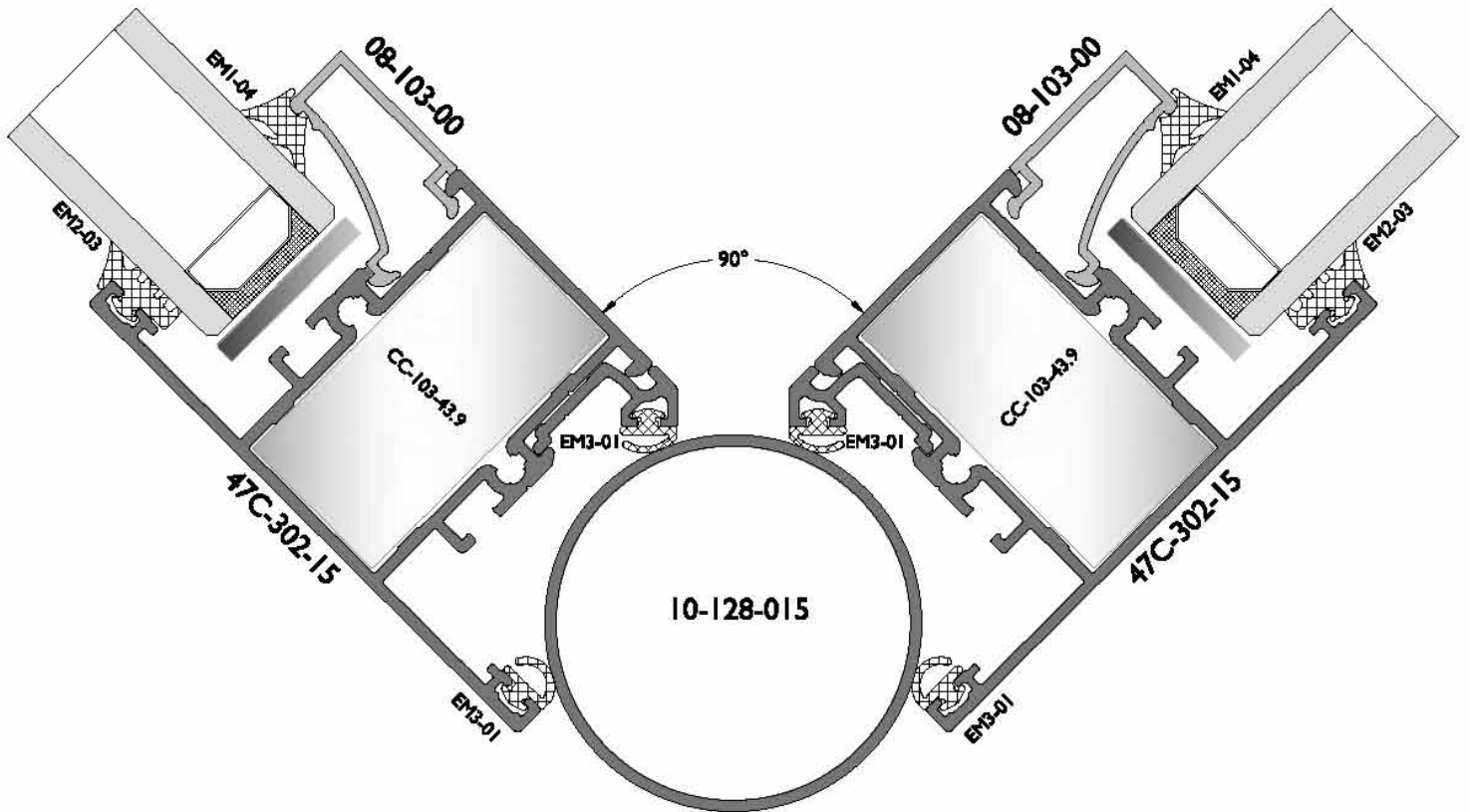
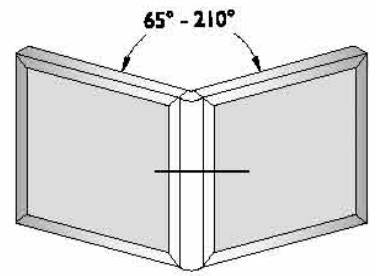




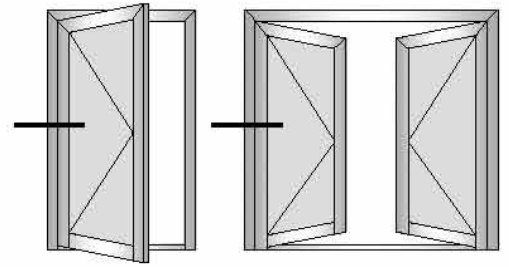




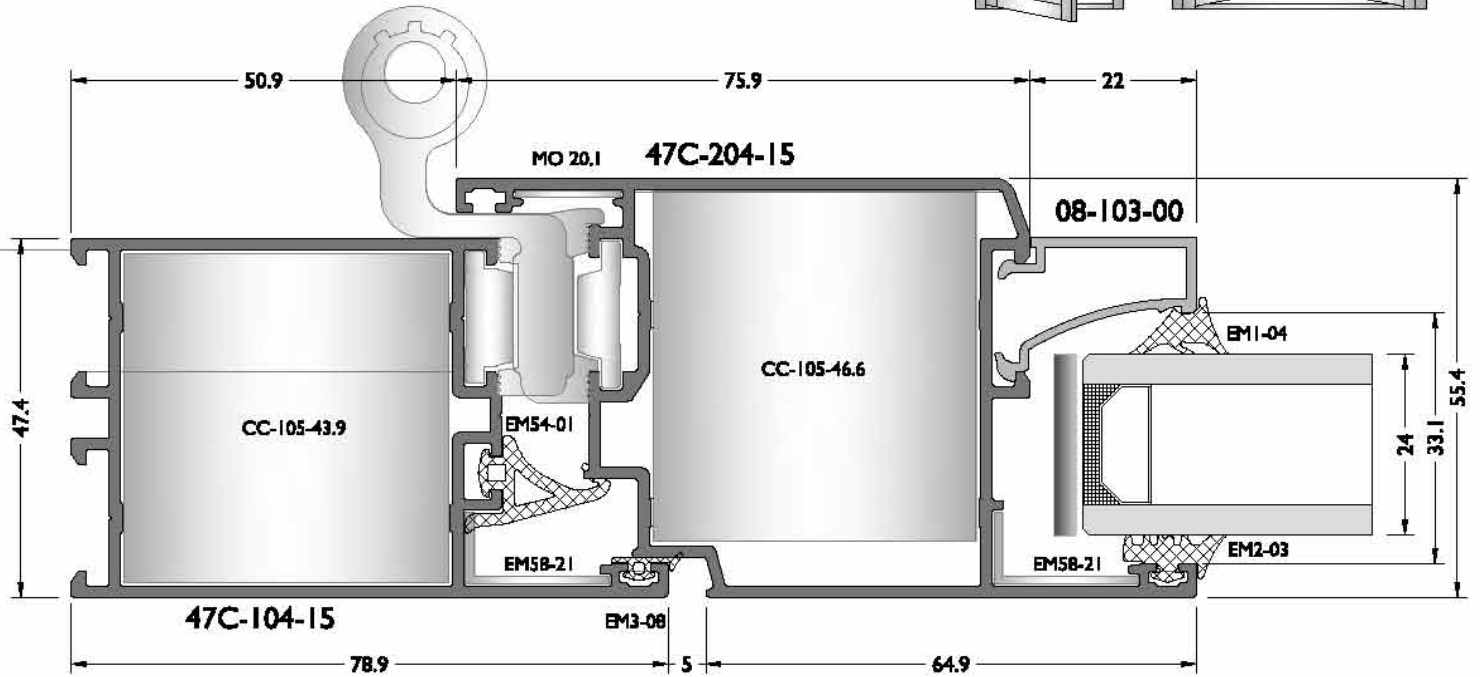




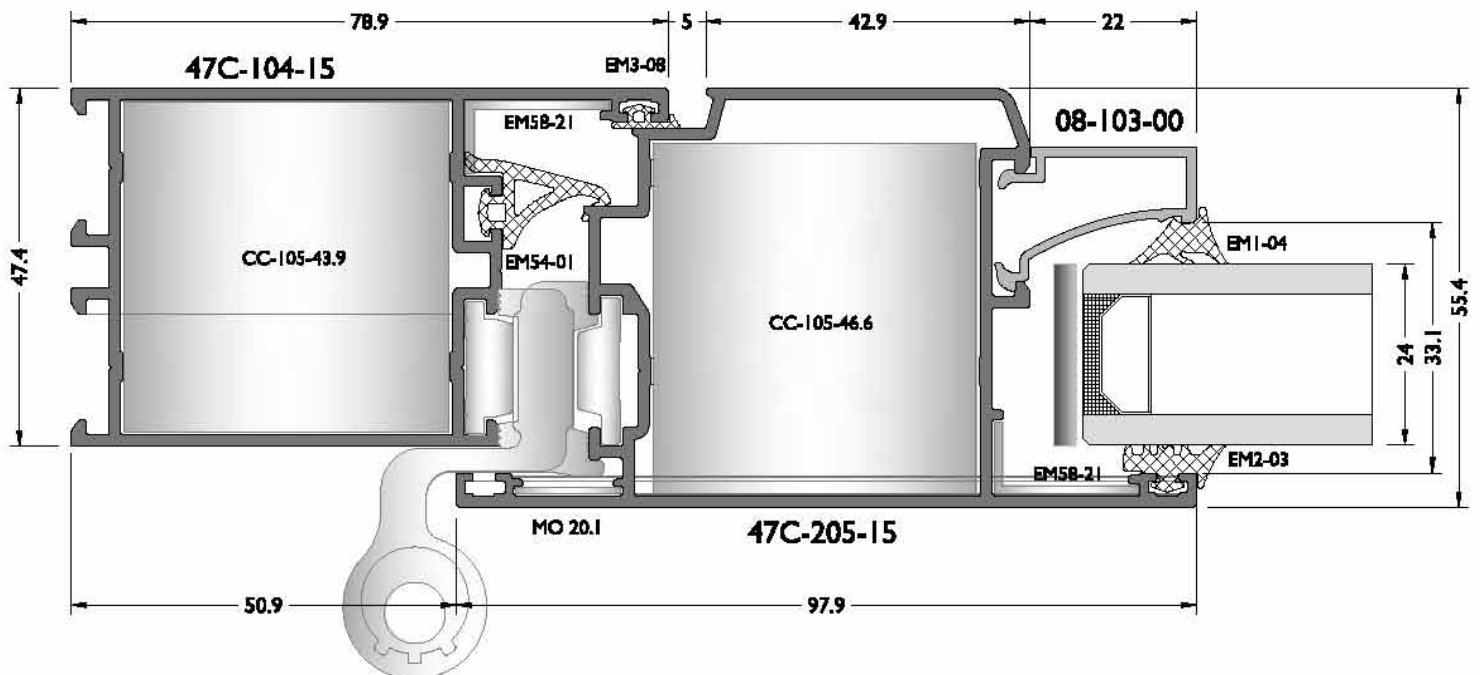
outside angular / dışa dönüş

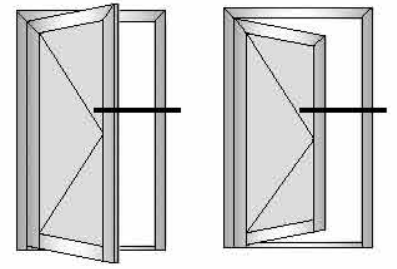


Inside opening door / içe açılır kapı

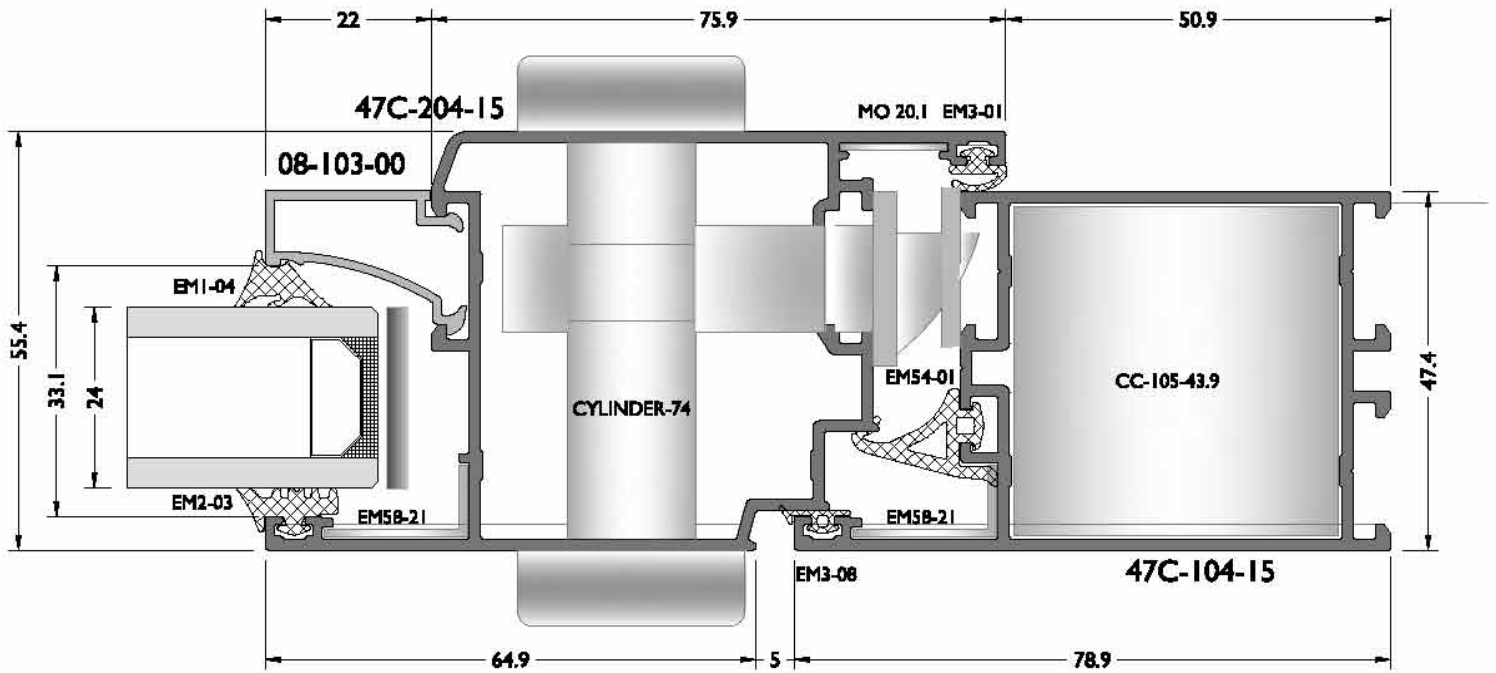


Outside opening door / dışa açılır kapı

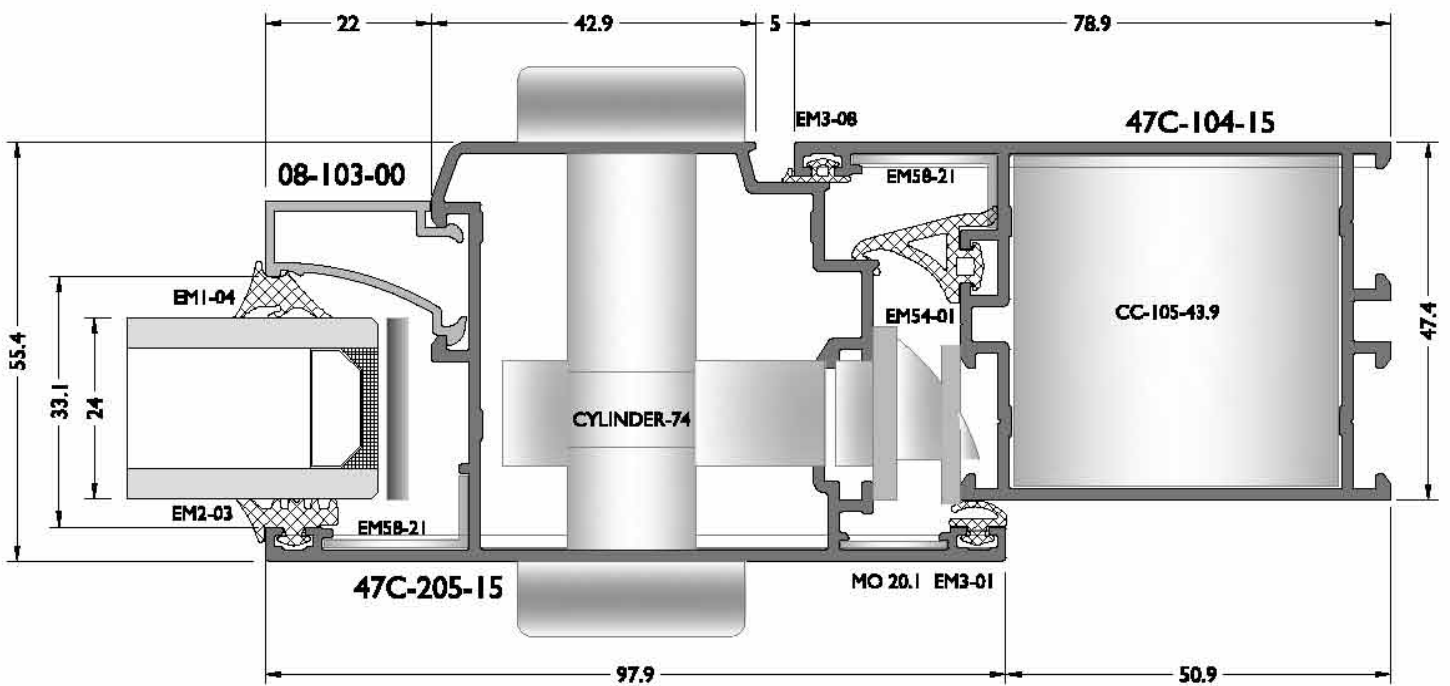




Inside opening door / içe açılır kapı

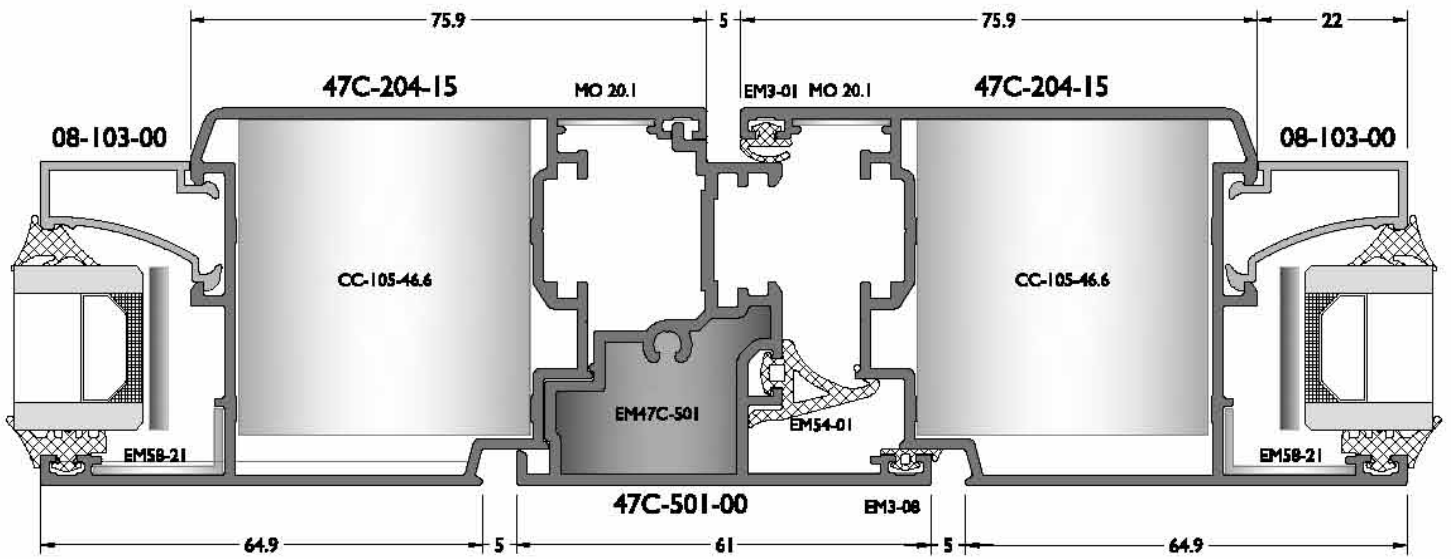
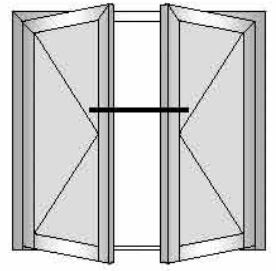


Outside opening door / dışa açılır kapı



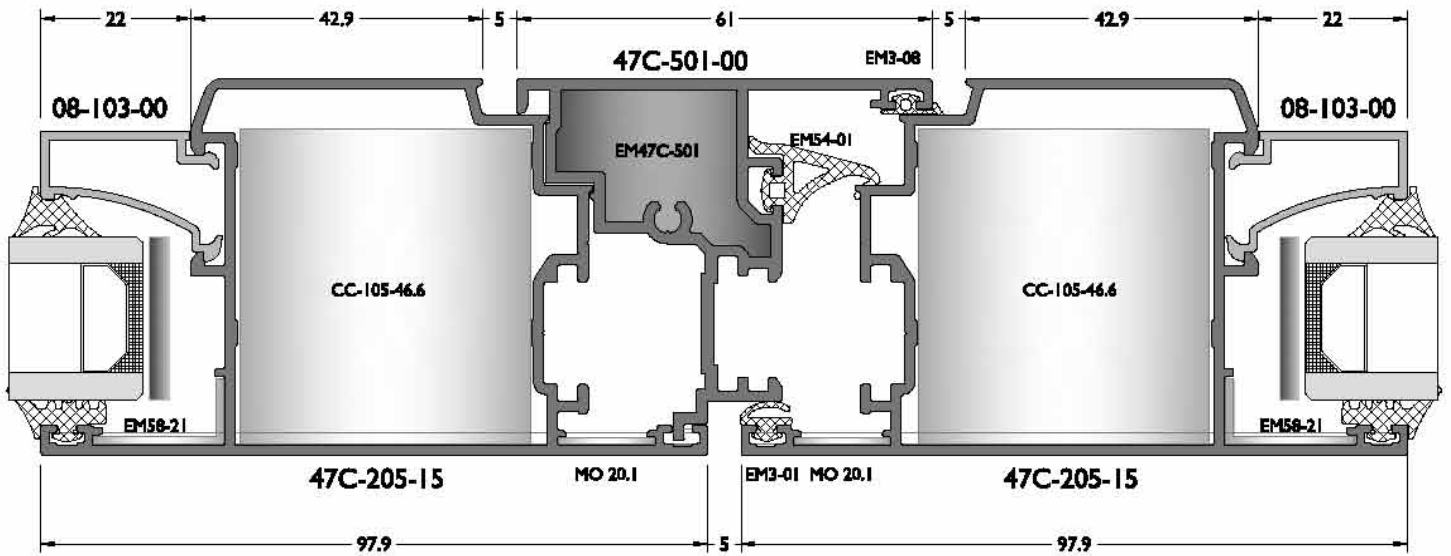
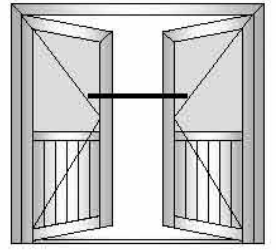
# Details / detaylar

Inside opening door / içe açılır kapı



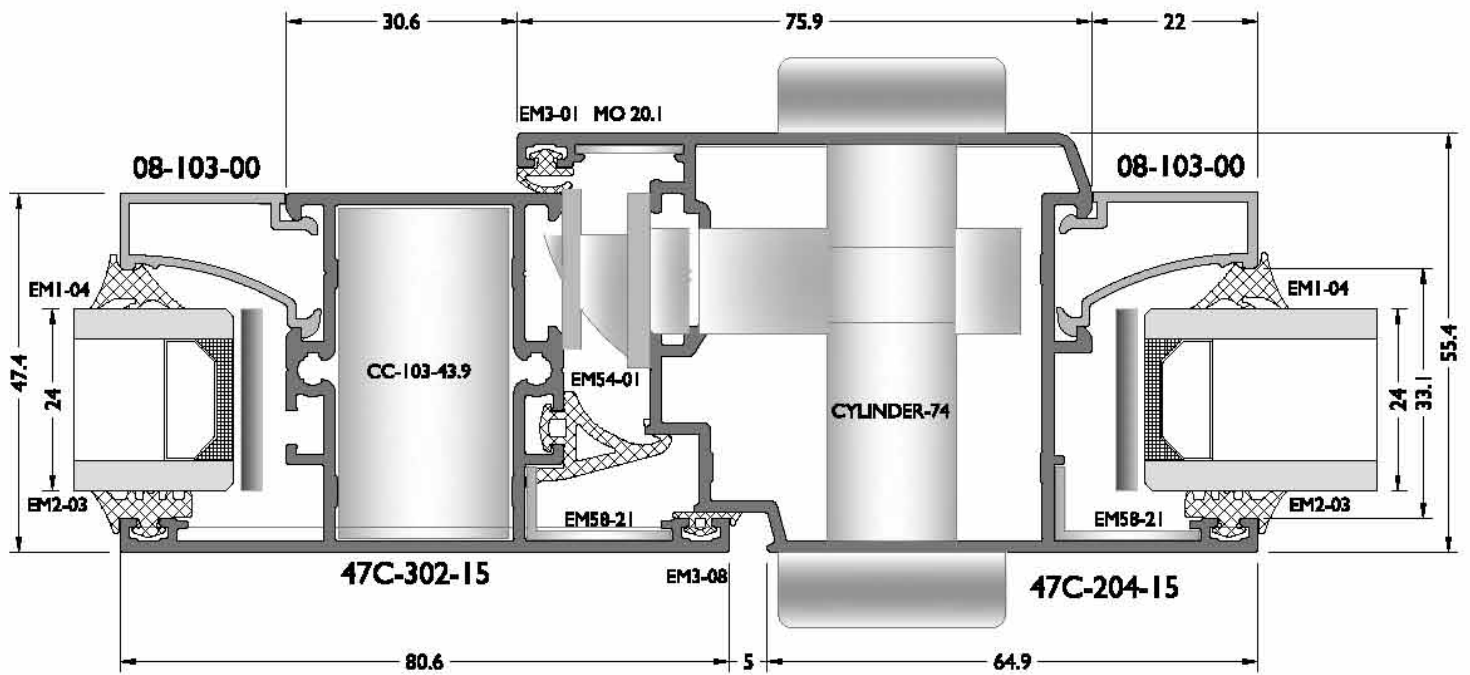
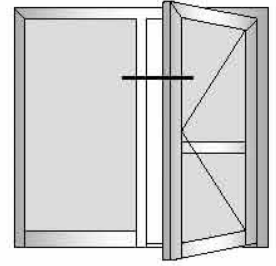
**Details / detaylar**

outside opening door / dışa açılır kapı



# Details / detaylar

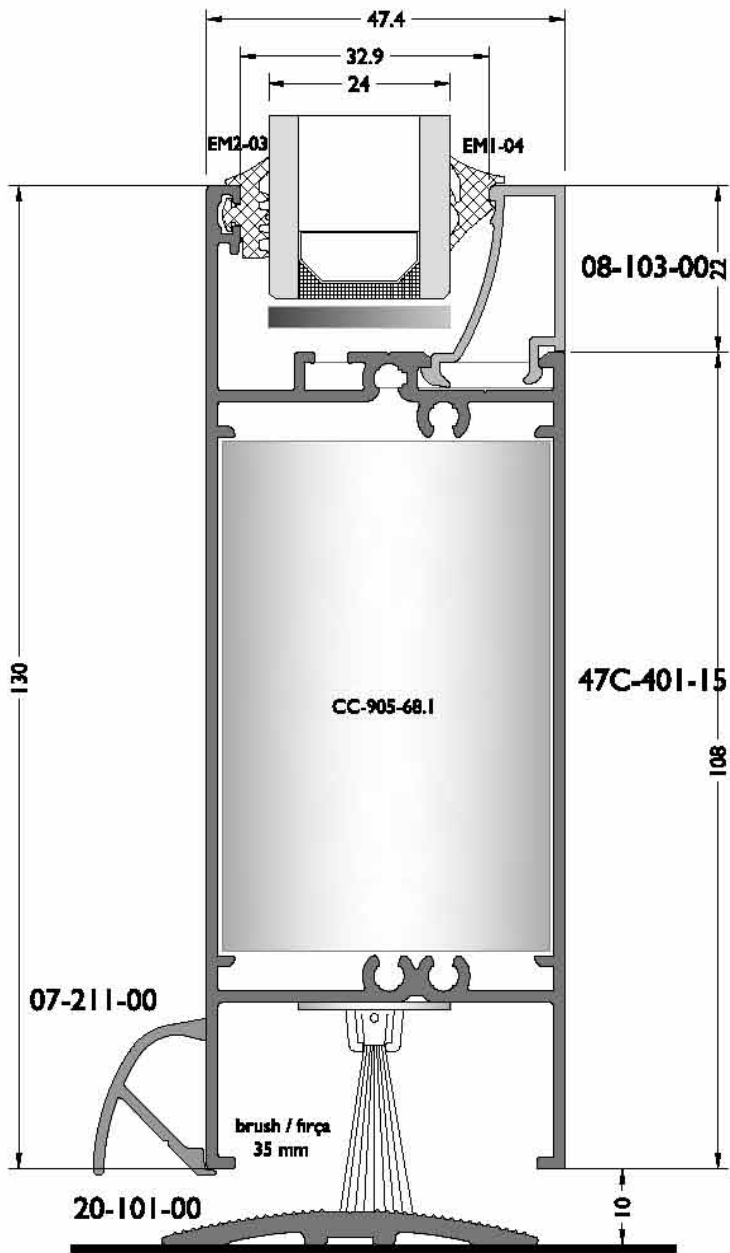
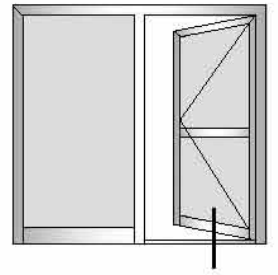
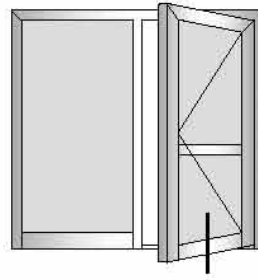
## Inside opening door / içe açılır kapı





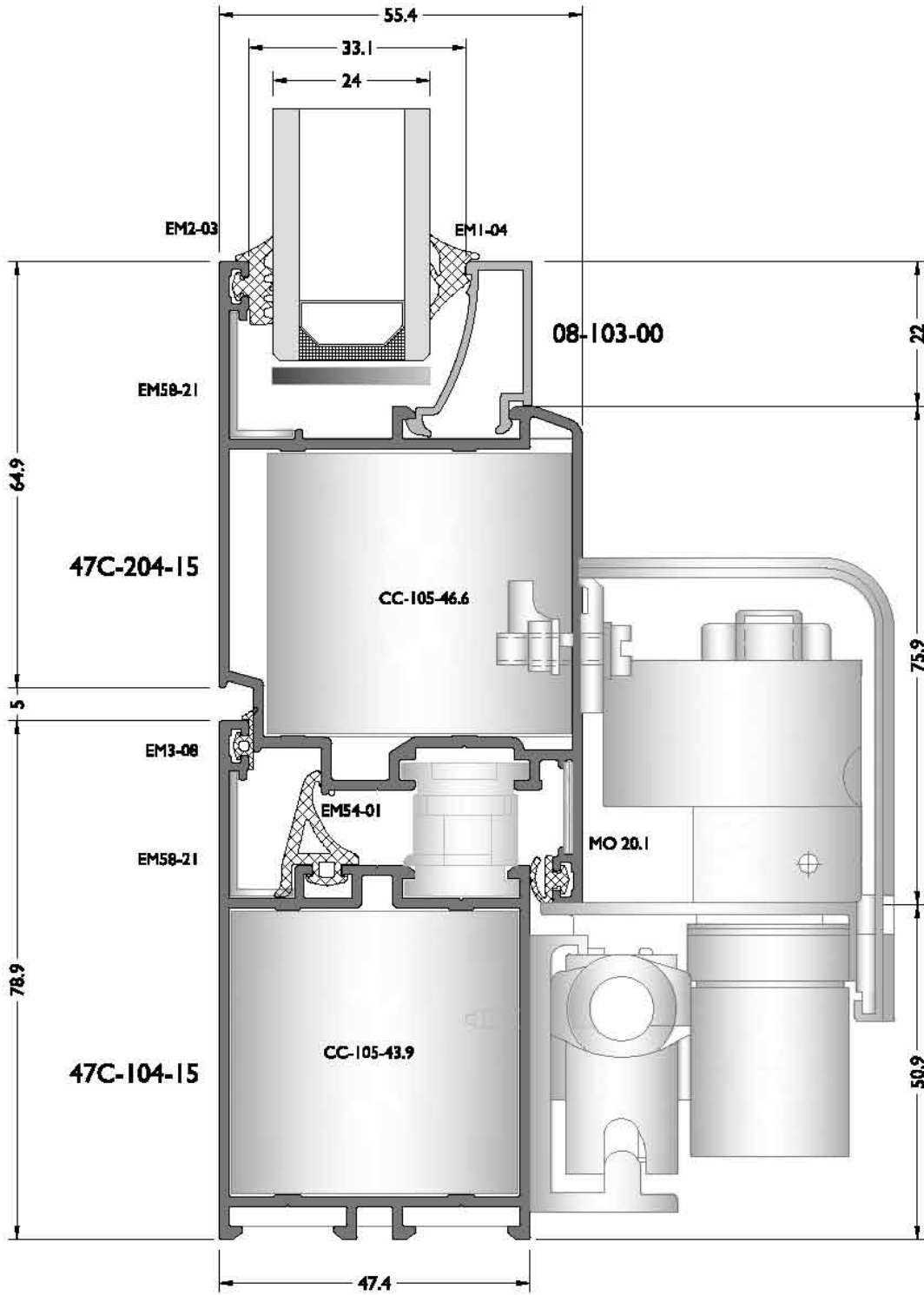
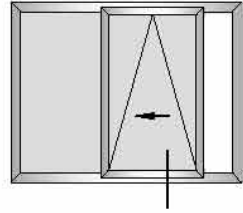
## Details / detaylar

Inside and Outside opening Door / ic ve dış açılır kapı



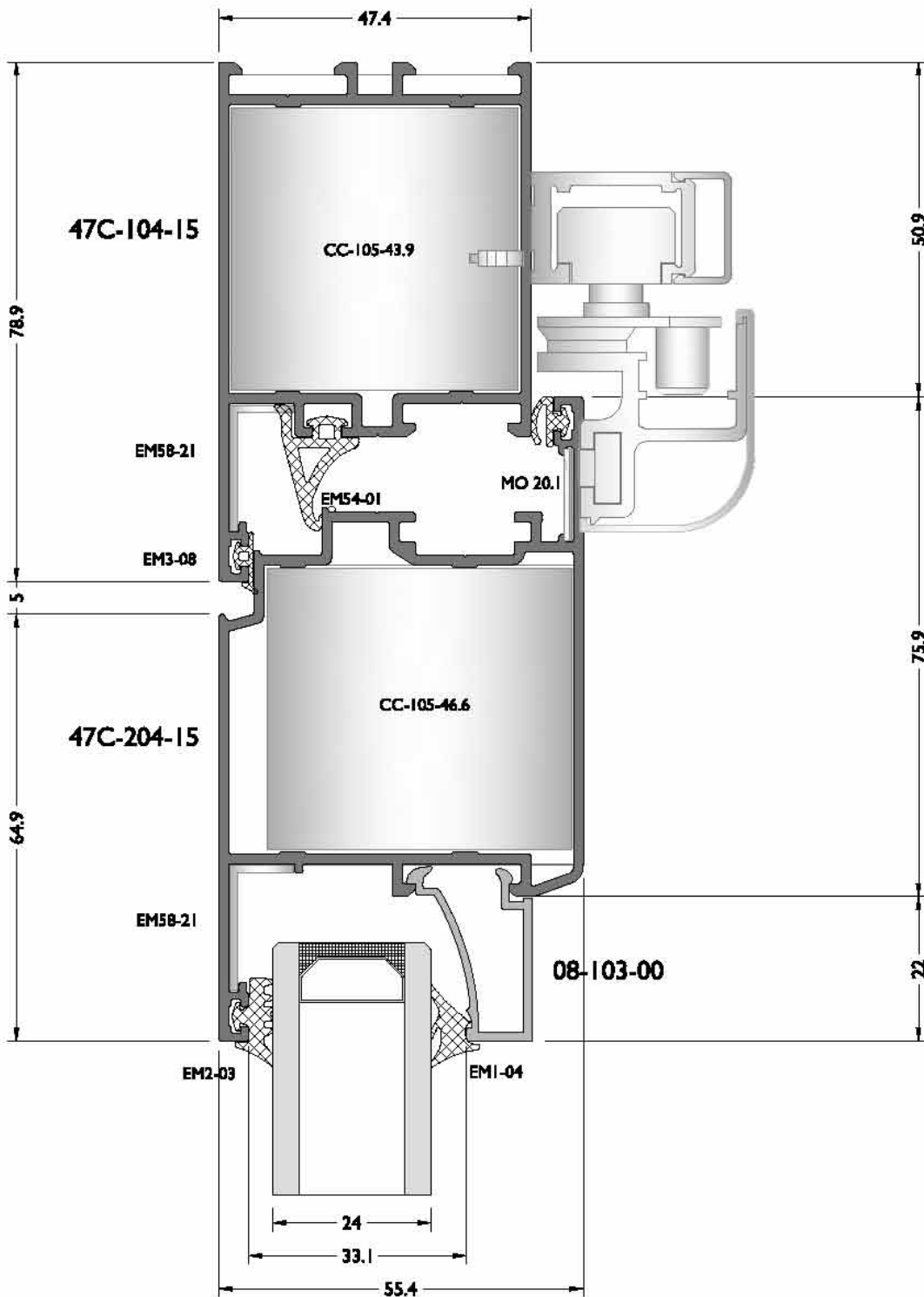
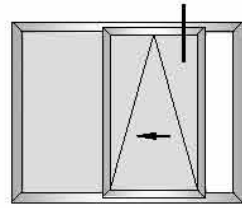
# Details / detaylar

tilt&slide openings door / paralel sürme



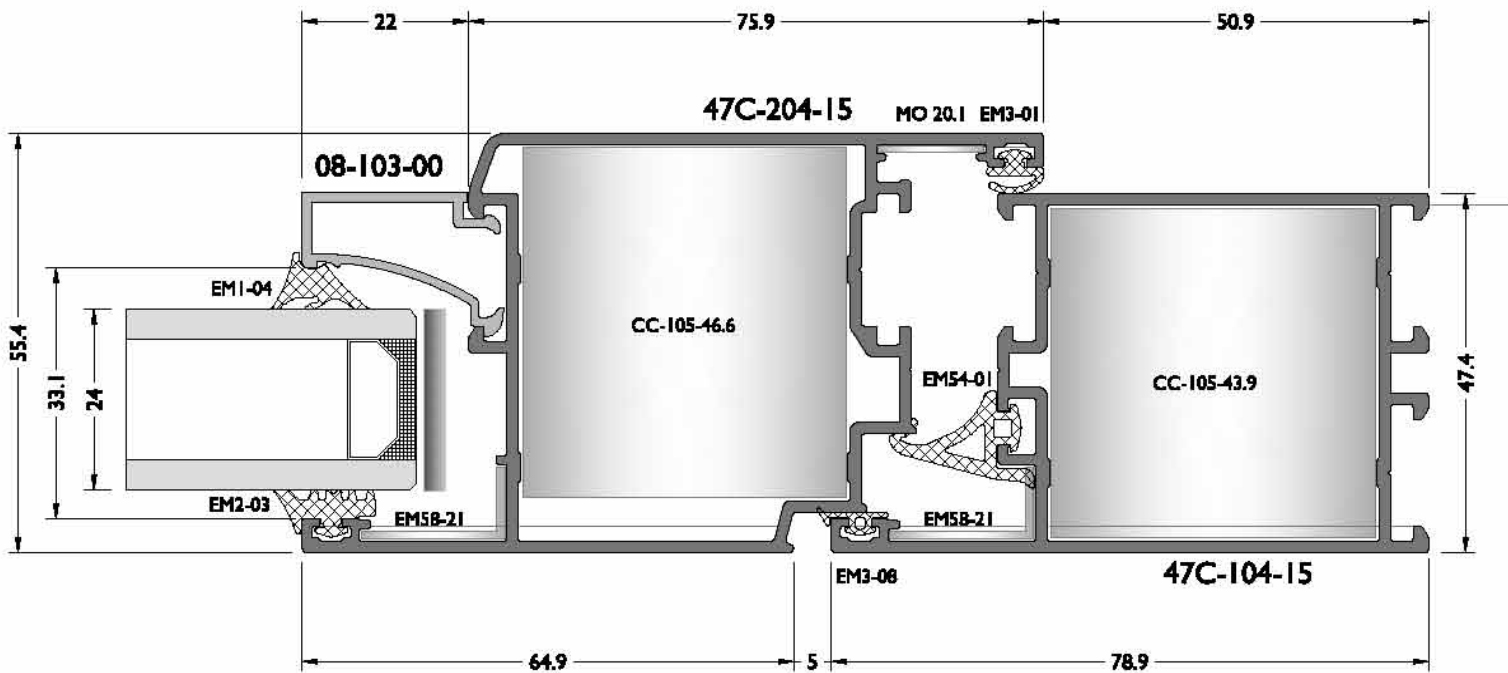
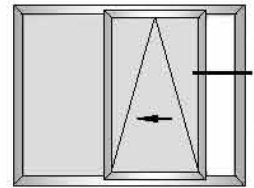
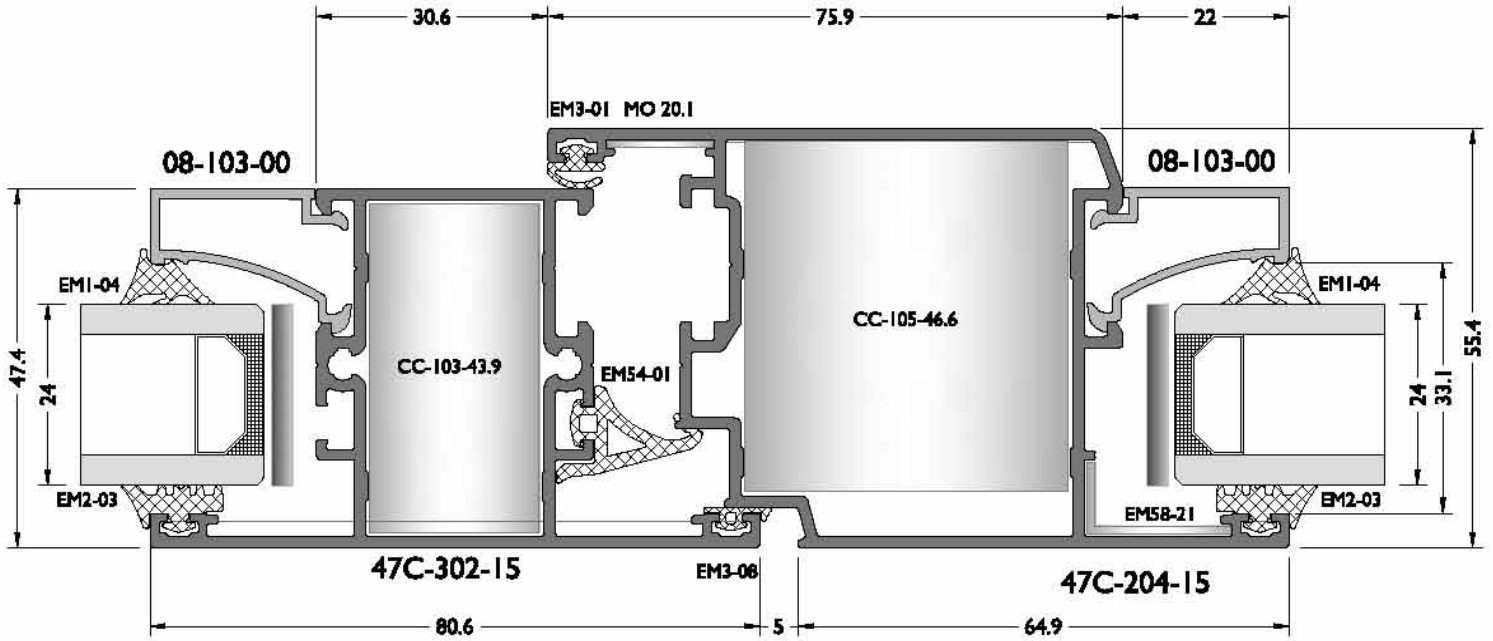
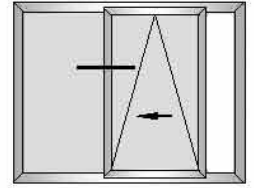
# Details / detaylar

tilt&slide openings door / paralel sürme



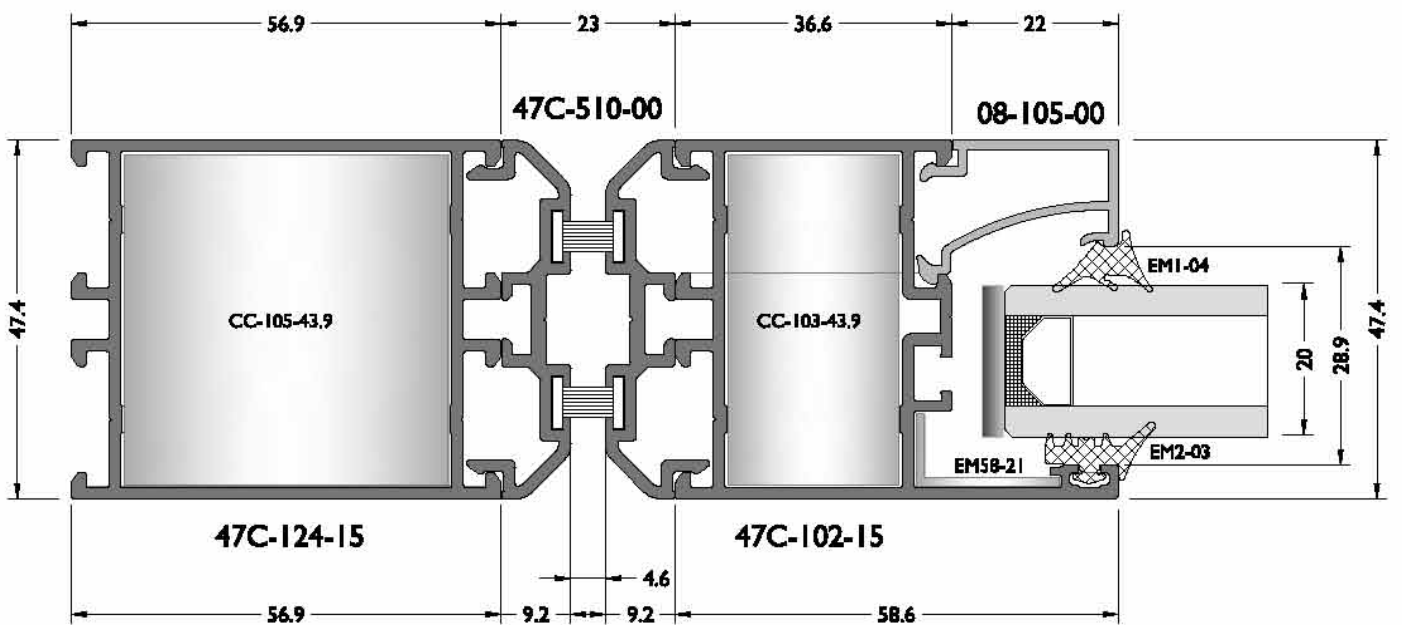
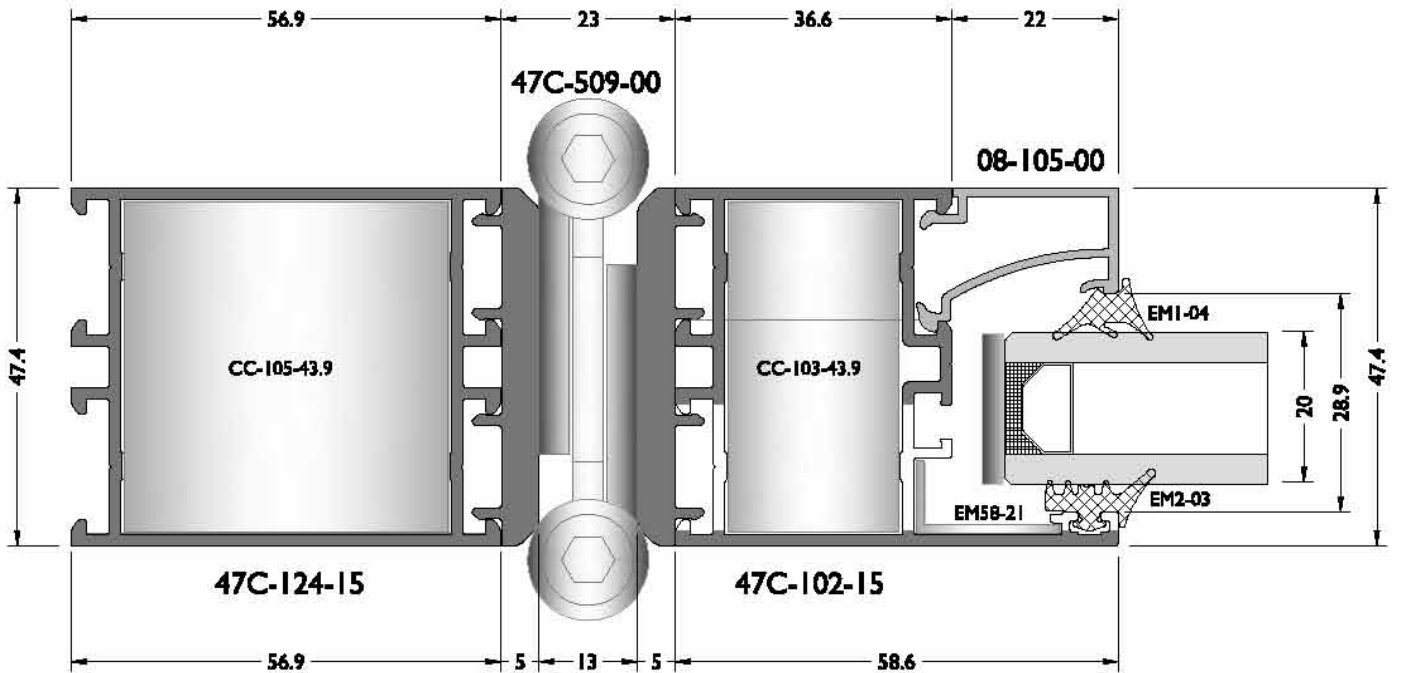
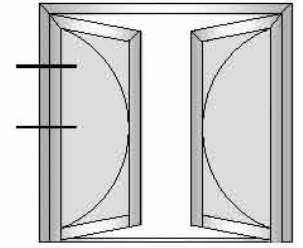
# Details / detaylar

tilt&slide openings door / paralel sürme



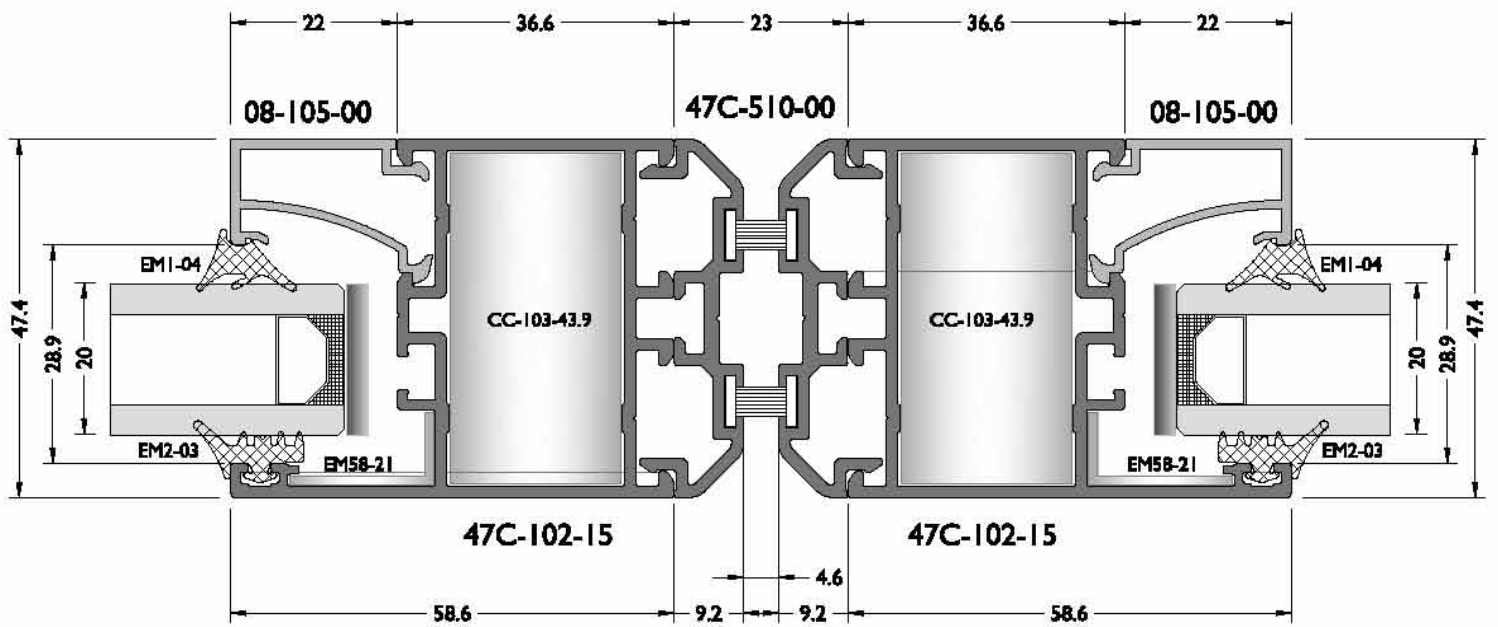
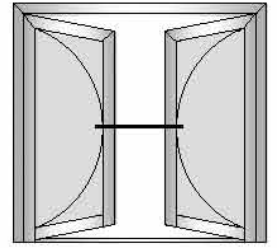
# Details / detaylar

swinging door / çarpma kapı



## Details / detaylar

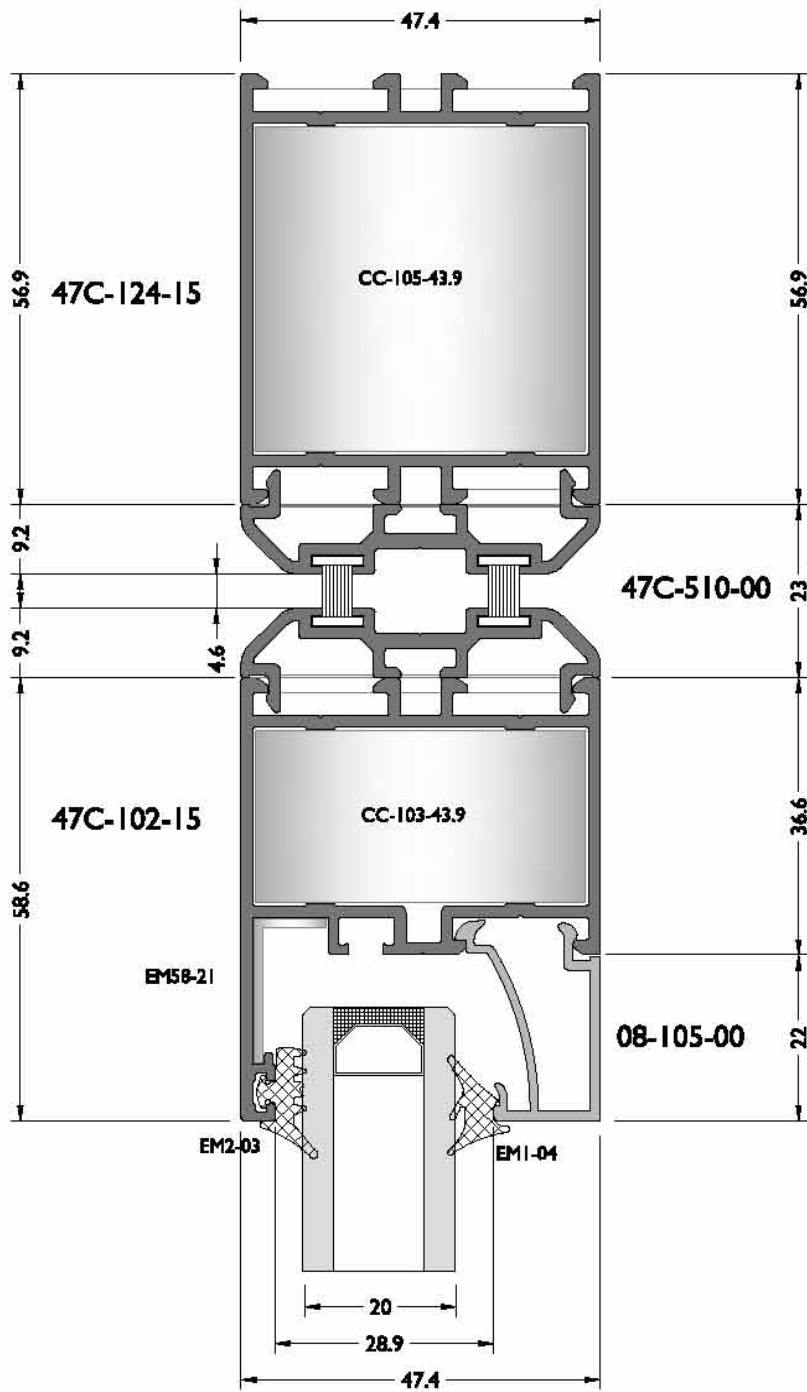
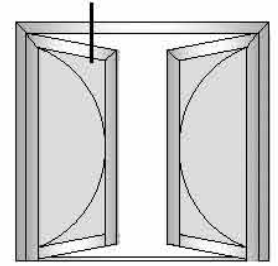
swinging door / çarpma kapı





# Details / detaylar

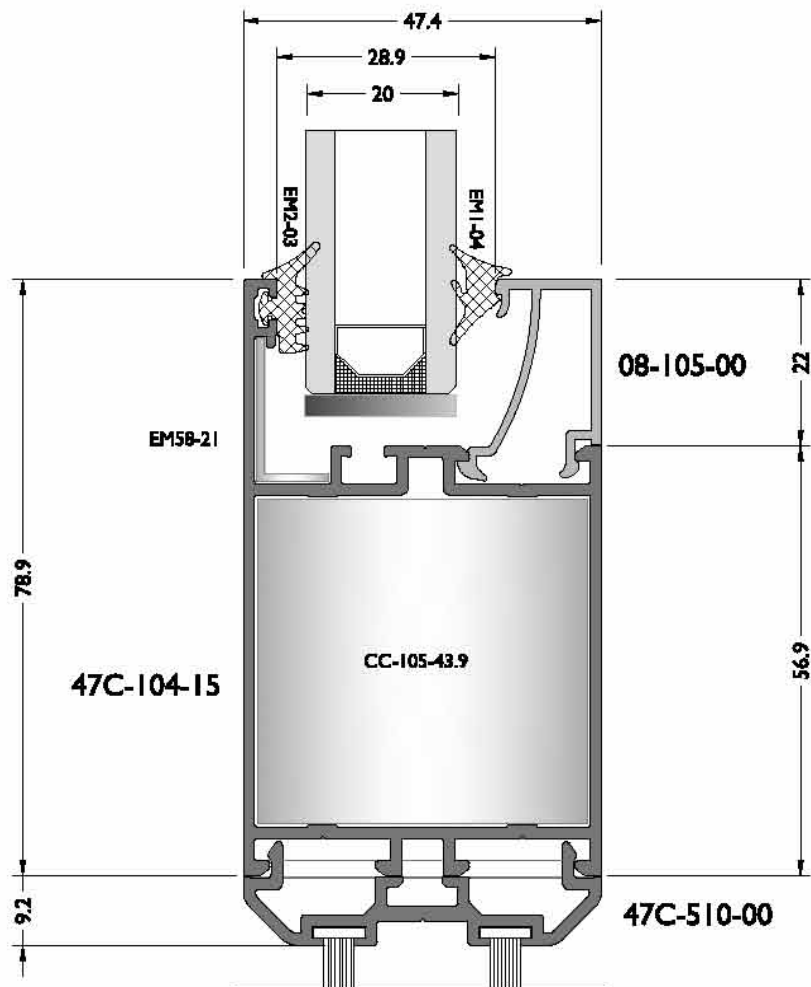
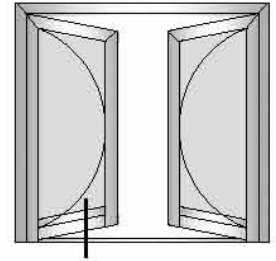
swinging door / çarpma kapı





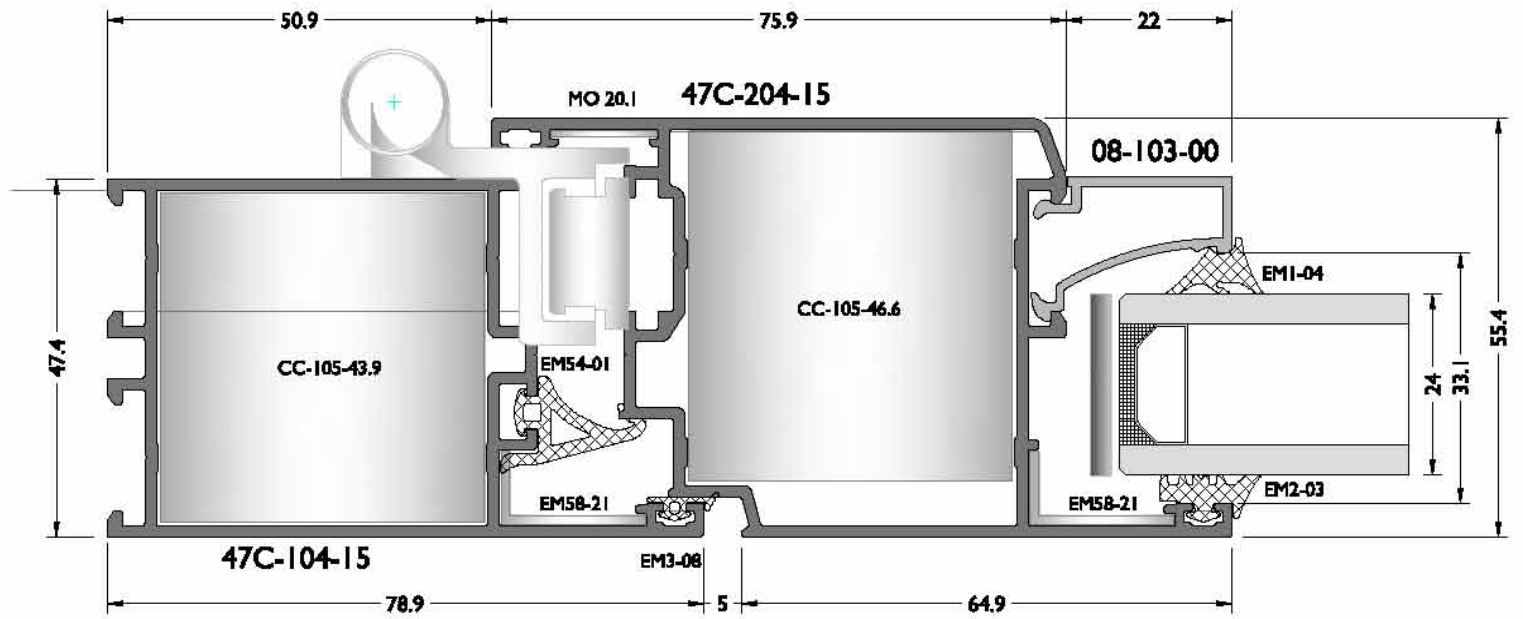
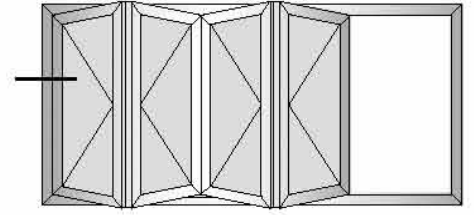
Details / detaylar

swinging door / çarpma kapı



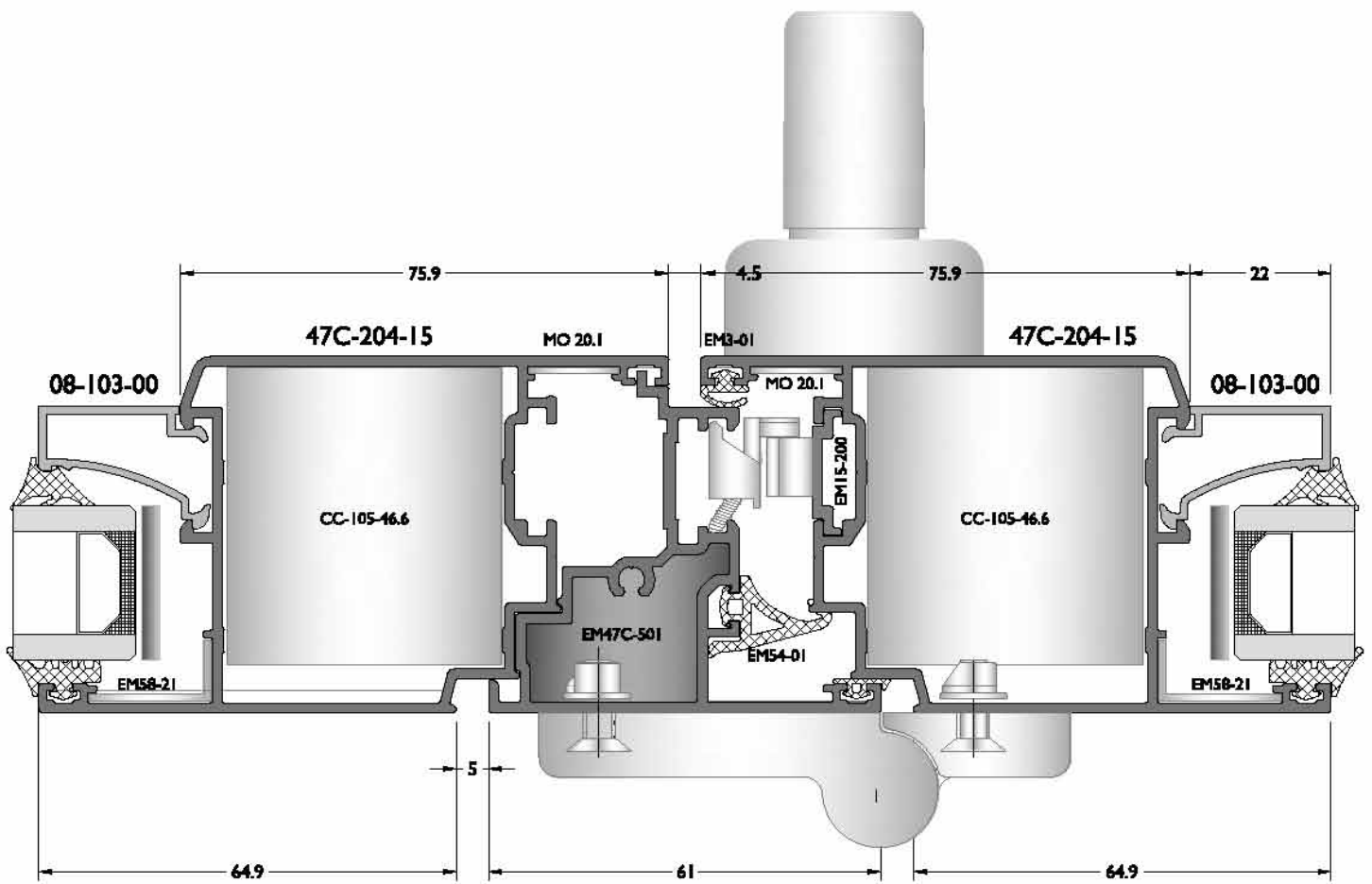
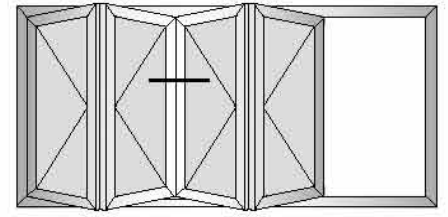
# Details / detaylar

folded door / katlanır kapı



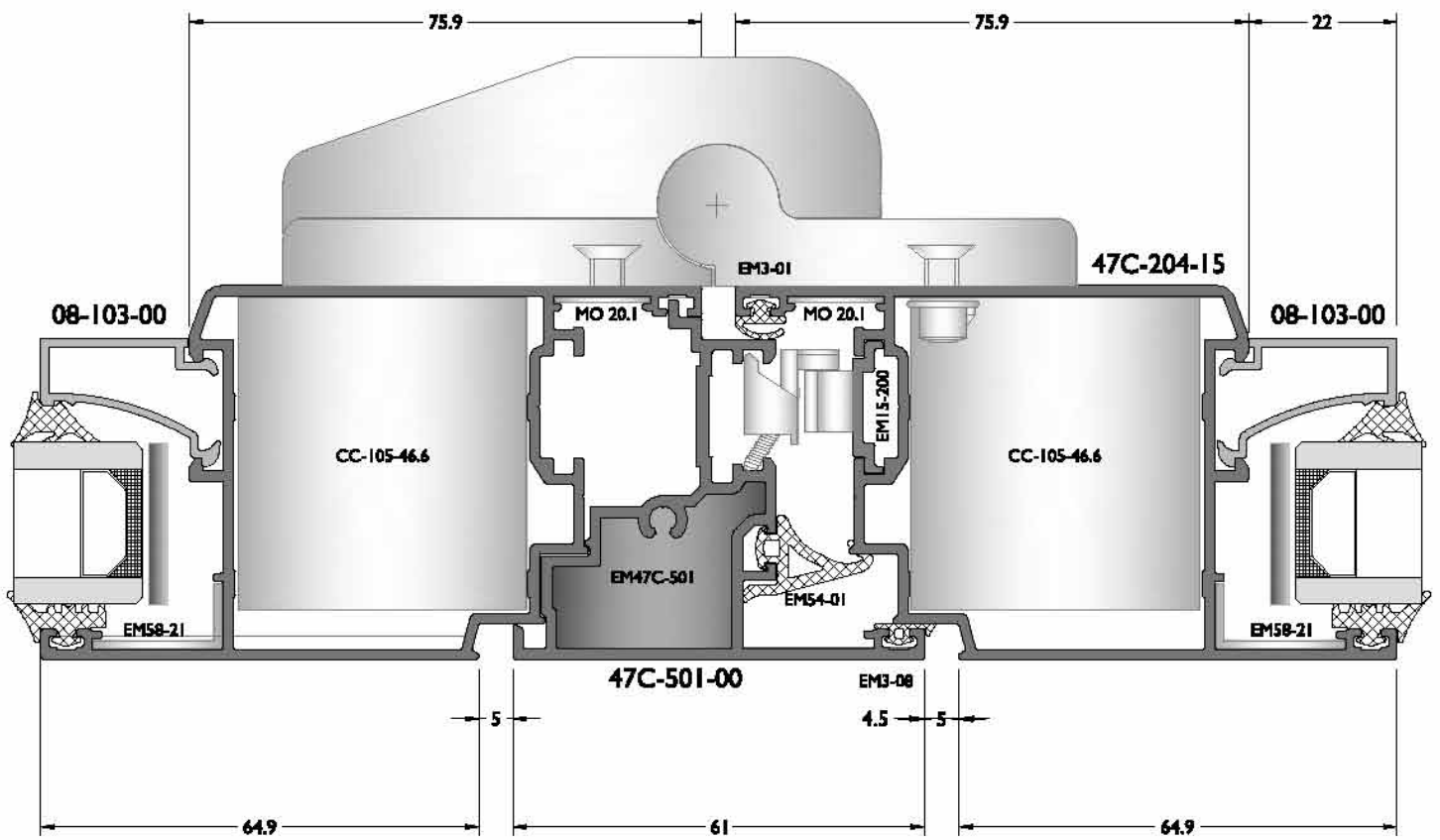
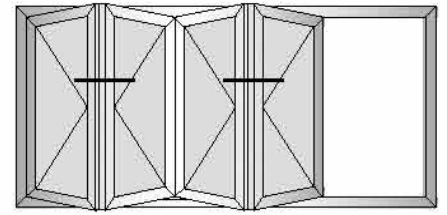
Details / detaylar

folding door / katlanır kapı



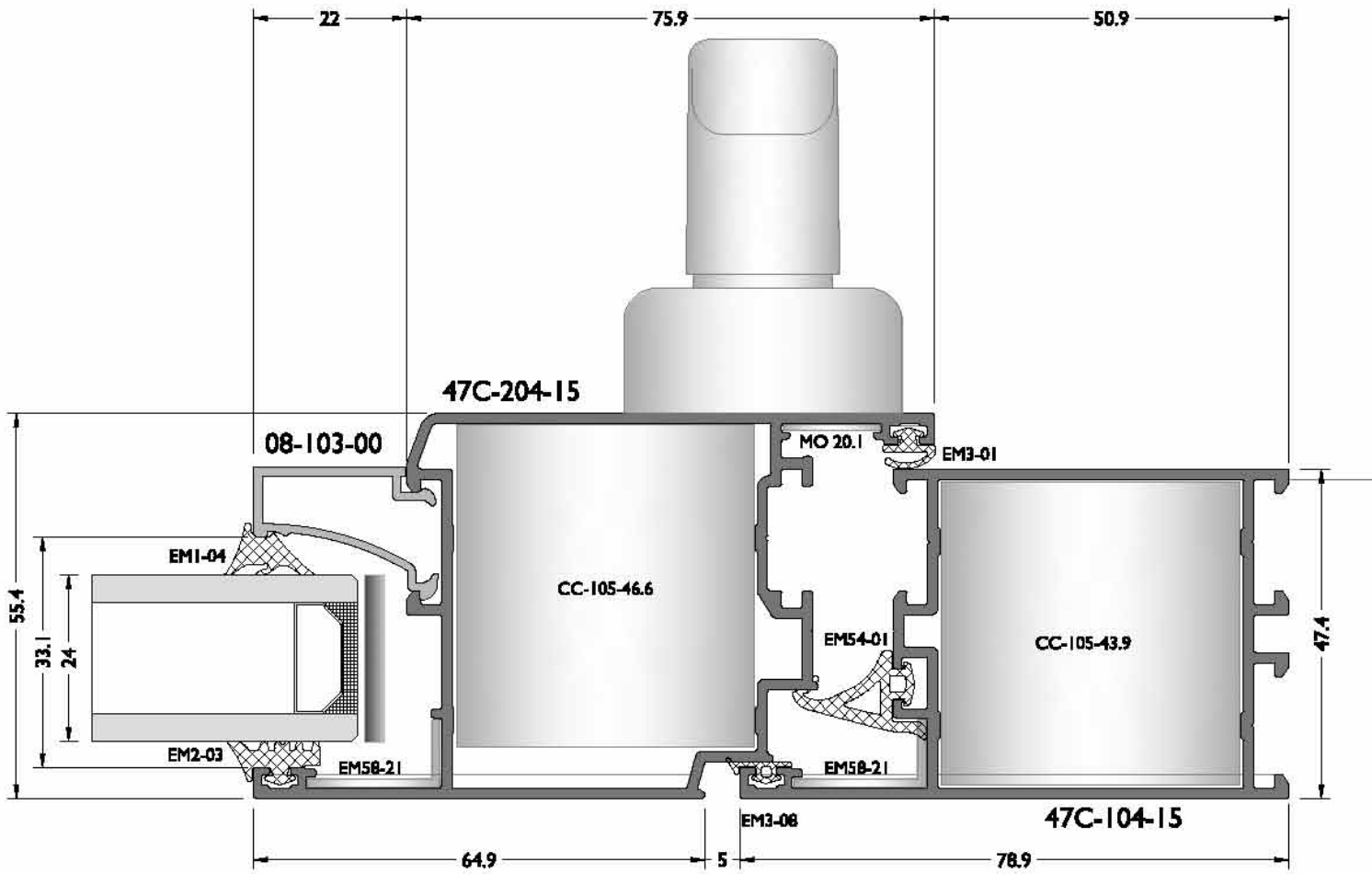
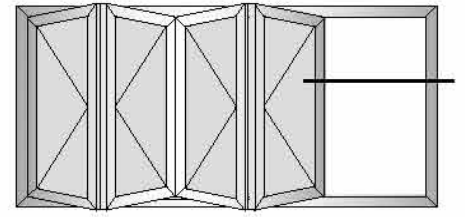
Details / detaylar

folding door / katlanır kapı



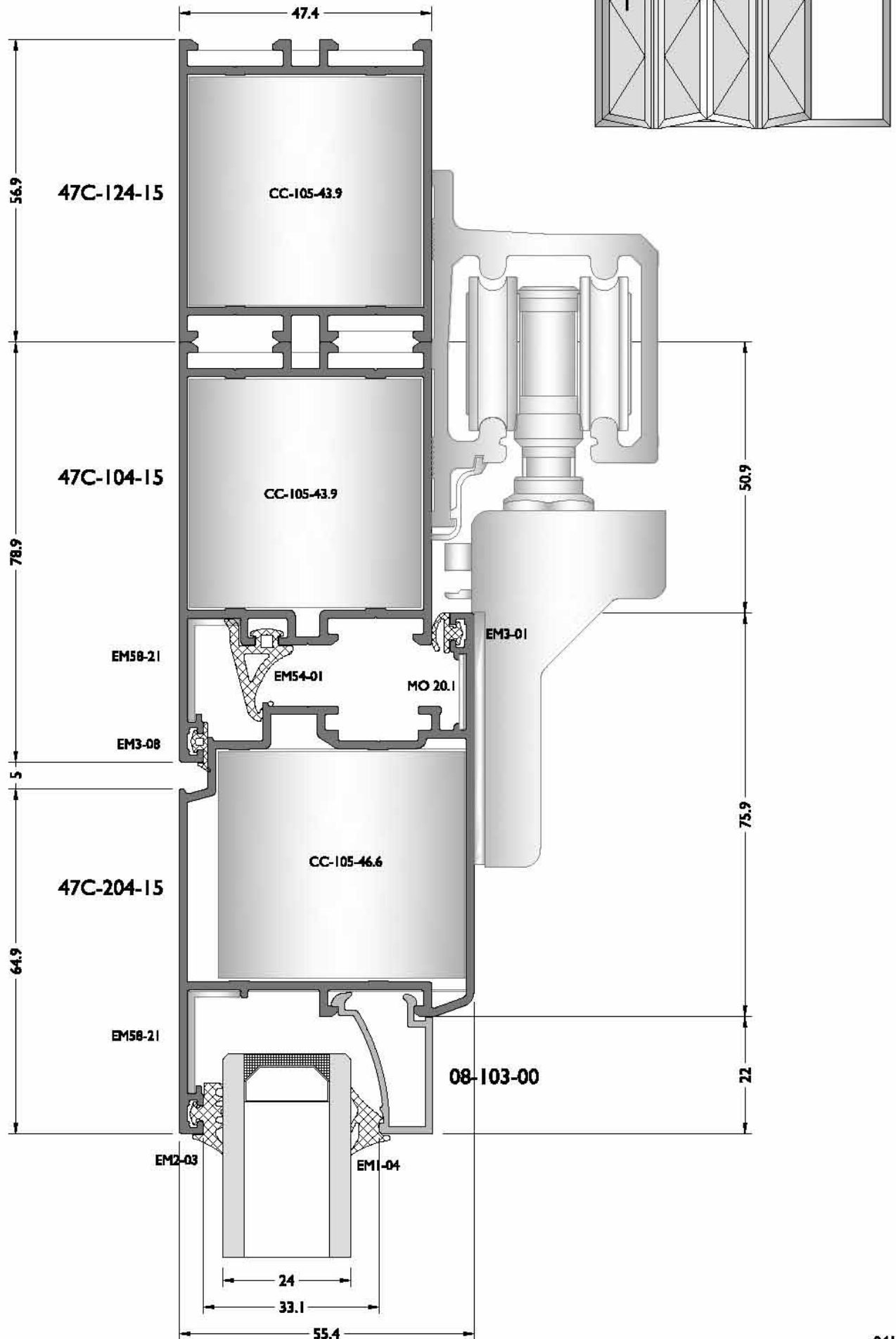
Details / detaylar

folding door / katlanır kapı



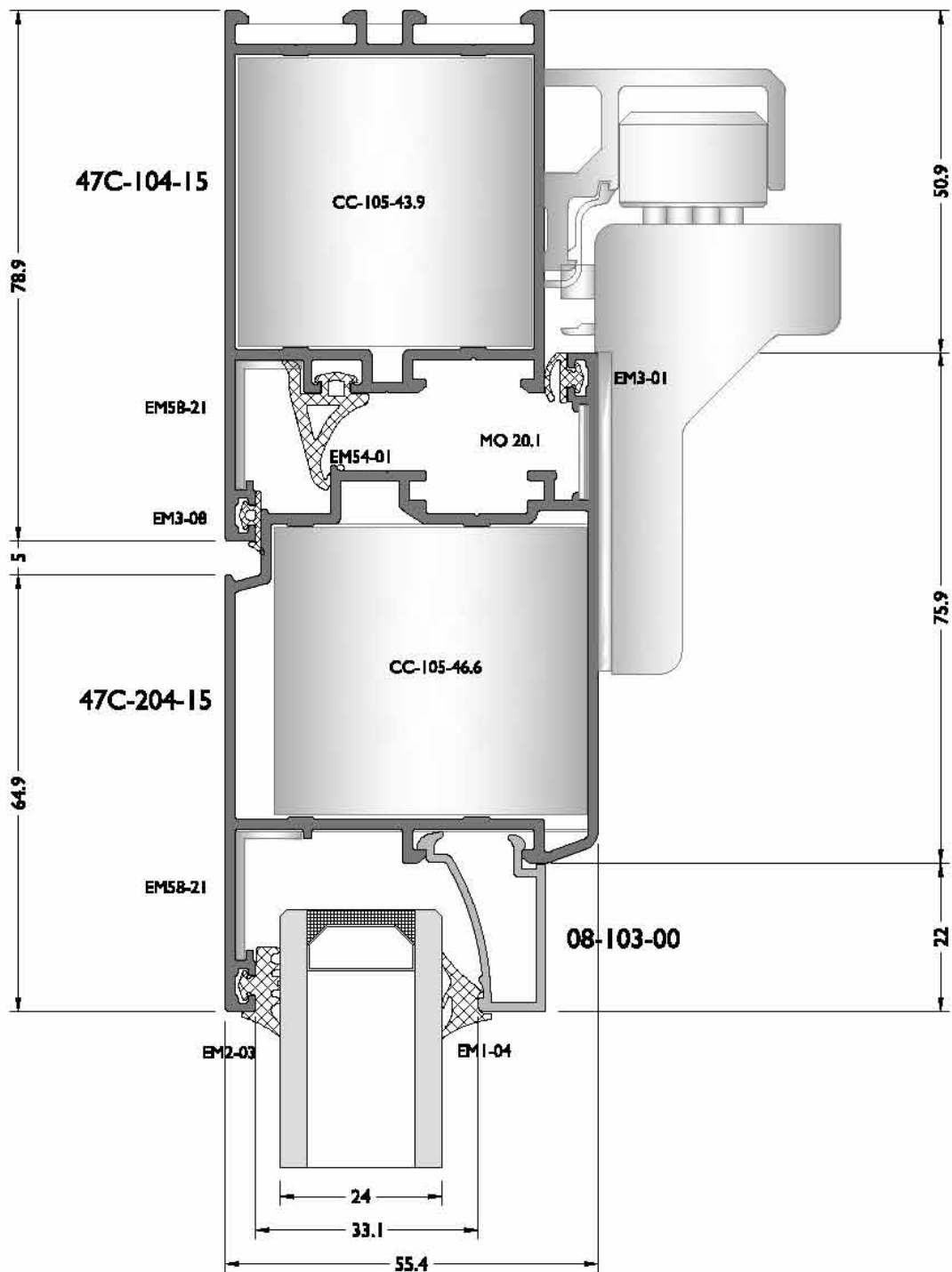
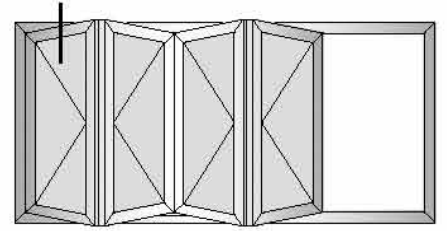
# Details / detaylar

folding door / katlanır kapı



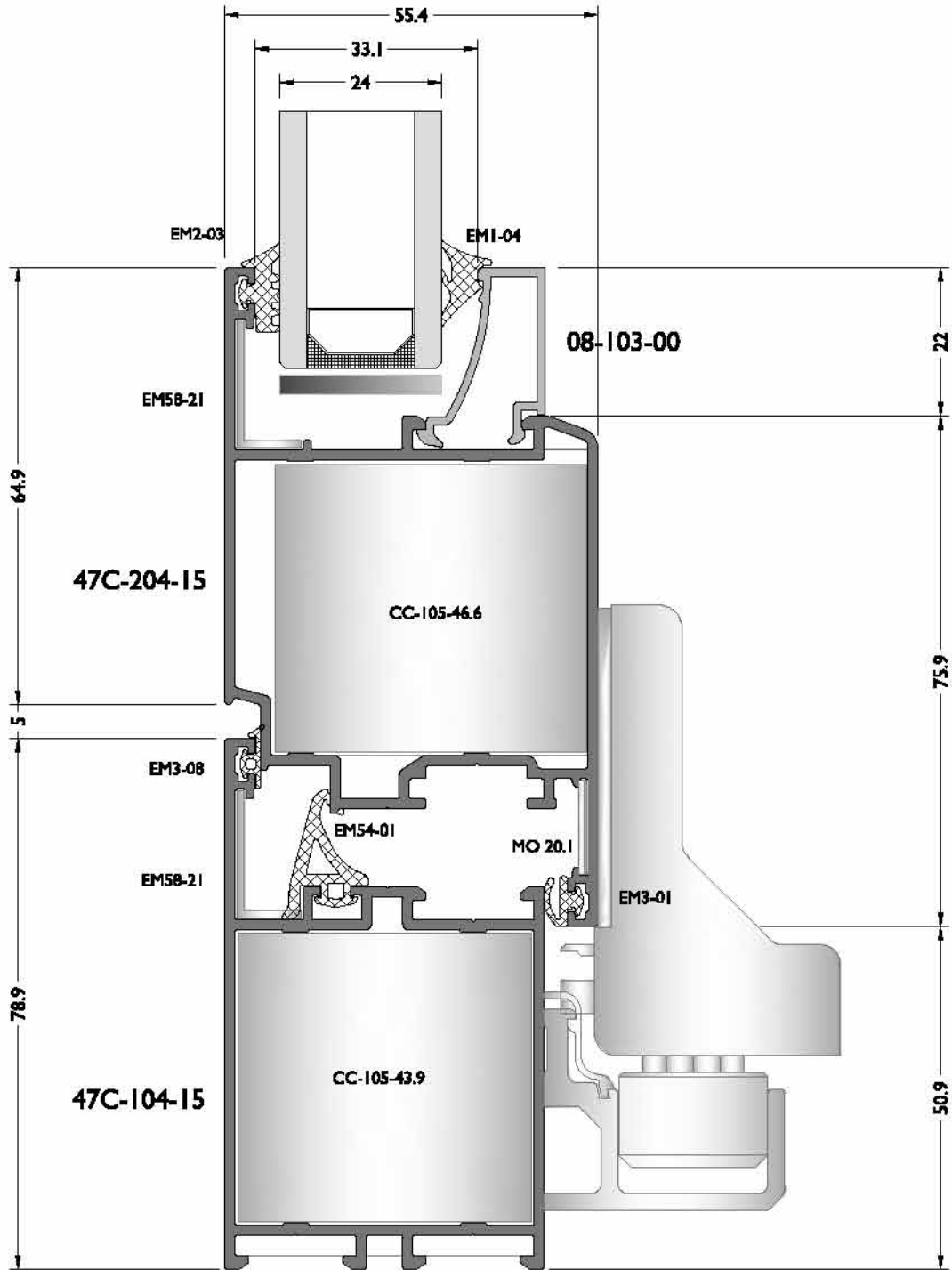
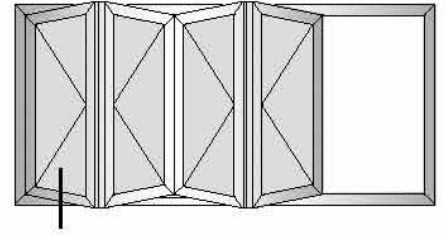
Details / detaylar

folding door / katlanır kapı



# Details / detaylar

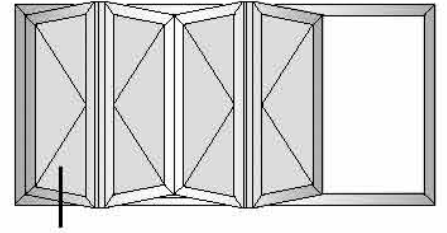
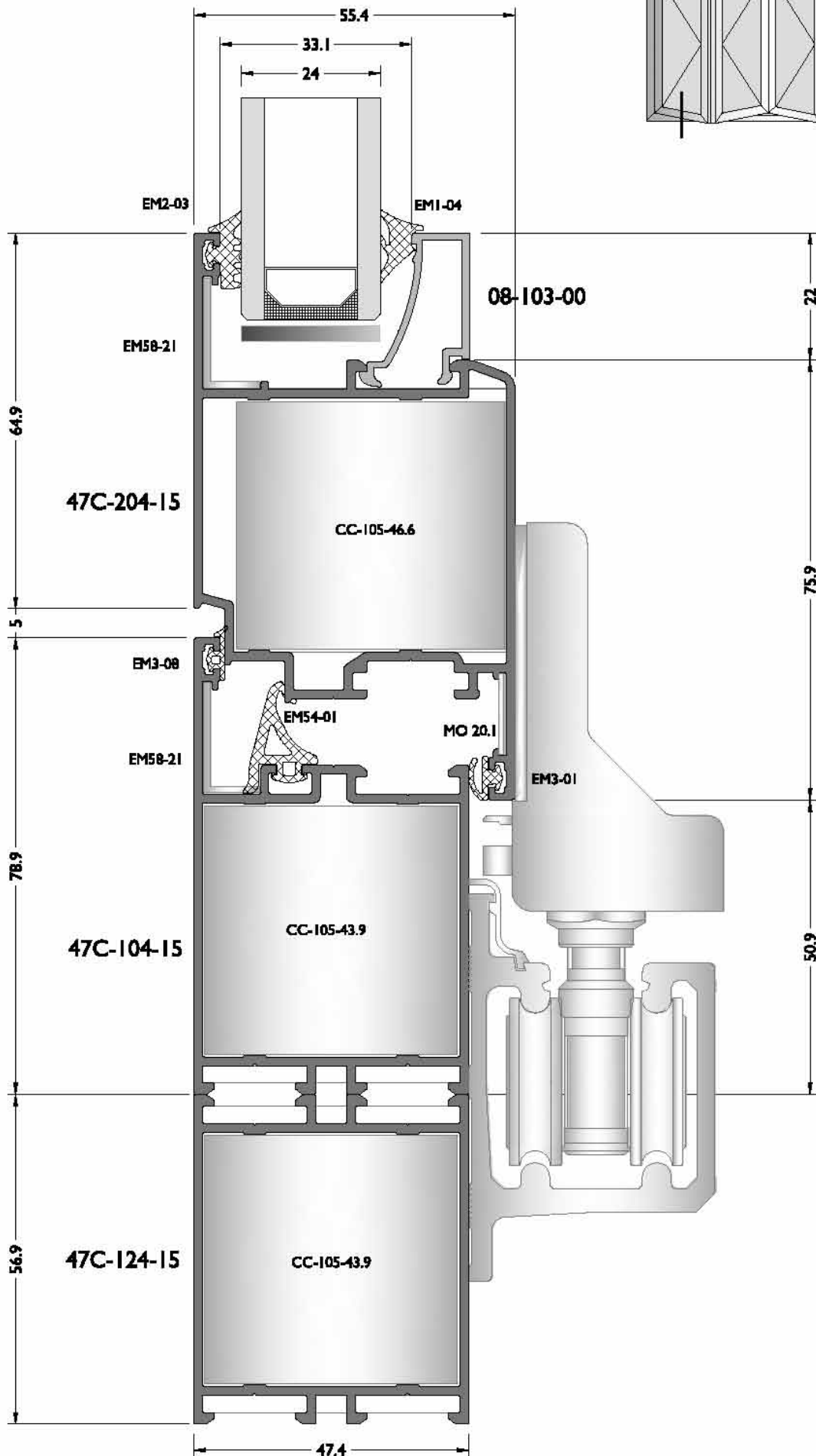
foldiing door / katlanır kapı

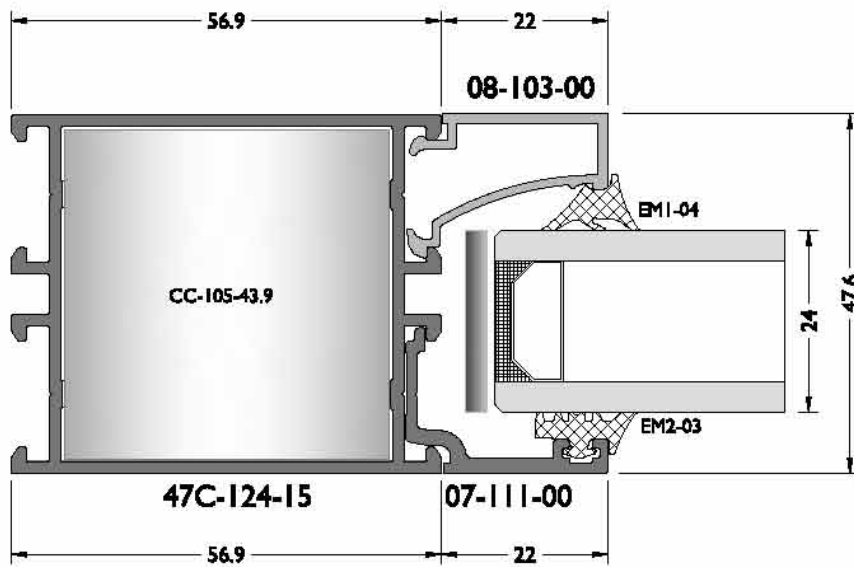
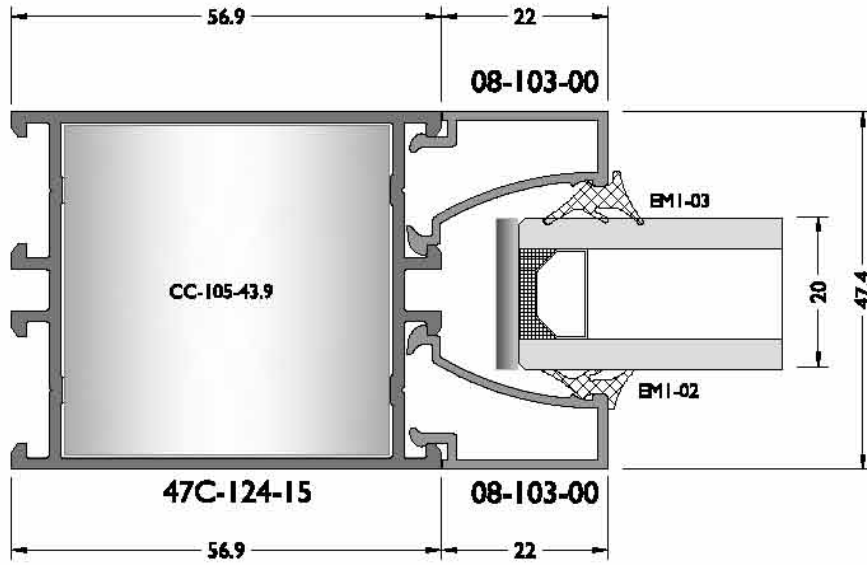
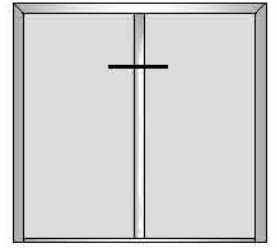


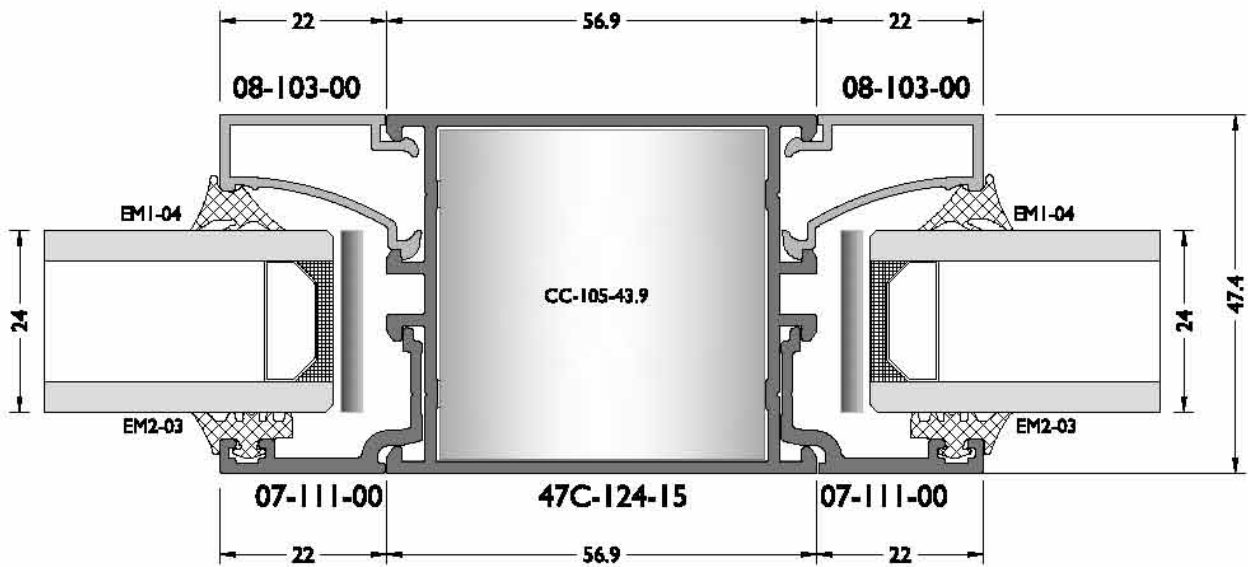
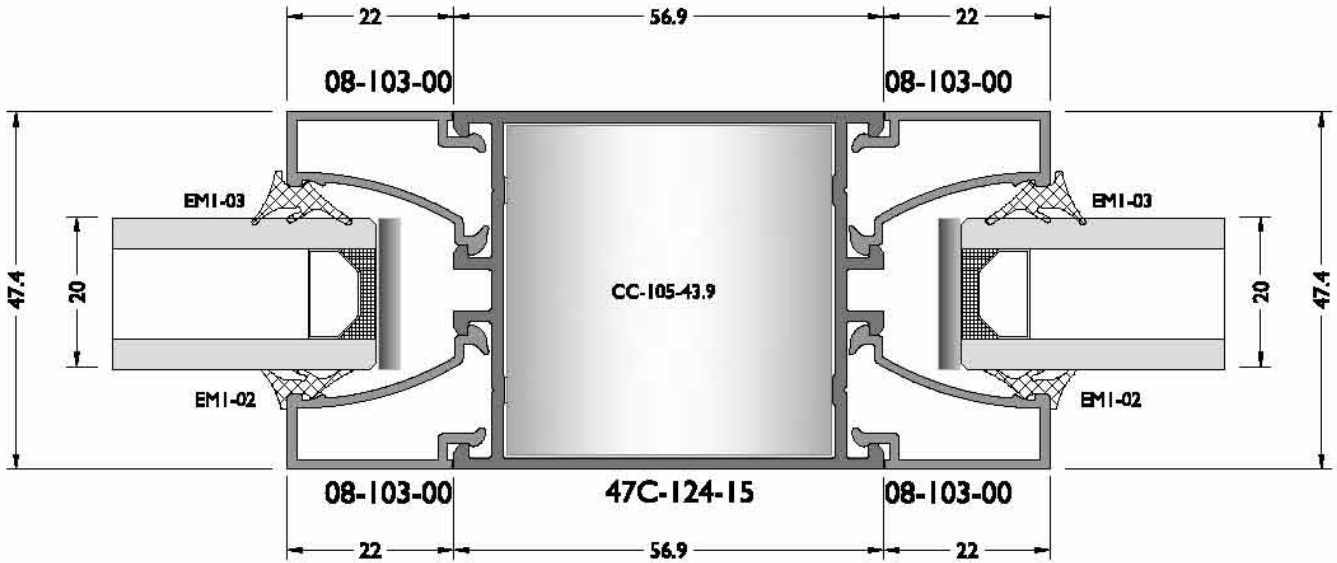
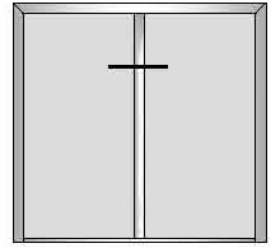


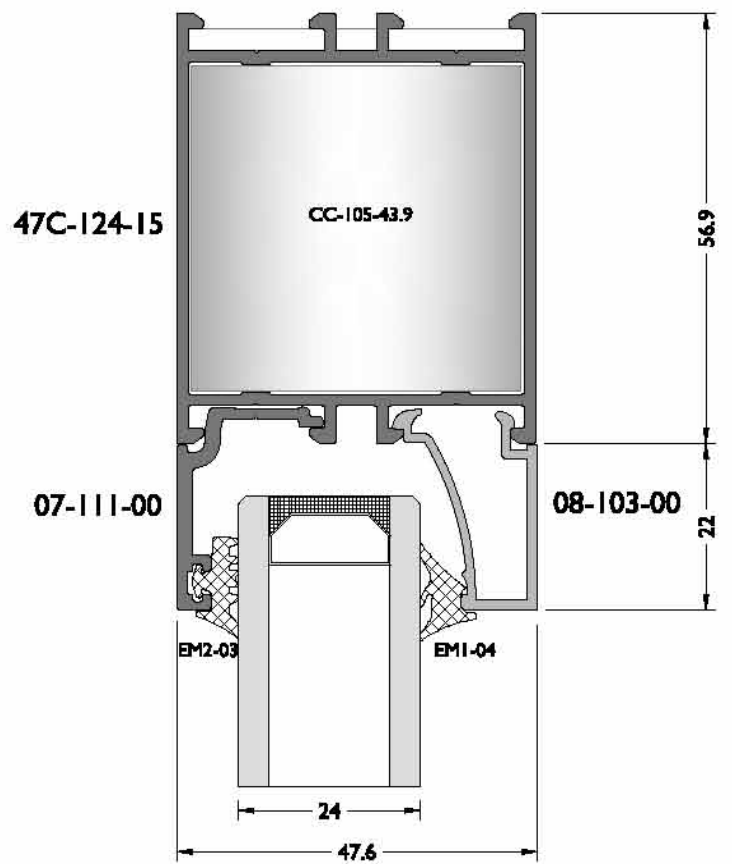
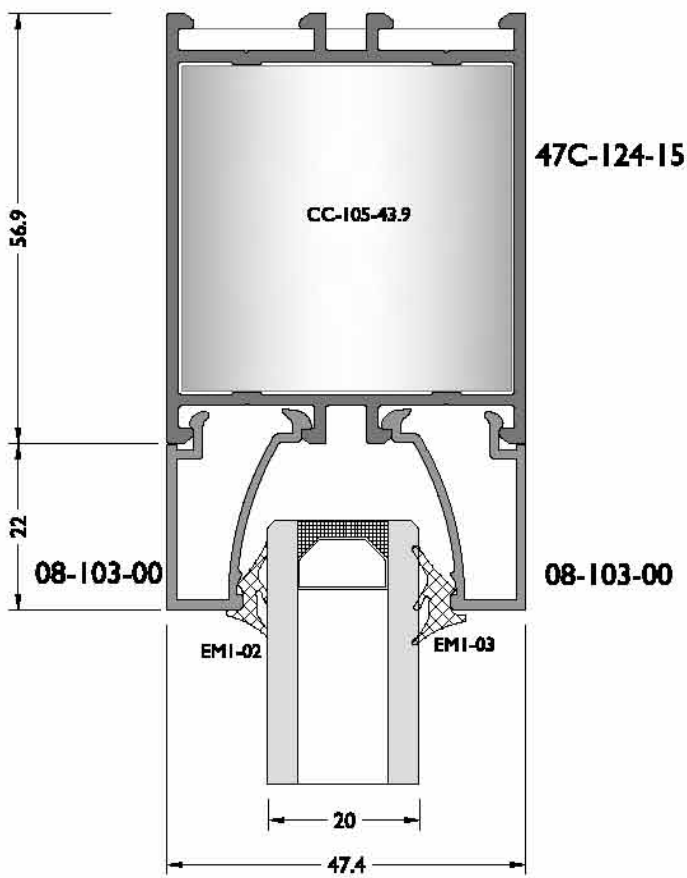
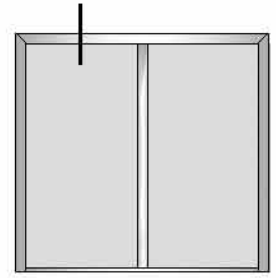
# Details / detaylar

folding door / katlanır kapı





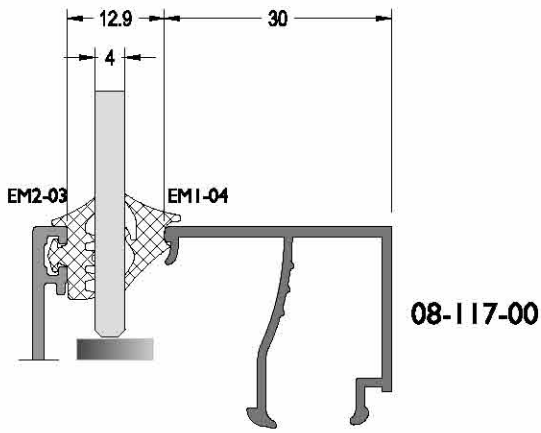




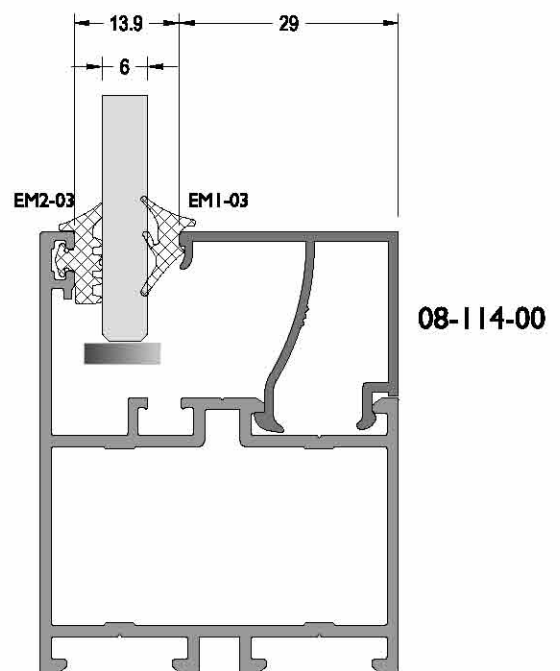
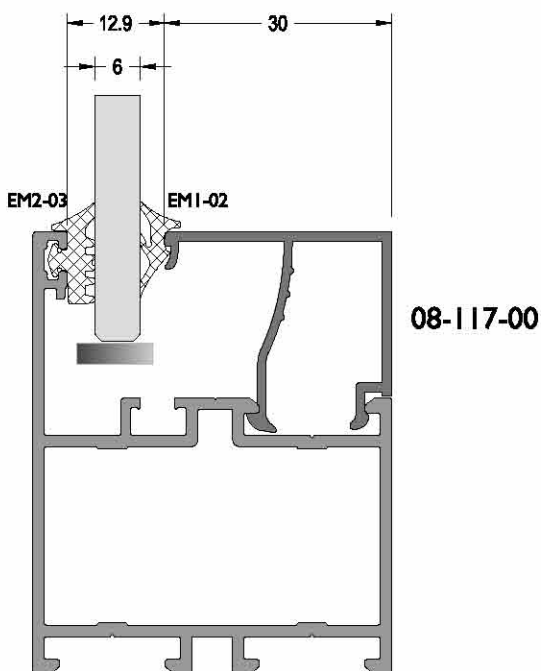
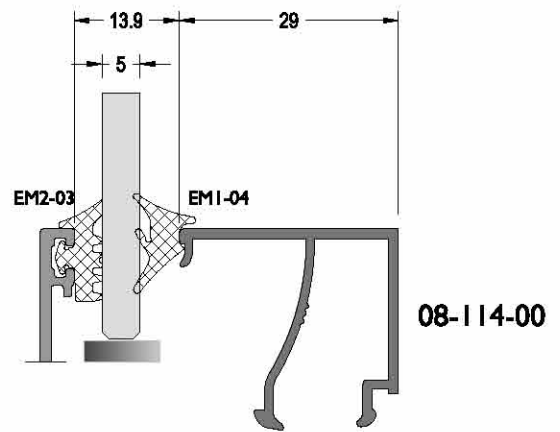
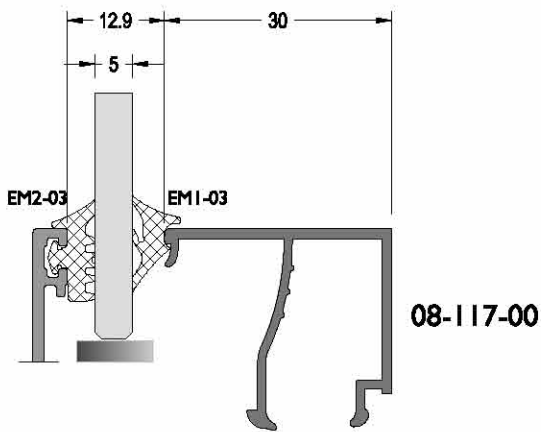
**Cam Tablolari**

**Glazing tables**

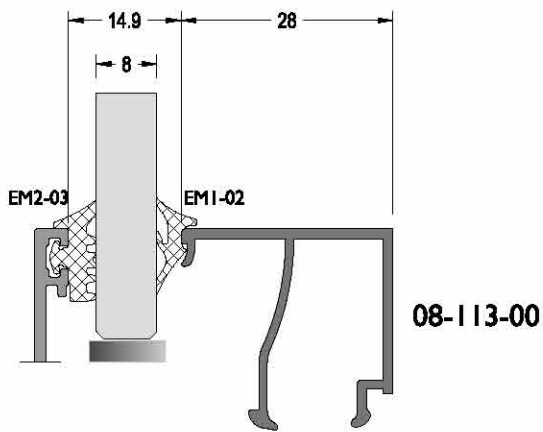
# Glazing tables / cam tabloları



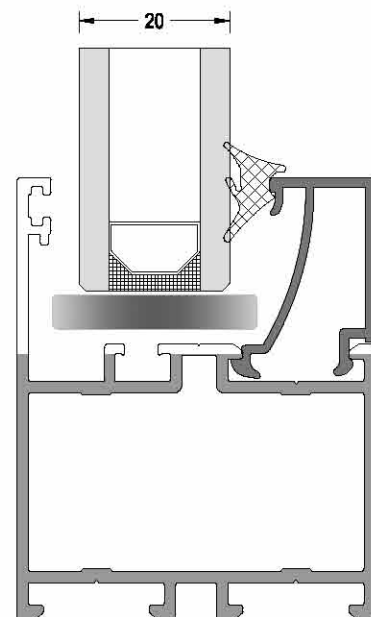
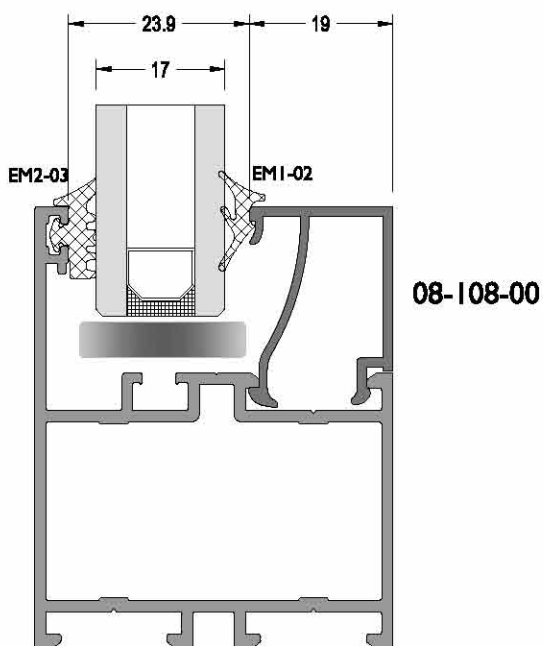
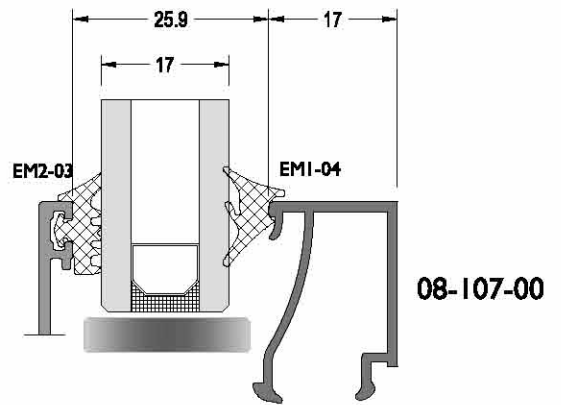
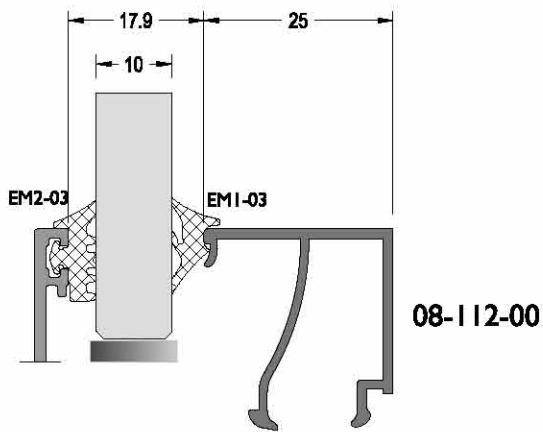
GLAZING THICKNESS	GLAZING GASKET INSIDE	GLAZING GASKET OUTSIDE	GLAZING BEAD
4 mm	EMI-04	EM2-03	08-117-00
5 mm	EMI-03	EM2-03	08-117-00
6 mm	EMI-02	EM2-03	08-117-00
5 mm	EMI-04	EM2-03	08-114-00
6 mm	EMI-03	EM2-03	08-114-00



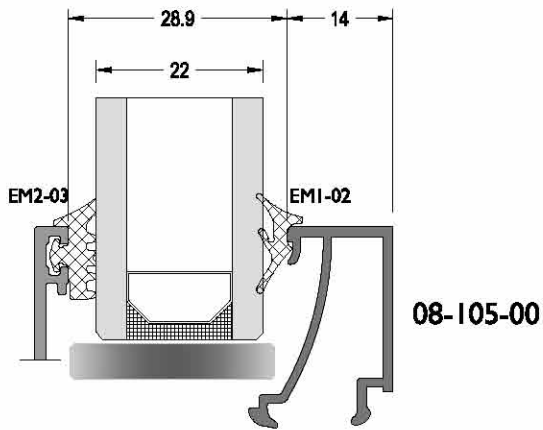
## Glazing tables / cam tabloları



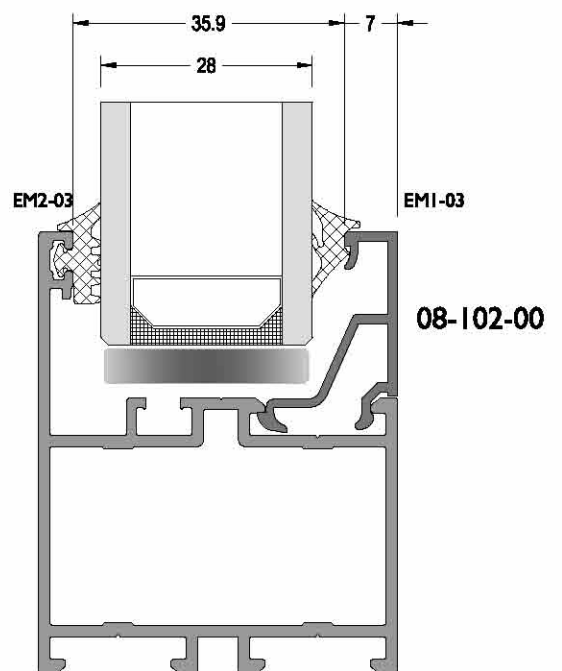
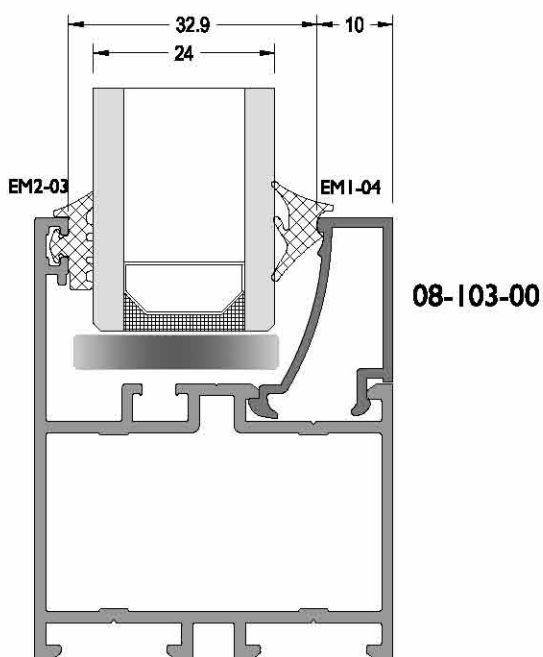
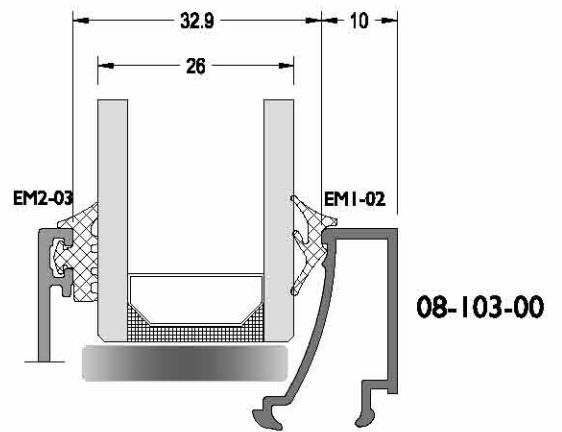
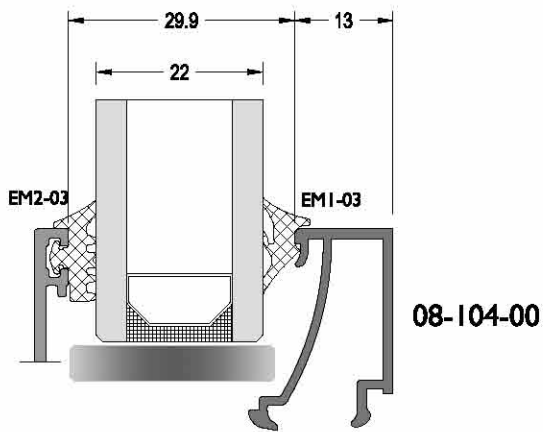
GLAZING THICKNESS	GLAZING GASKET INSIDE	GLAZING GASKET OUTSIDE	GLAZING BEAD
8 mm	EM1-02	EM2-03	08-113-00
10 mm	EM1-03	EM2-03	08-112-00
17 mm	EM1-02	EM2-03	08-108-00
17 mm	EM1-04	EM2-03	08-107-00
20 mm	EM1-04	EM2-03	08-105-00



# Glazing tables / cam tabloları



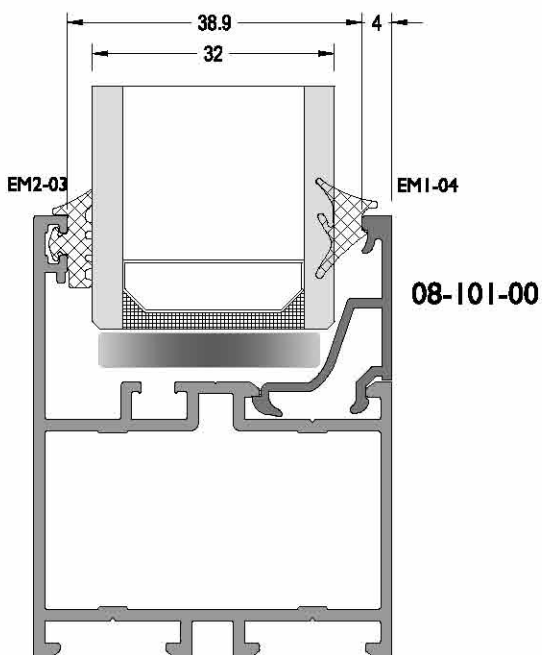
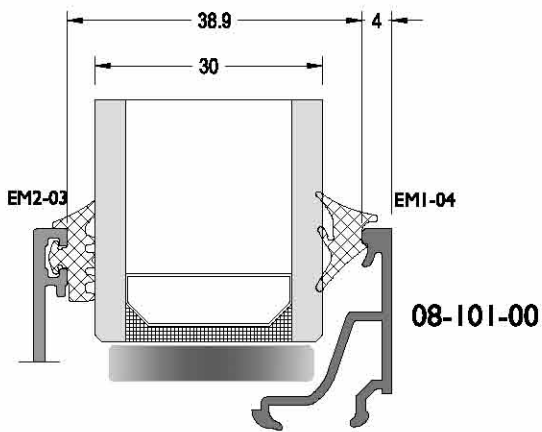
GLAZING THICKNESS	GLAZING GASKET INSIDE	GLAZING GASKET OUTSIDE	GLAZING BEAD
22 mm	EMI-02	EM2-03	08-105-00
22 mm	EMI-03	EM2-03	08-104-00
24 mm	EMI-04	EM2-03	08-103-00
26 mm	EMI-02	EM2-03	08-103-00
28 mm	EMI-03	EM2-03	08-102-00





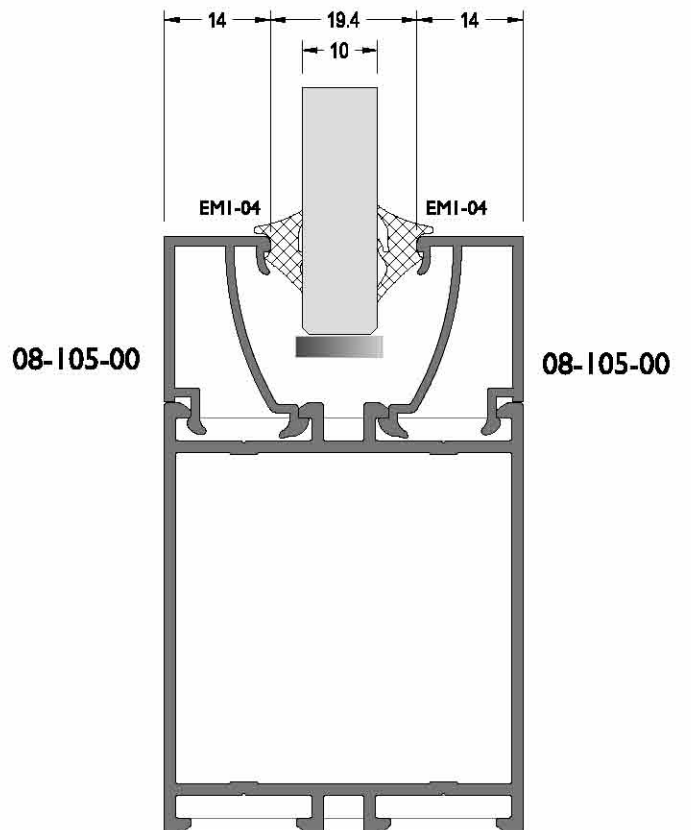
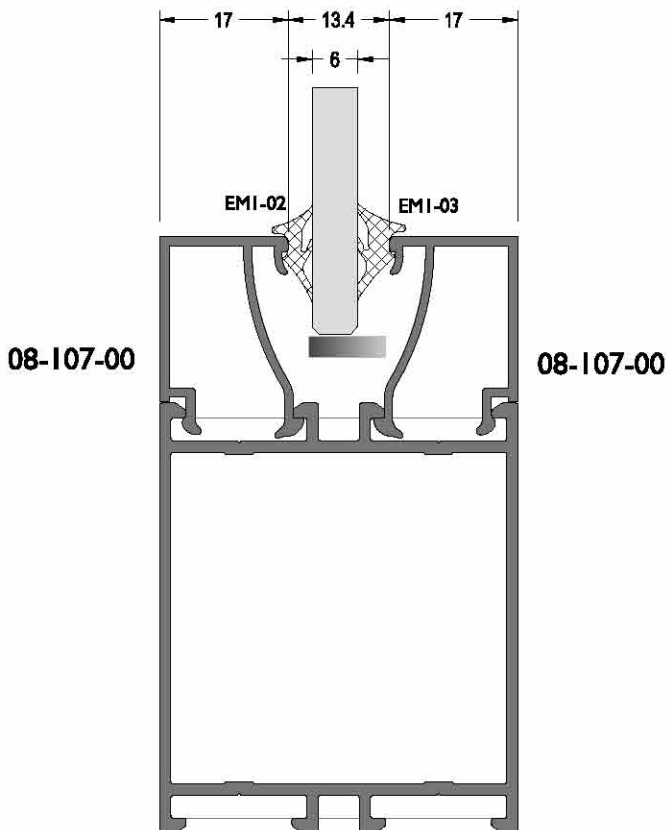
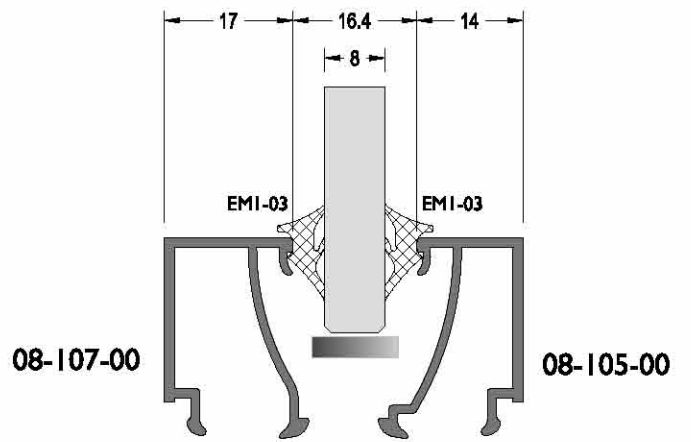
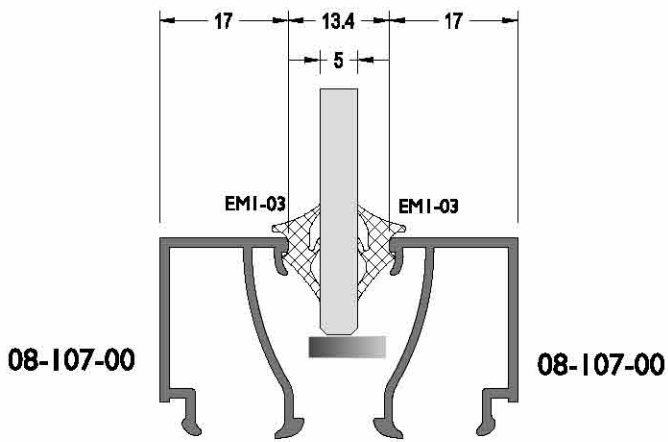
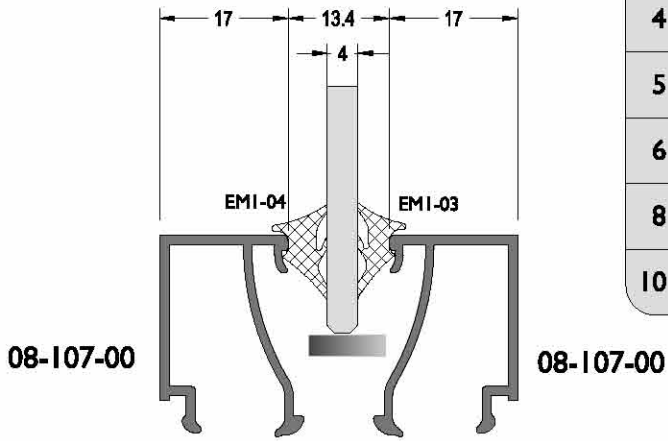
## Glazing tables / cam tabloları

GLAZING THICKNESS	GLAZING GASKET INSIDE	GLAZING GASKET OUTSIDE	GLAZING BEAD
30 mm	EM1-04	EM2-03	08-101-00
32 mm	EM1-04	EM2-03	08-101-00



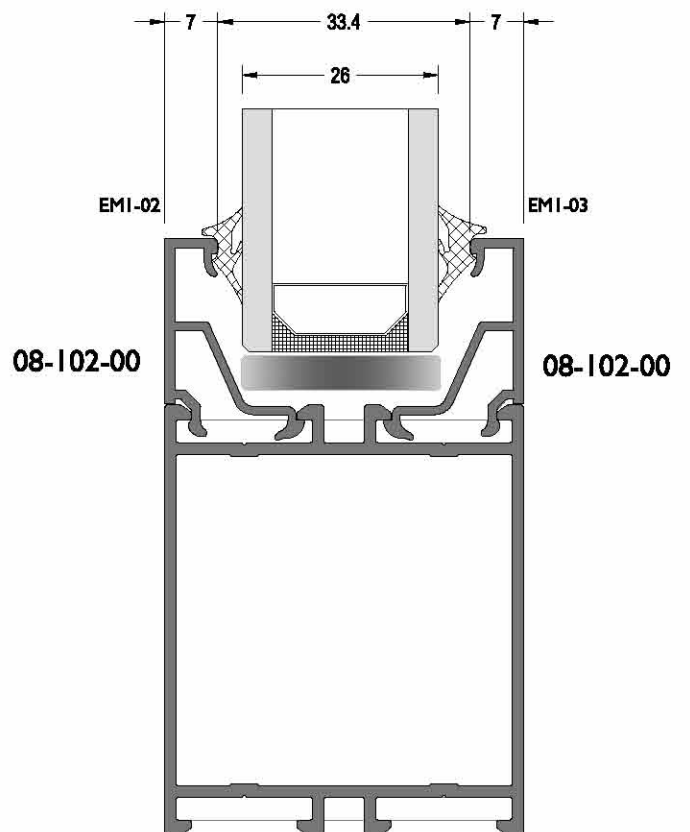
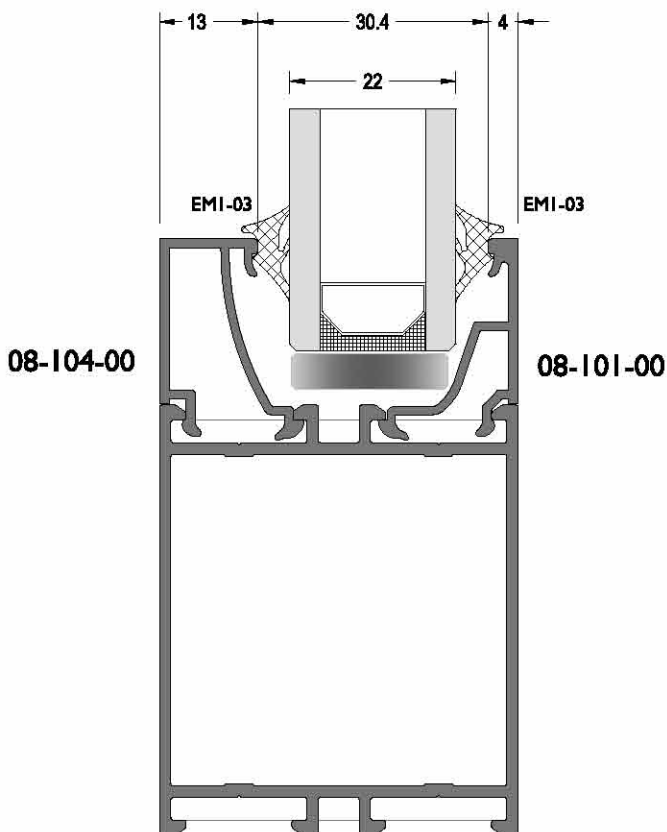
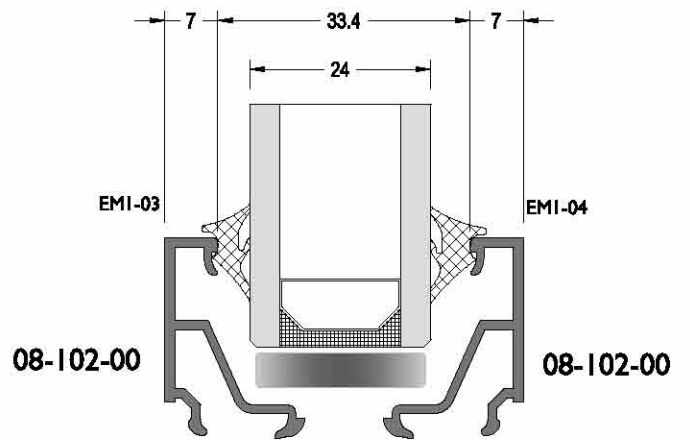
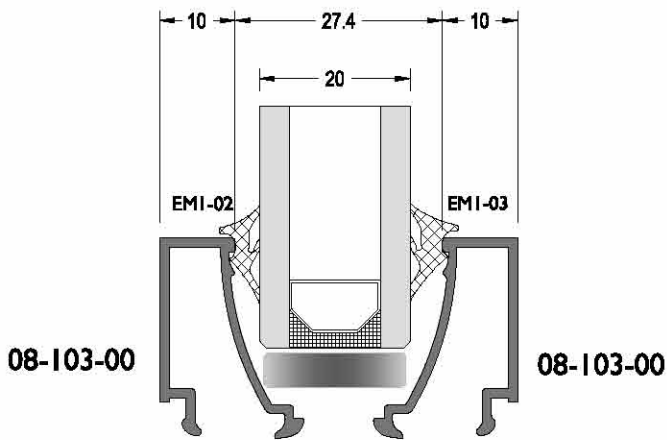
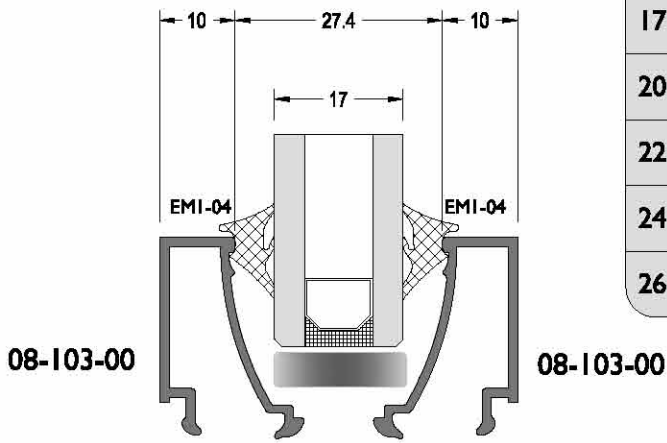
# Glazing tables / cam tabloları

GLAZING THICKNESS	GLAZING GASKET INSIDE	GLAZING GASKET OUTSIDE	GLAZING BEAD INSIDE	GLAZING BEAD OUTSIDE
4 mm	EMI-03	EMI-04	08-107-00	08-107-00
5 mm	EMI-03	EMI-03	08-107-00	08-107-00
6 mm	EMI-03	EMI-02	08-107-00	08-107-00
8 mm	EMI-03	EMI-03	08-105-00	08-107-00
10 mm	EMI-04	EMI-04	08-105-00	08-105-00



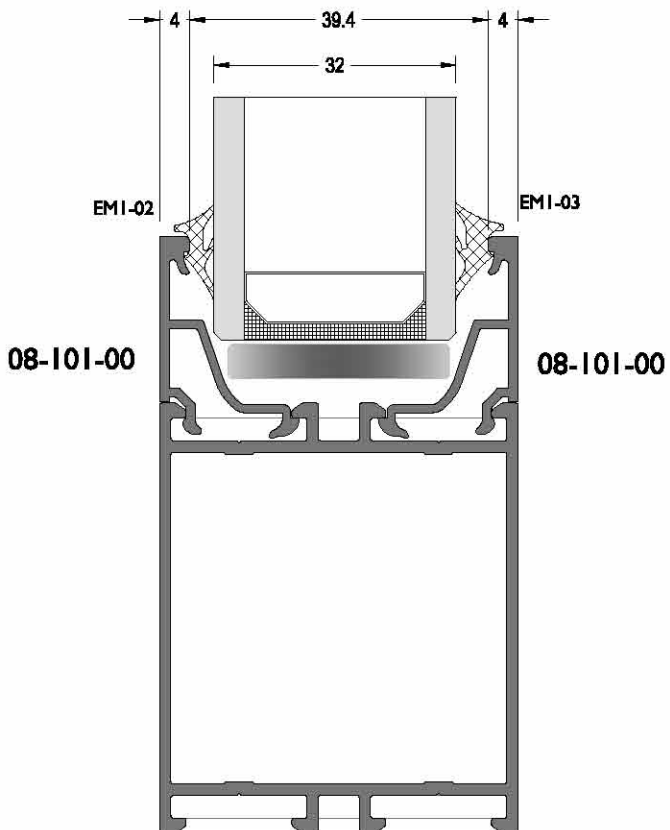
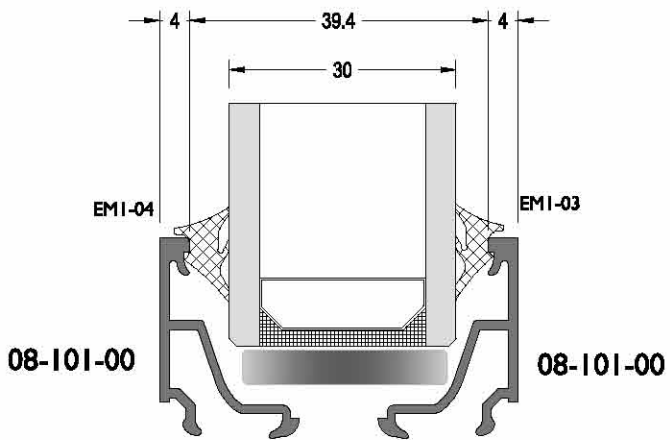
# Glazing tables / cam tabloları

GLAZING THICKNESS	GLAZING GASKET INSIDE	GLAZING GASKET OUTSIDE	GLAZING BEAD INSIDE	GLAZING BEAD OUTSIDE
17 mm	EMI-04	EMI-04	08-103-00	08-103-00
20 mm	EMI-03	EMI-02	08-103-00	08-103-00
22 mm	EMI-03	EMI-03	08-101-00	08-104-00
24 mm	EMI-04	EMI-03	08-102-00	08-102-00
26 mm	EMI-03	EMI-02	08-102-00	08-102-00




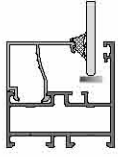

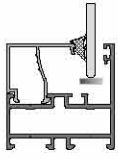
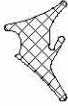
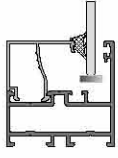

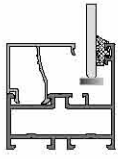

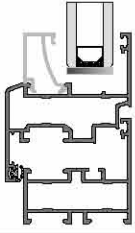
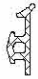
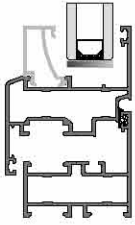
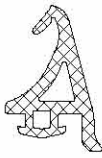
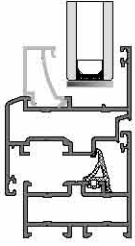
## Glazing tables / cam tabloları


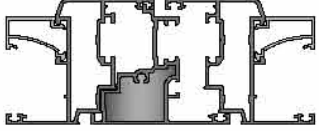

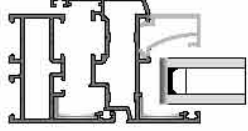

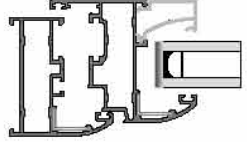

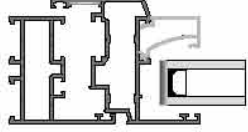

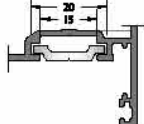

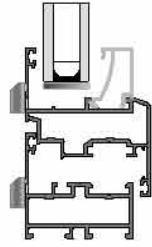
GLAZING THICKNESS	GLAZING GASKET INSIDE	GLAZING GASKET OUTSIDE	GLAZING BEAD INSIDE	GLAZING BEAD OUTSIDE
30 mm	EMI-03	EMI-04	08-101-00	08-101-00
32 mm	EMI-03	EMI-02	08-101-00	08-101-00


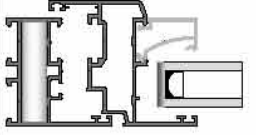

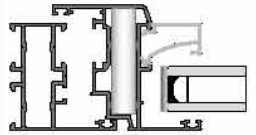

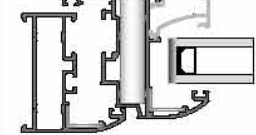

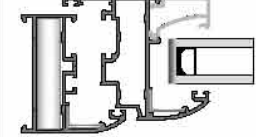

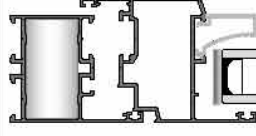

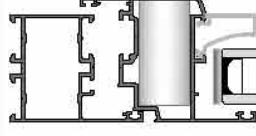

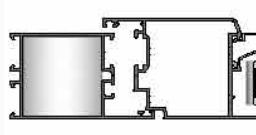

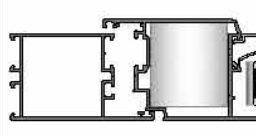




**Aksesuarlar**

**Accessories**

CODE	DRAWING	APLICATION	DESCRIPTION	THEORETICAL WEIGHT kg/m	IN ONE PACKAGE
EMI-02			Glazing Gasket Inside ( EPDM )	0.050	300 m
EMI-03			Glazing Gasket Inside ( EPDM )	0.060	250 m
EMI-04			Glazing Gasket Inside ( EPDM )	0.070	215 m
EM2-03			Glazing Gasket Outside ( EPDM )	0.065	230 m
EM3-01			Acoustical Gasket ( EPDM )	0.033	465 m
EM3-08			Acoustical Gasket ( EPDM )	0.018	550 m
EM54-01			Central Gasket ( EPDM )	0.111	135 m

ACCESSORY CODE	DRAWING	APPLICATION PROFILES	APPLICATION DETAIL
EM47C-501		47C-501-18	
EM58-21		47C-101-15	
		47C-102-15	
		47C-104-15	
		47C-201-15	
		47C-202-15	
		47C-204-15	
EM58-22		47C-111-14	
		47C-211-14	
MO 20.1		47C-201-15	
		47C-202-15	
		47C-204-15	
		47C-205-15	
EM15-200		Polyamid Rod Profile ( Euro Section I ) Polyamid Tij Profili ( Avrupa Kanal I )	
EM10-01 ( White / Beyaz )		Drainage Cap Tahliye Kapagi	
EM10-02 ( Black / Siyah )			
EM10-03 ( Brown / Kirengi )			
EM10-04 ( Grey / Gri )			
EM10-05 ( Light Brown / Agik Kirengi )			

PROFILE CODE	DRAWING	PACKAGE CODE	QUANTITY	CUTTING SIZE	APPLICATION PROFILES	APPLICATION DETAIL
09-101-00		CC-101-43.9	45 pieces	43.9 mm	47C-101-15	
					47C-301-15	
09-101-00		CC-101-46.6	30 pieces	46.6 mm	47C-201-15	
09-101-00		CC-101-46.8	30 pieces	46.8 mm	47C-211-14	
09-101-00		CC-101-50.1	30 pieces	50.1 mm	47C-111-14	
09-103-00		CC-103-43.9	18 pieces	43.9 mm	47C-102-15	
					47C-302-15	
09-103-00		CC-103-46.6	12 pieces	46.6 mm	47C-202-15	
09-105-00		CC-105-43.9	9 pieces	43.9 mm	47C-104-15	
					47C-124-15	
					47C-304-15	
09-105-00		CC-105-46.6	6 pieces	46.6 mm	47C-204-15	
					47C-205-15	
09-114-00		CC-114-43.9	3 pieces	43.9 mm	47C-305-15	



## T JUNCTION / ÇEKTİRME BAĞLANTI

T Junction for Mullions and Kick Plates / Orta Kayıt ve Etek Çektirme Bağlantı

APLICATION PROFILES	PROFILE CODE	PICTURE	PACKAGE CODE	QUANTITY	CUTTING SIZE
47C-301-15	09-905-00		CC-905-10.5	120 pieces	10.5 mm
47C-302-15	09-905-00		CC-905-22.5	50 pieces	22.5 mm
47C-304-15	09-905-00		CC-905-42.8	30 pieces	42.8 mm
47C-401-15	09-905-00		CC-905-68.1	20 pieces	68.1 mm