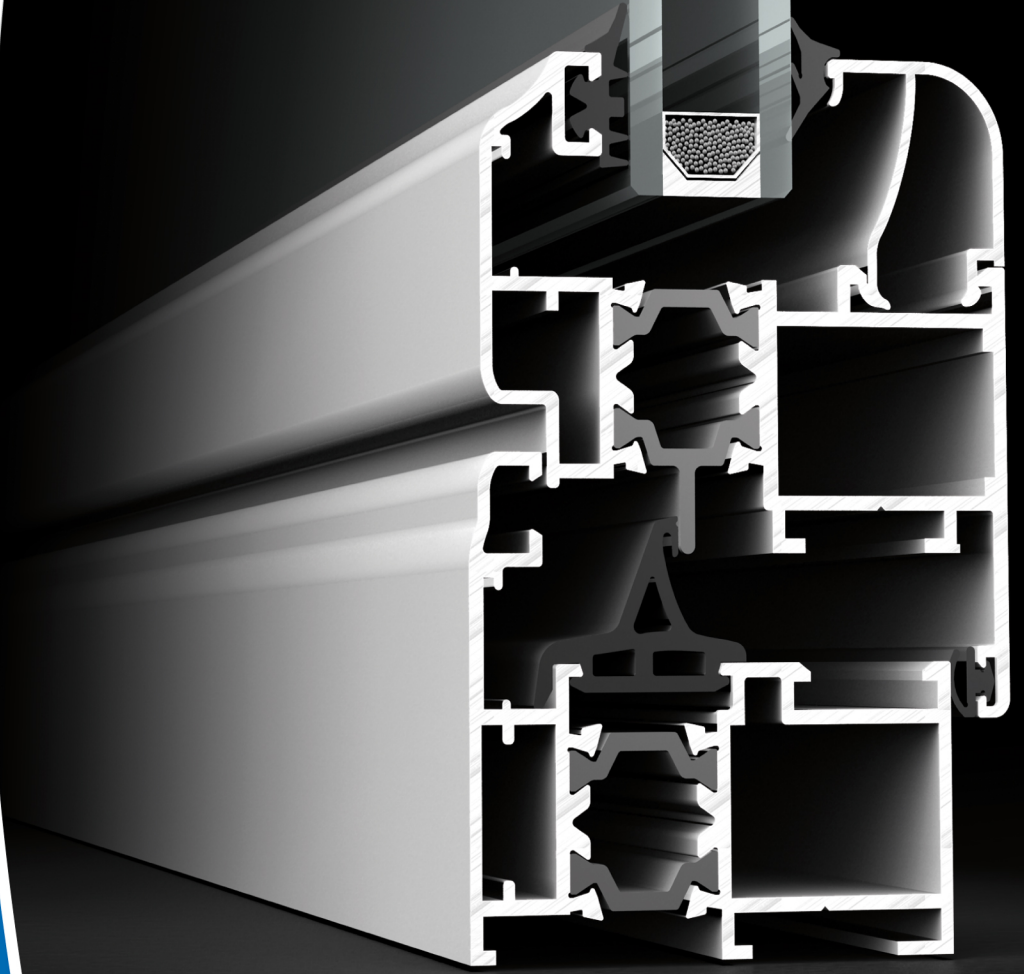


EDITION / VERSİYON
09/2011

WINDOW AND DOOR
PENCERE VE KAPI

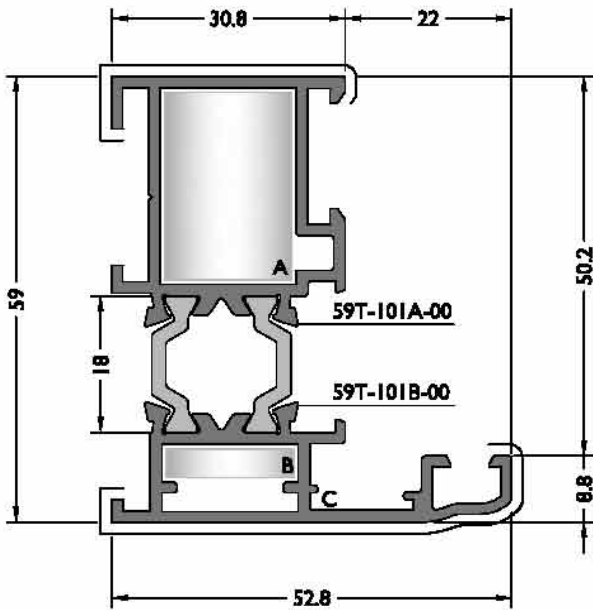
SYSTEM 59T
SİSTEM 59T



 **Lorenzoline**[®]
aluminium profile system

ALUMINIUM

b - PROFILES



CODE
59T-101-00

THEORETICAL WEIGHT kg/m
1.311

EXTRUDED CORNER JOINT

DIE - CAST CORNER JOINT

A **CC-122-25.5**



LC-1826



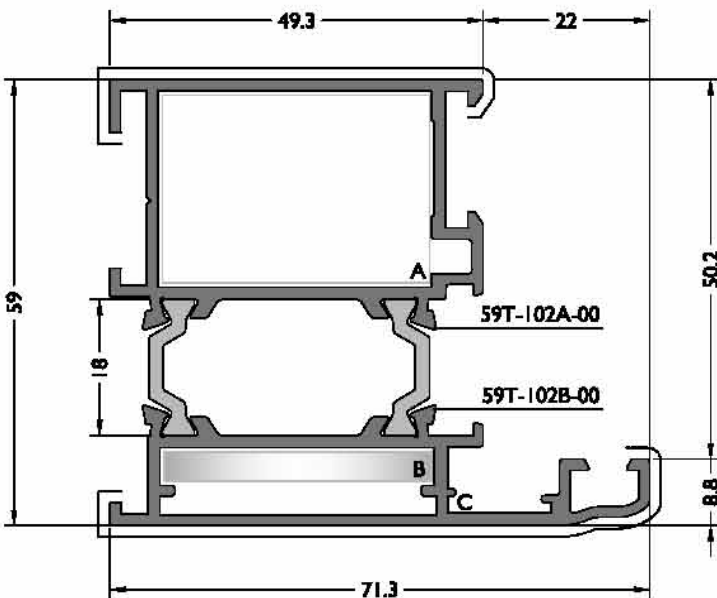
B **CC-122-04.5**



LC-1828



C **FUJI 2013**



CODE
59T-102-00

THEORETICAL WEIGHT kg/m
1.627

EXTRUDED CORNER JOINT

DIE - CAST CORNER JOINT

A **CC-125-25.5**



LC-3626

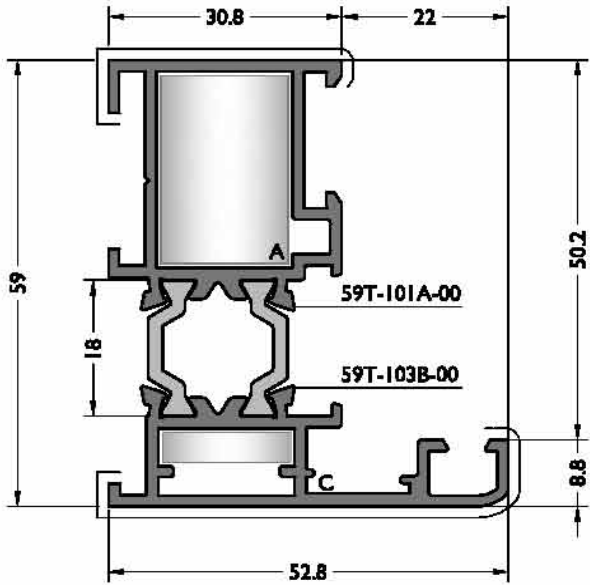


B **CC-125-04.5**








C **FUJI 2013**

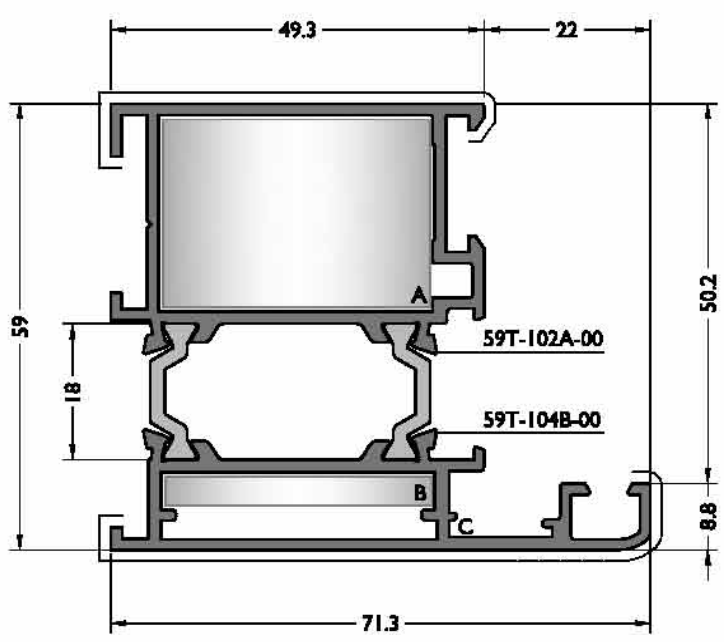




CODE
59T-103-00





THEORETICAL WEIGHT kg/m
1.315

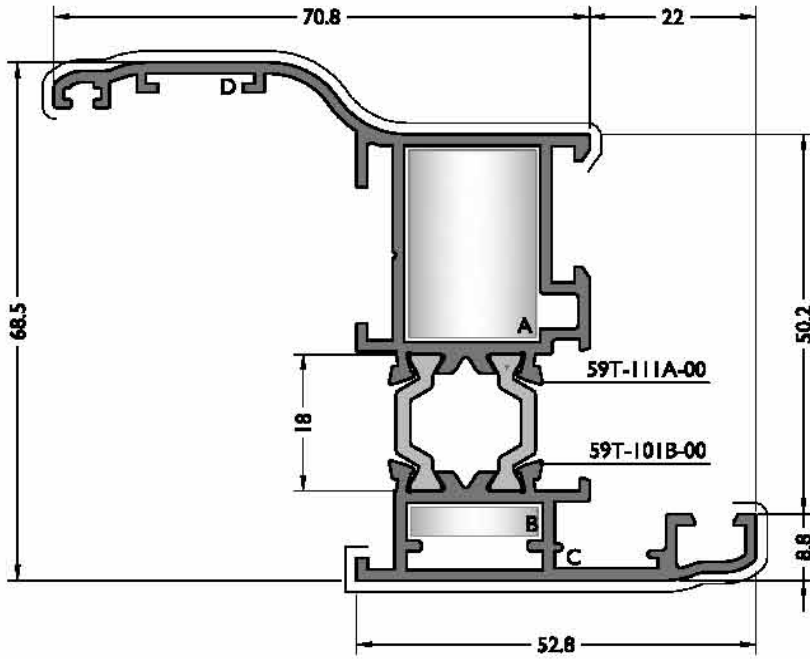
- | | EXTRUDED CORNER JOINT | DIE - CAST CORNER JOINT |
|---|---|---|
| A | CC-122-25.5  | LC-1826  |
| | | LC-1828  |
| B | CC-122-04.5  | |
| C | FUJI 2013  | |



CODE
59T-104-00



THEORETICAL WEIGHT kg/m
1.631

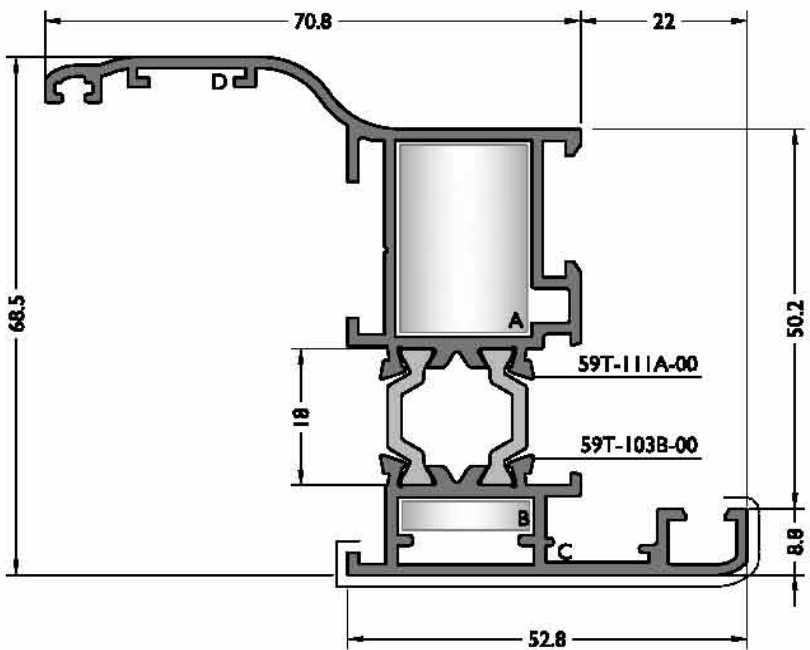
- | | EXTRUDED CORNER JOINT | DIE - CAST CORNER JOINT |
|---|---|---|
| A | CC-125-25.5  | LC-3626  |
| B | CC-125-04.5  | |
| C | FUJI 2013  | |



CODE
59T-111-00



THEORETICAL WEIGHT kg/m
1.550

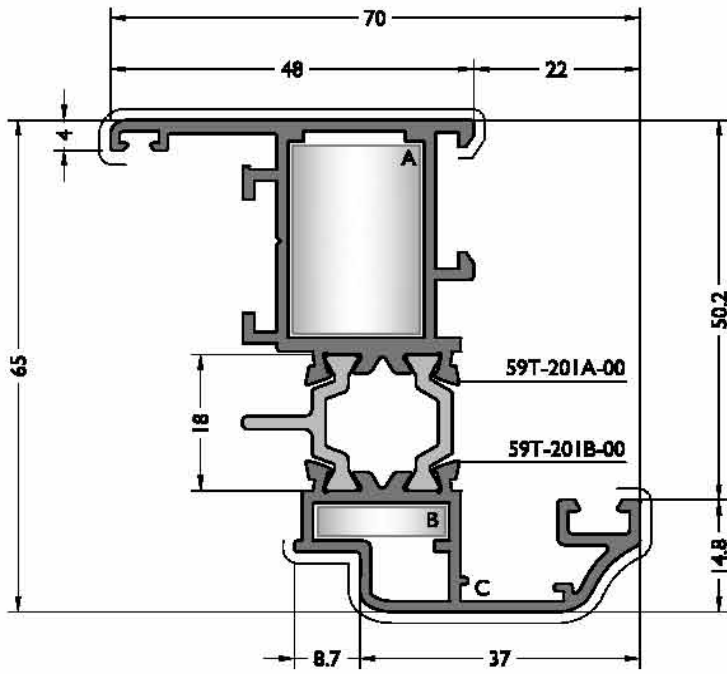
- | EXTRUDED CORNER JOINT | | DIE - CAST CORNER JOINT | |
|-----------------------|-------------|-------------------------|---|
| A | CC-122-25.5 | LC-1826 |  |
| B | CC-122-04.5 | LC-1828 |  |
| C | FUJI 2013 | | |
| D | MO 20.1 | | |



CODE
59T-113-00

THEORETICAL WEIGHT kg/m
1.554

- | EXTRUDED CORNER JOINT | | DIE - CAST CORNER JOINT | |
|-----------------------|-------------|-------------------------|---|
| A | CC-122-25.5 | LC-1826 |  |
| B | CC-122-04.5 | LC-1828 |  |
| C | FUJI 2013 | | |
| D | MO 20.1 | | |



CODE
59T-201-00

THEORETICAL WEIGHT kg/m
1.484

EXTRUDED CORNER JOINT

DIE - CAST CORNER JOINT

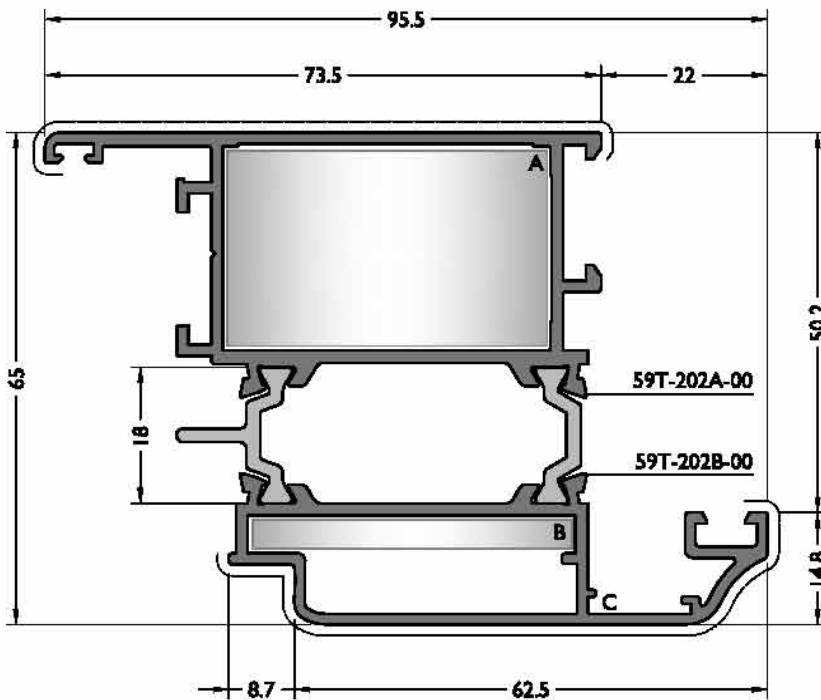
A **CC-122-25.5**

LC-1826

B **CC-122-04.5**

LC-1828

C **FUJI 2013**



CODE
59T-202-00

THEORETICAL WEIGHT kg/m
1.901

EXTRUDED CORNER JOINT

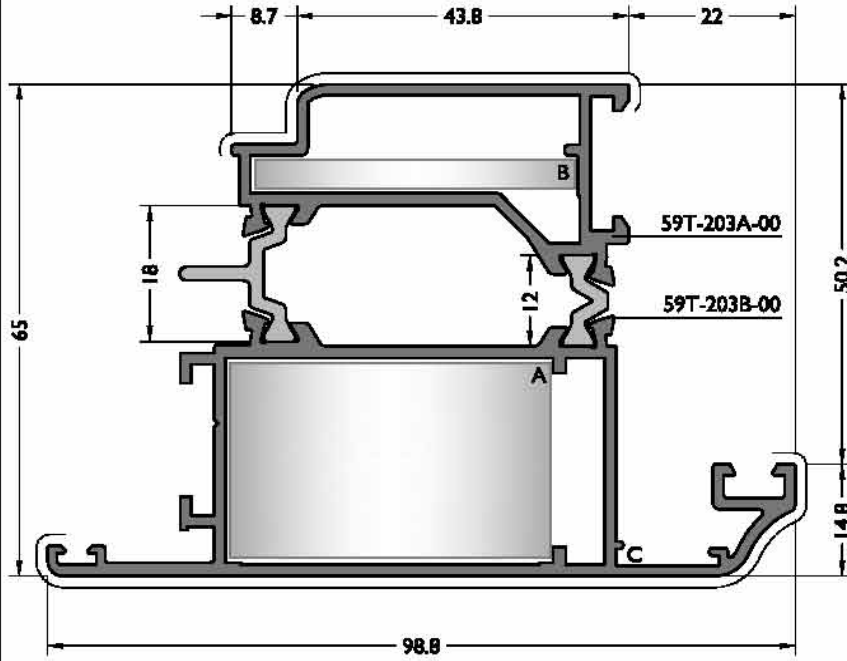
DIE - CAST CORNER JOINT

A **CC-105-26.5**

LC-4327




B **CC-105-04.5**

C **FUJI 2013**

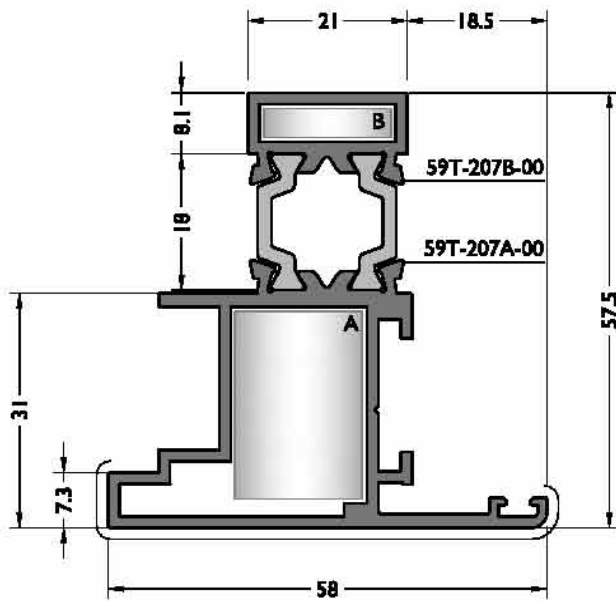


CODE
59T-203-00

THEORETICAL WEIGHT kg/m
1.982



- EXTRUDED CORNER JOINT
- A **CC-105-26.5** 
 - B **CC-105-04.5** 
 - C **FUJI 2013** 

- DIE - CAST CORNER JOINT
- LC-4327** 

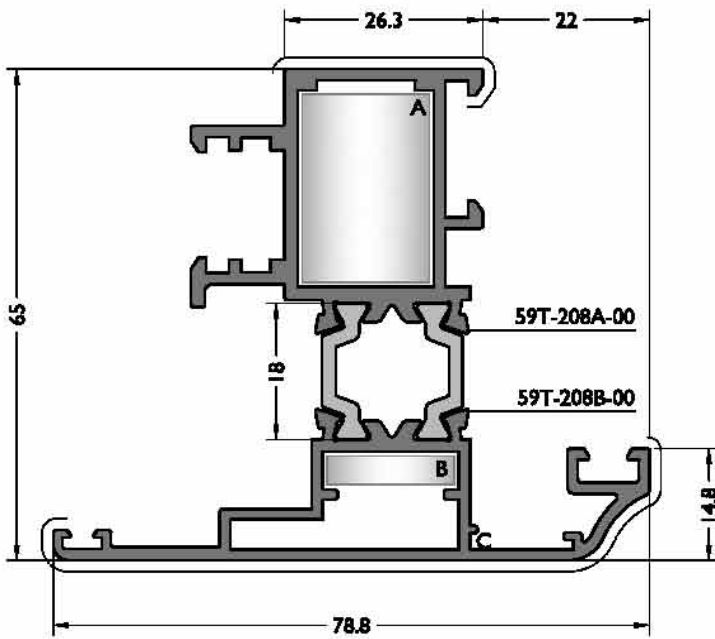


CODE
59T-207-00

THEORETICAL WEIGHT kg/m
1.294




- EXTRUDED CORNER JOINT
- A **CC-122-25.5** 
 - B **CC-122-04.5** 



- DIE - CAST CORNER JOINT
- LC-1826** 
 - LC-1828** 

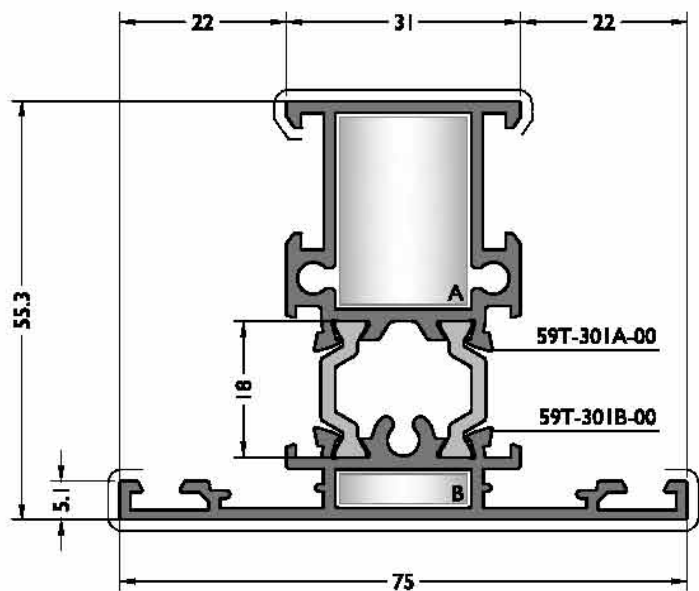


CODE
59T-208-00

THEORETICAL WEIGHT kg/m
1.690

- EXTRUDED CORNER JOINT
- A **CC-122-25.5** 
- B **CC-122-04.5** 
- C **FUJI 2013** 

- DIE - CAST CORNER JOINT
- LC-1826** 
- LC-1828** 



CODE

59T-301-00

THEORETICAL WEIGHT kg/m

1.488

EXTRUDED CORNER JOINT

A **CC-122-25.5**



DIE - CAST CORNER JOINT

LC-1827



LC-1826



LC-1828



B **CC-122-04.5**



C **FUJI 2013**

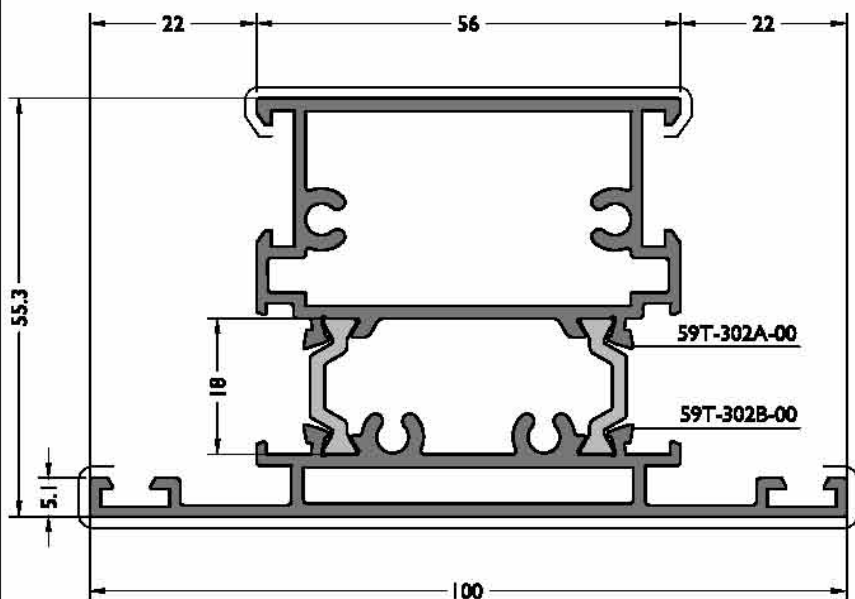


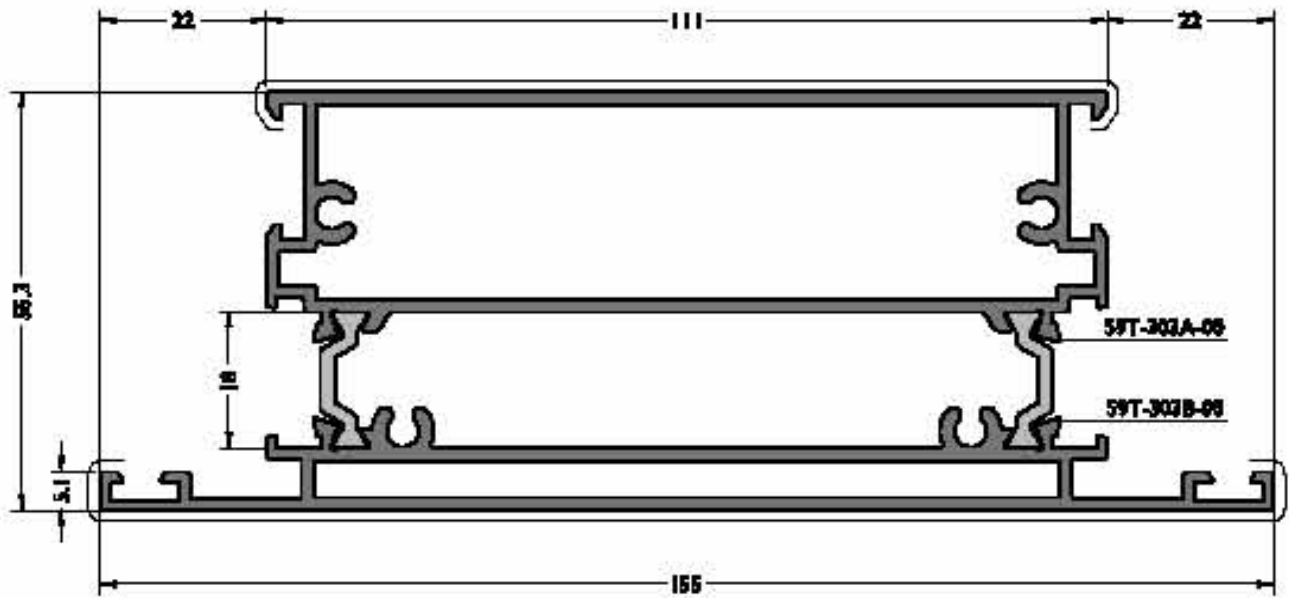
CODE

59T-302-00

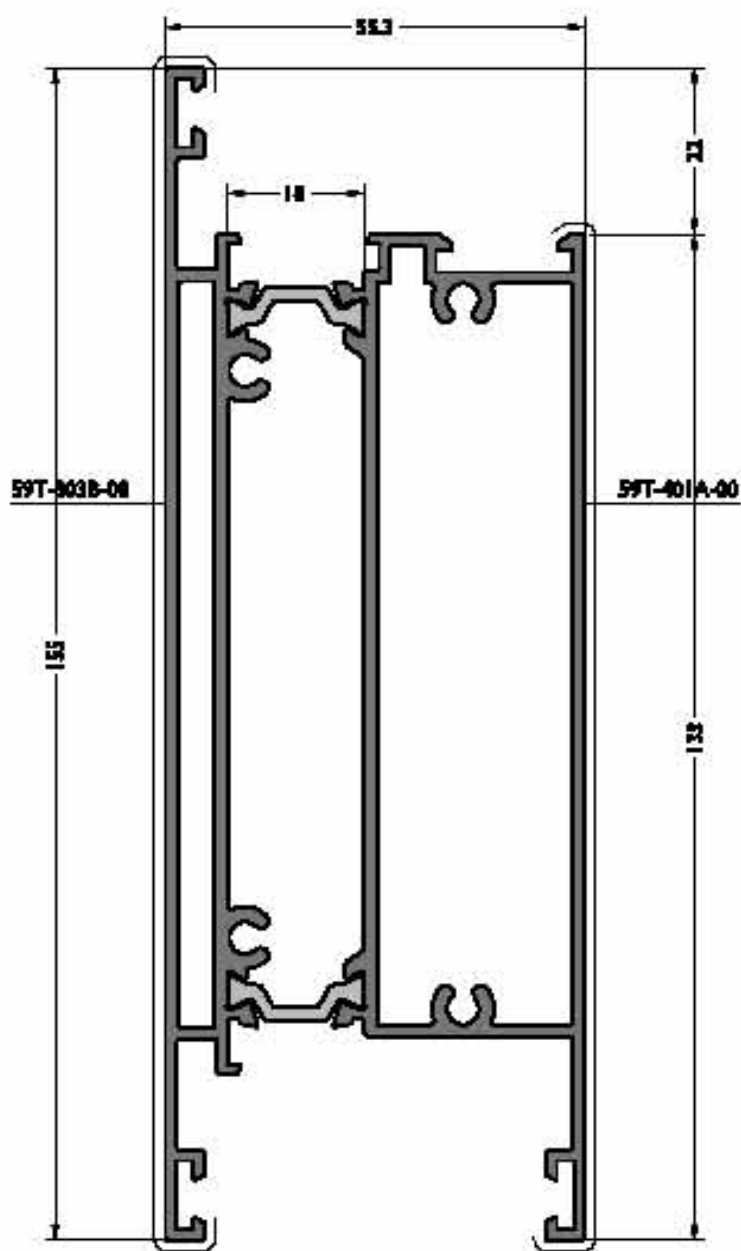
THEORETICAL WEIGHT kg/m

2.106



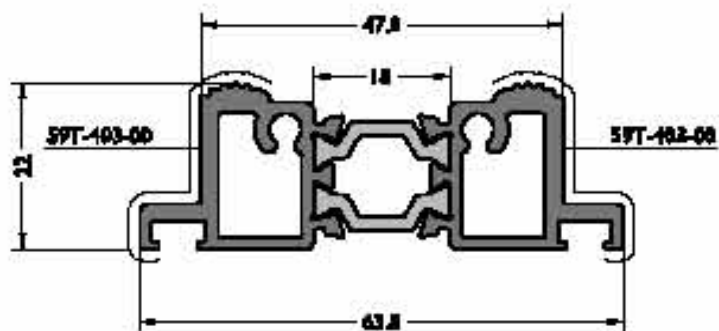


CODE	THEORETICAL WEIGHT kg/m
59T-303-00	3.120



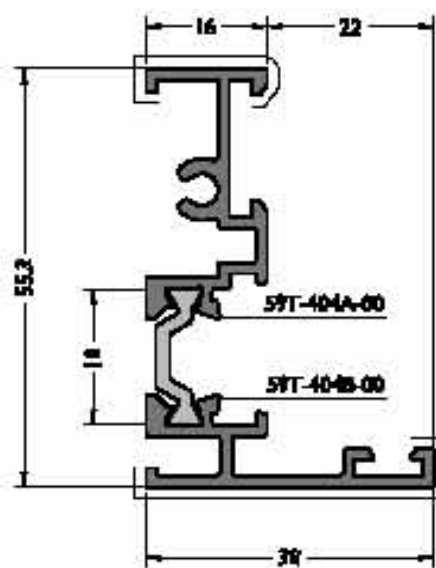
CODE
59T-401-00

THEORETICAL
WEIGHT kg/m
3.183



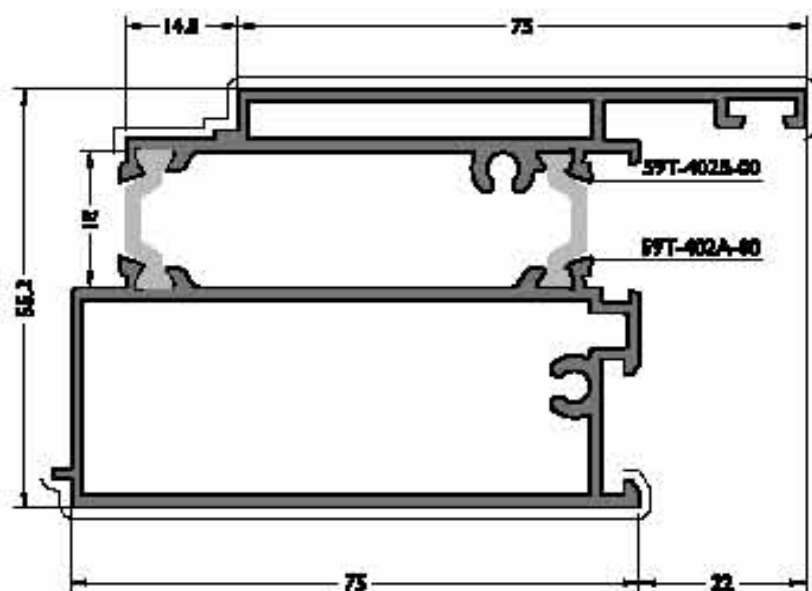
CODE
59T-403-00

THEORETICAL
WEIGHT kg/m
1.112



CODE
59T-404-00

THEORETICAL
WEIGHT kg/m
0.796

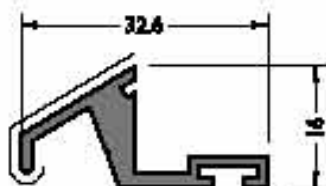


CODE

59T-402-00

THEORETICAL WEIGHT kg/m

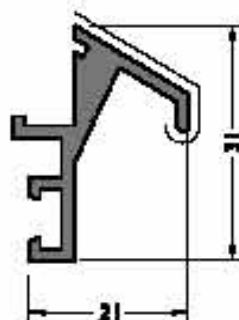
1.984



59T-405-00

THEORETICAL WEIGHT kg/m

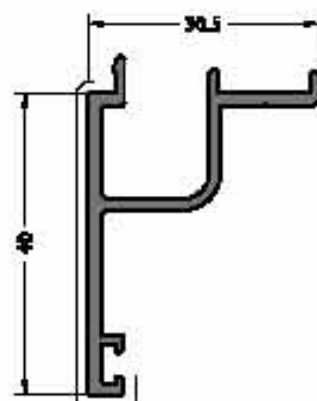
0.331



59T-406-00

THEORETICAL WEIGHT kg/m

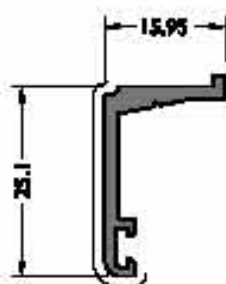
0.382



59T-407-00

THEORETICAL WEIGHT kg/m

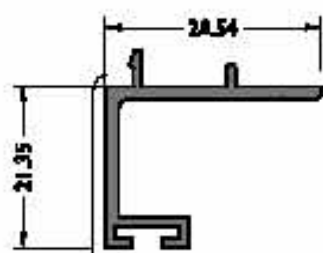
0.446



59T-408-00

THEORETICAL WEIGHT kg/m

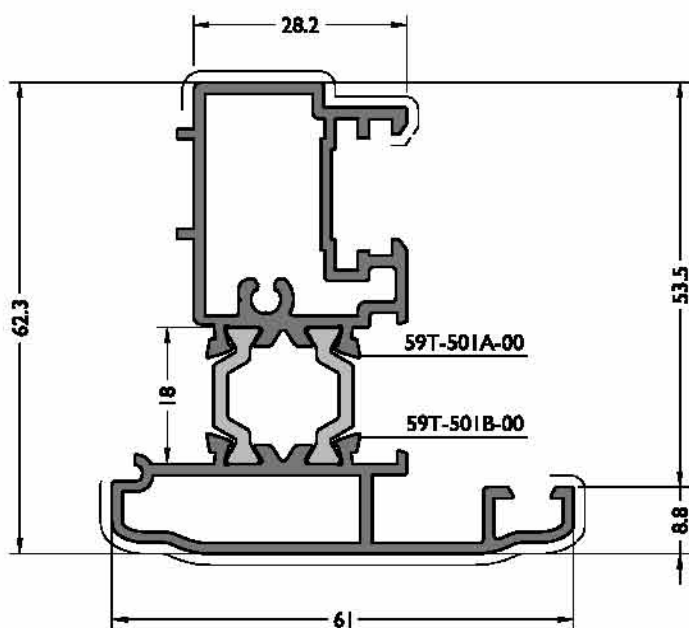
0.225



59T-409-00

THEORETICAL WEIGHT kg/m

0.312

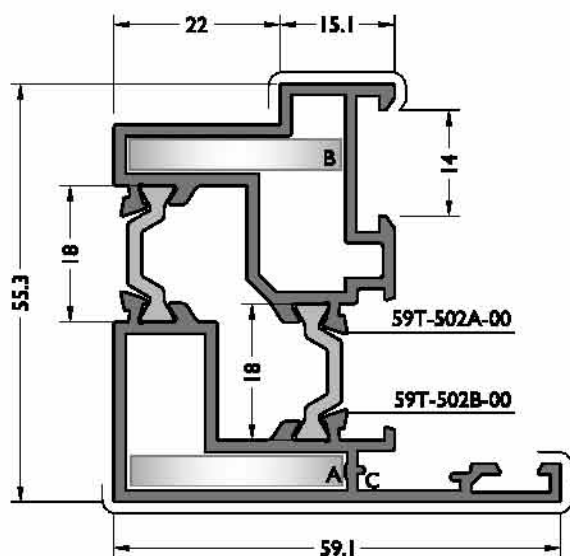


CODE
59T-501-00

THEORETICAL WEIGHT kg/m
1.423

ADAPTOR CAP

EM59T - 501



CODE
59T-502-00

THEORETICAL WEIGHT kg/m
1.458

EXTRUDED CORNER JOINT

A CC-123-04.5

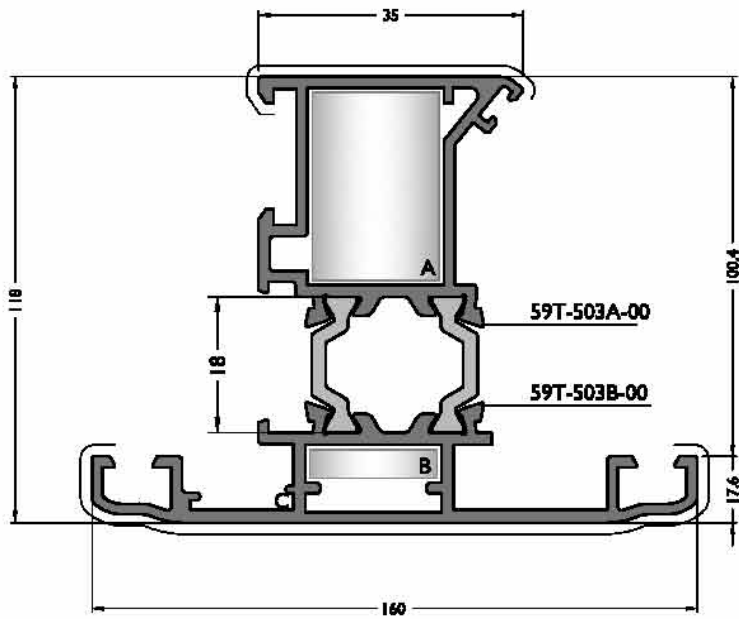


B CC-123-04.5





C FUJI 2013

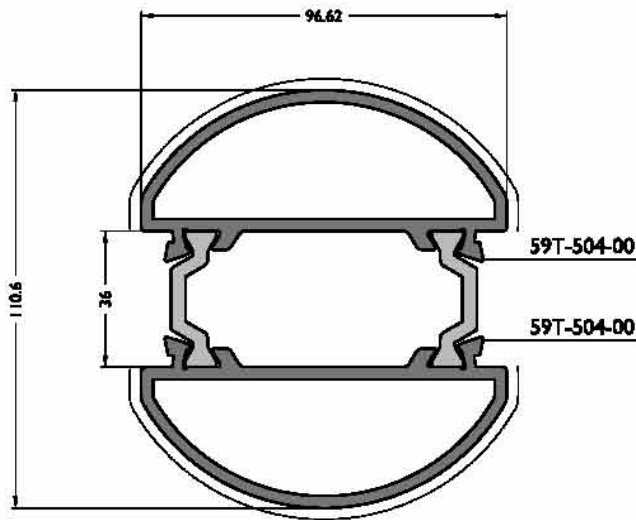




CODE
59T-503-00

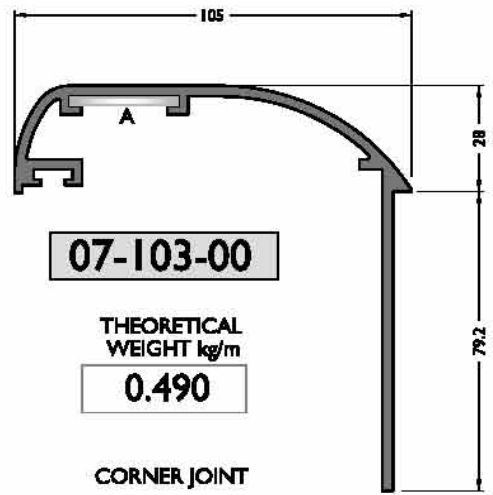
THEORETICAL WEIGHT kg/m
1.518

- | EXTRUDED CORNER JOINT | | DIE - CAST CORNER JOINT | |
|-----------------------|-------------|-------------------------|---|
| A | CC-122-25.5 | LC-1826 |  |
| B | CC-122-04.5 | LC-1828 |  |
| C | FUJI 2013 | | |



CODE
59T-504-00

THEORETICAL WEIGHT kg/m
1.223

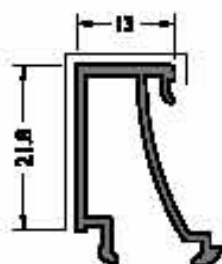
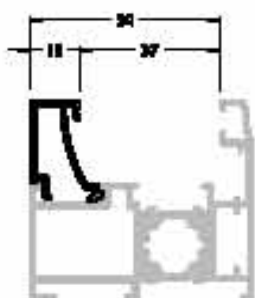


07-103-00

THEORETICAL WEIGHT kg/m
0.490

CORNER JOINT
 A **MO 20.1**

profiles

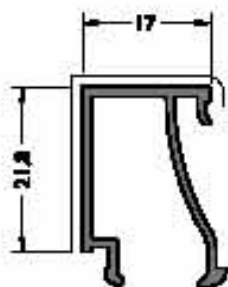
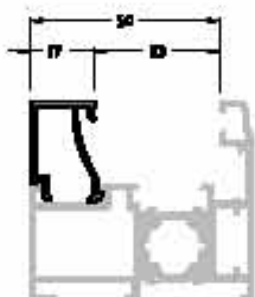


CODE

08-104-00

THEORETICAL
WEIGHT kg/m

0.256

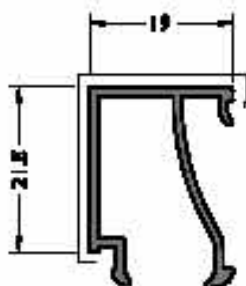
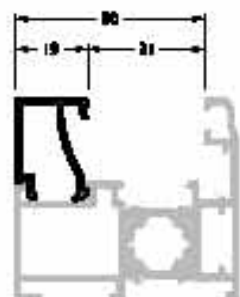


CODE

08-107-00

THEORETICAL
WEIGHT kg/m

0.262

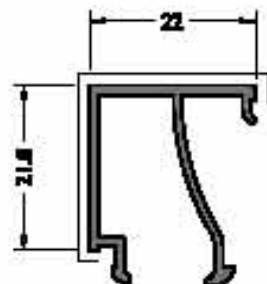
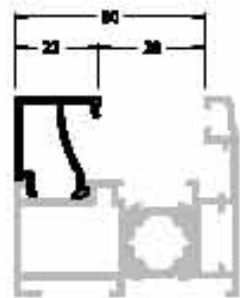


CODE

08-108-00

THEORETICAL
WEIGHT kg/m

0.269

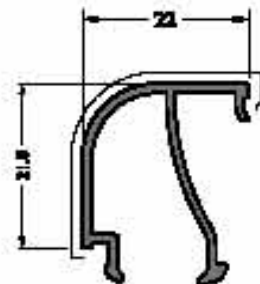
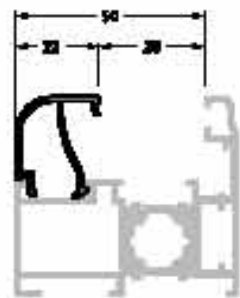


CODE

08-109-00

THEORETICAL
WEIGHT kg/m

0.280



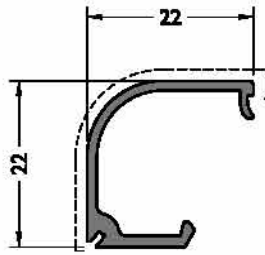
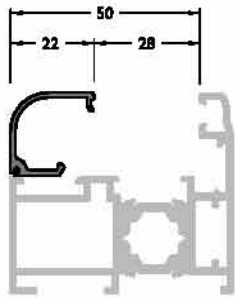
CODE

08-110-00

THEORETICAL
WEIGHT kg/m

0.266

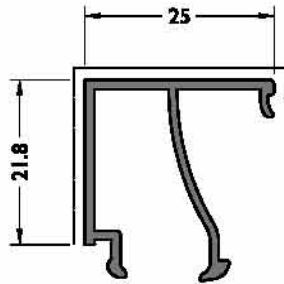
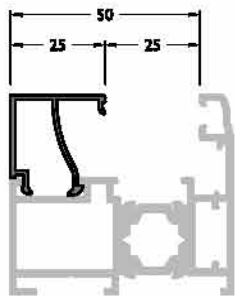
profiles



CODE
08-111-00

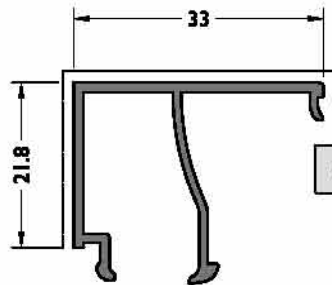
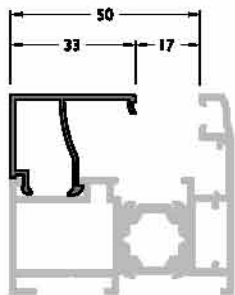
THEORETICAL
WEIGHT kg/m
0.217

THEORETICAL
WEIGHT kg/m
0.217



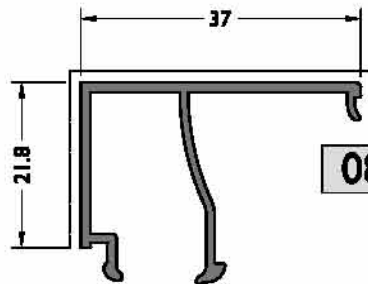
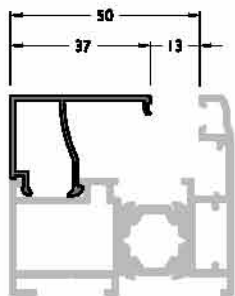
CODE
08-112-00

THEORETICAL
WEIGHT kg/m
0.290



CODE
08-115-00

THEORETICAL
WEIGHT kg/m
0.317



CODE
08-116-00

THEORETICAL
WEIGHT kg/m
0.331



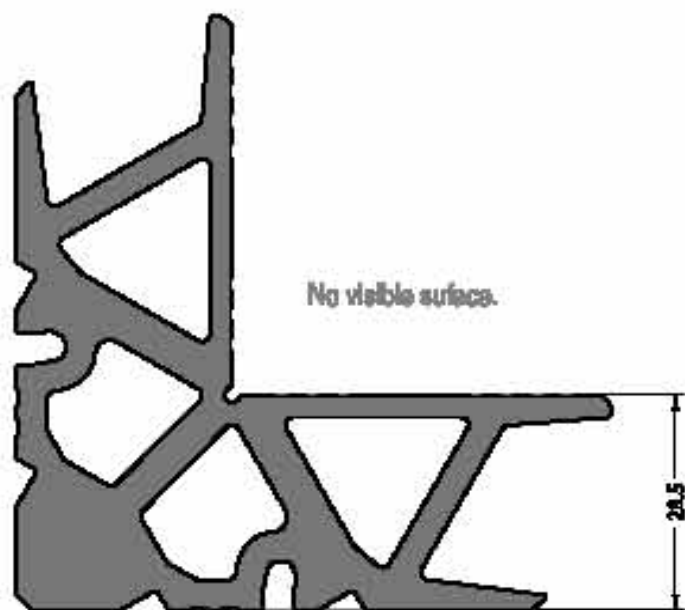
CODE
09-121-00

THEORETICAL
WEIGHT kg/m
2.404



CODE
09-122-00

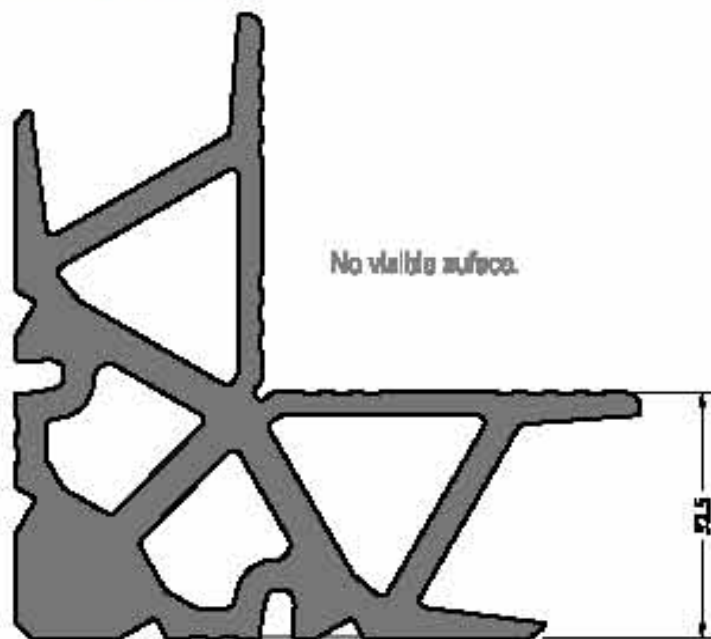
THEORETICAL
WEIGHT kg/m
3.306



CODE
09-123-00

THEORETICAL
WEIGHT kg/m
4.385

profiles

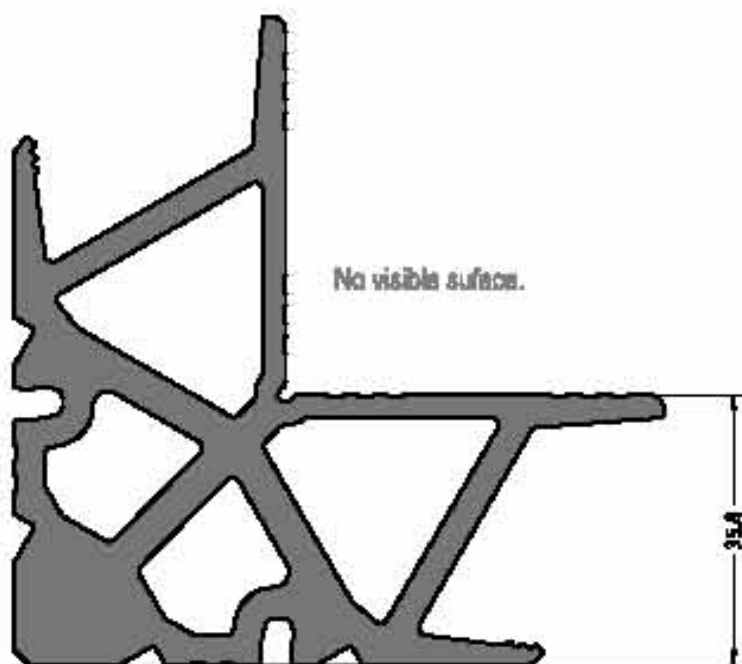


CODE

09-124-00

THEORETICAL
WEIGHT kg/m

4.588

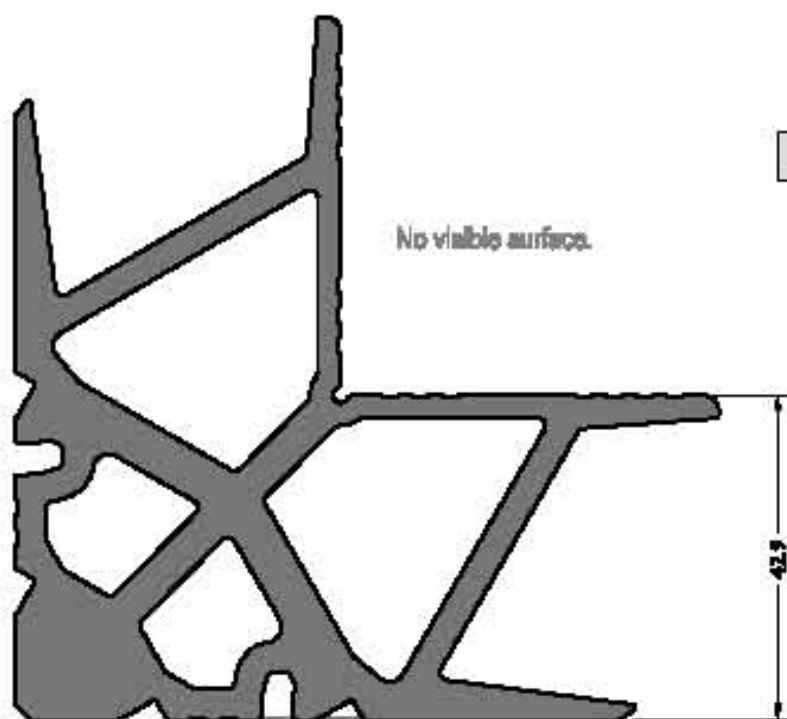


CODE

09-125-00

THEORETICAL
WEIGHT kg/m

4.756



No visible surface.

CODE

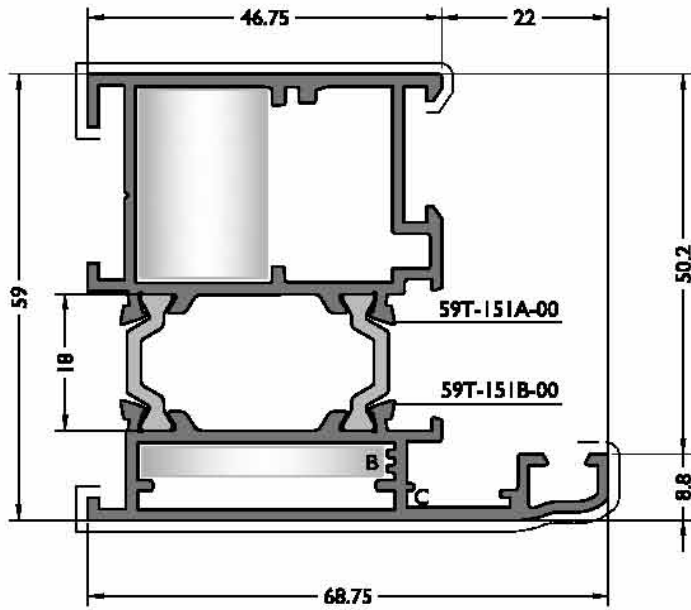
09-105-00

THEORETICAL
WEIGHT kg/m

5.473

PERIMETRIC

b - PROFILES



CODE
59T-151-00

THEORETICAL WEIGHT kg/m
1.625

EXTRUDED CORNER JOINT

DIE - CAST CORNER JOINT

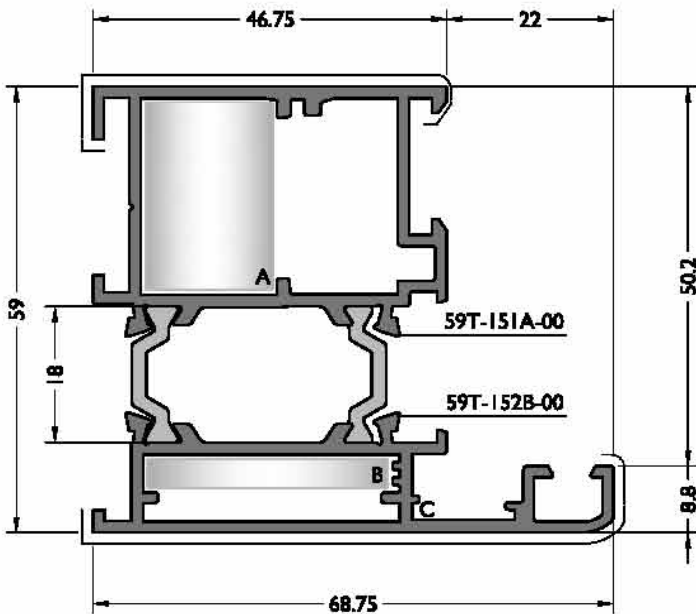
A **CC-154-25.5**

LC-1826

B **CC-124-04.5**

LC-1828

C **FUJI 2013**



CODE
59T-152-00

THEORETICAL WEIGHT kg/m
1.629

EXTRUDED CORNER JOINT

DIE - CAST CORNER JOINT

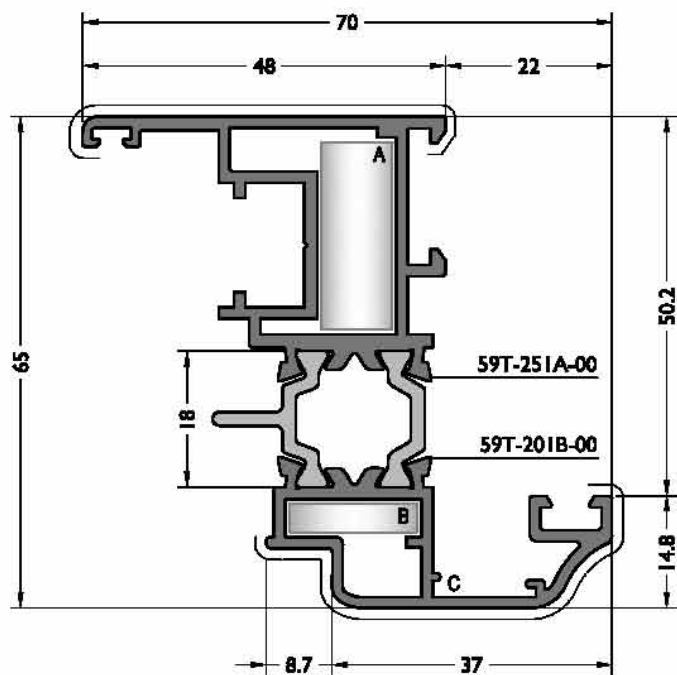
A **CC-154-25.5**

LC-1826

B **CC-124-04.5**




LC-1828

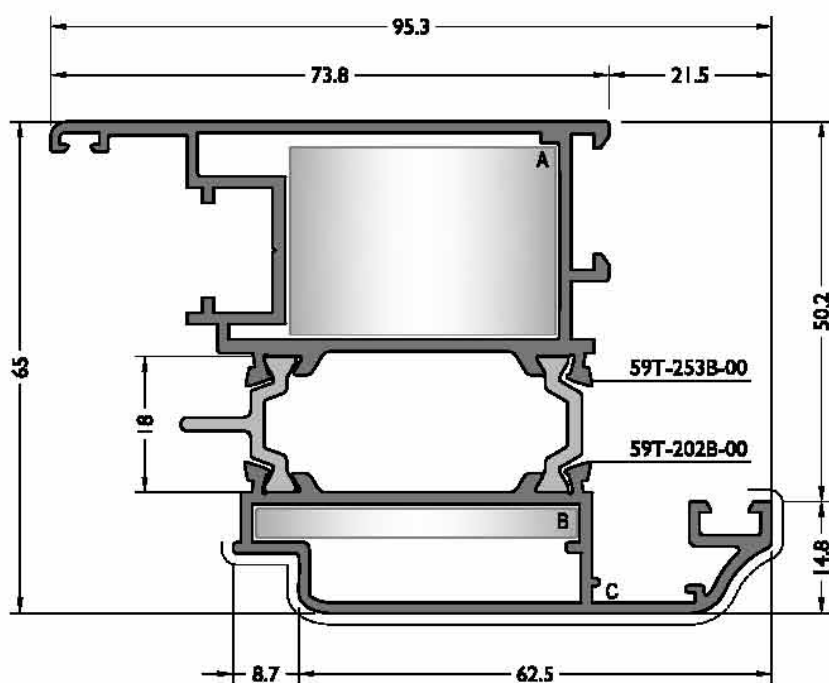
C **FUJI 2013**



CODE
59T-251-00





THEORETICAL WEIGHT kg/m
1.533

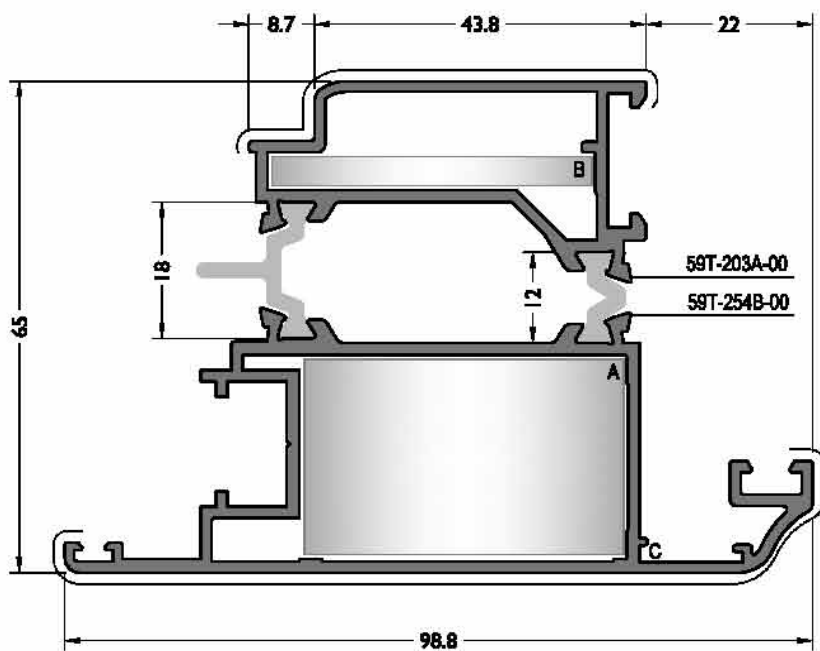
- EXTRUDED CORNER JOINT
- A **CC-121-25.5** 
 - B **CC-122-04.5** 
 - C **FUJI 2013** 



CODE
59T-253-00

THEORETICAL WEIGHT kg/m
1.961

- EXTRUDED CORNER JOINT
- A **CC-125-25.5** 
 - B **CC-105-04.5** 
 - C **FUJI 2013** 
- DIE - CAST CORNER JOINT
- LC-3626** 



CODE
59T-254-00

THEORETICAL WEIGHT kg/m
2.031

EXTRUDED CORNER JOINT

DIE - CAST CORNER JOINT

A **CC-105-26.5**



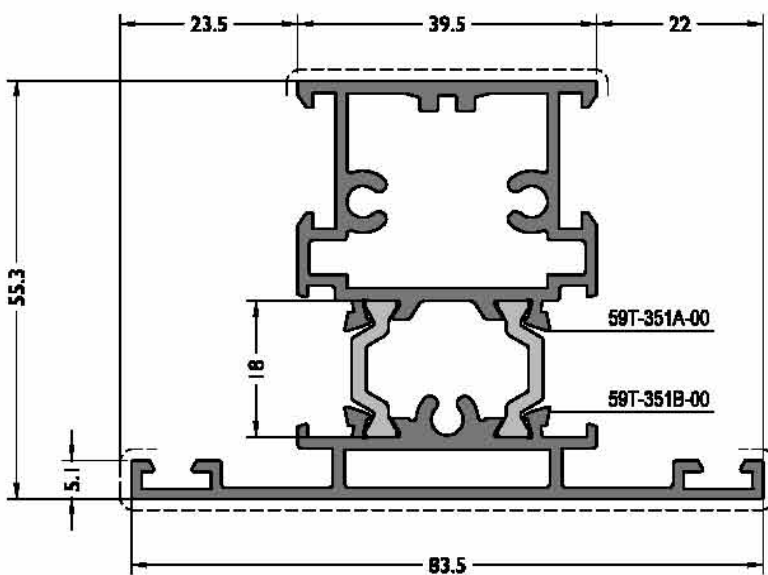
LC-4327



B **CC-105-04.5**

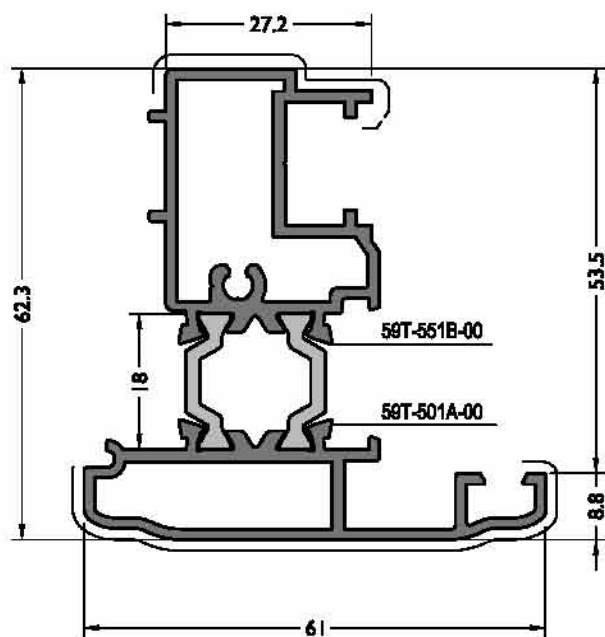


C **FUJI 2013**



CODE
59T-351-00

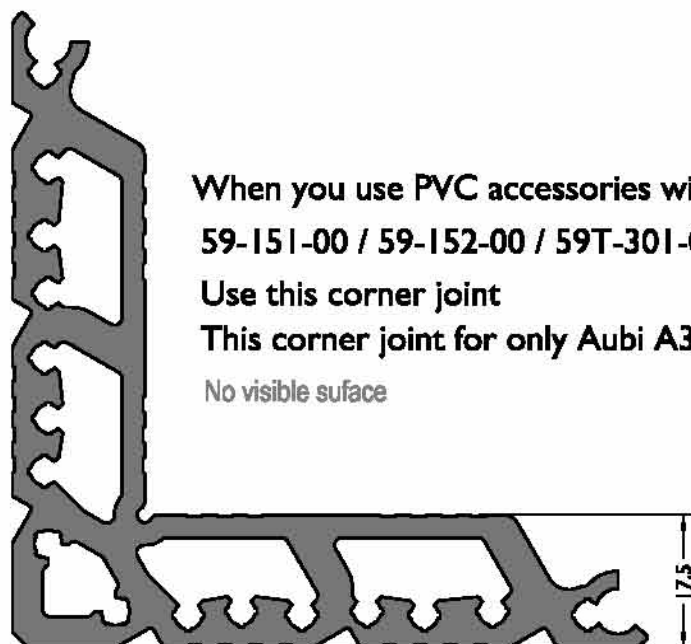
THEORETICAL WEIGHT kg/m
1.780



CODE
59T-551-00

THEORETICAL
WEIGHT kg/m
1.423

ADAPTOR CAP
EM59T - 551



CODE
09-154-00

THEORETICAL
WEIGHT kg/m
3.498

When you use PVC accessories with these Frames

59-151-00 / 59-152-00 / 59T-301-00

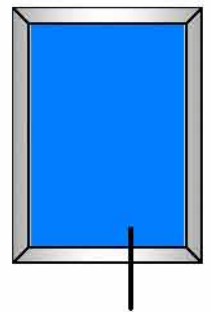
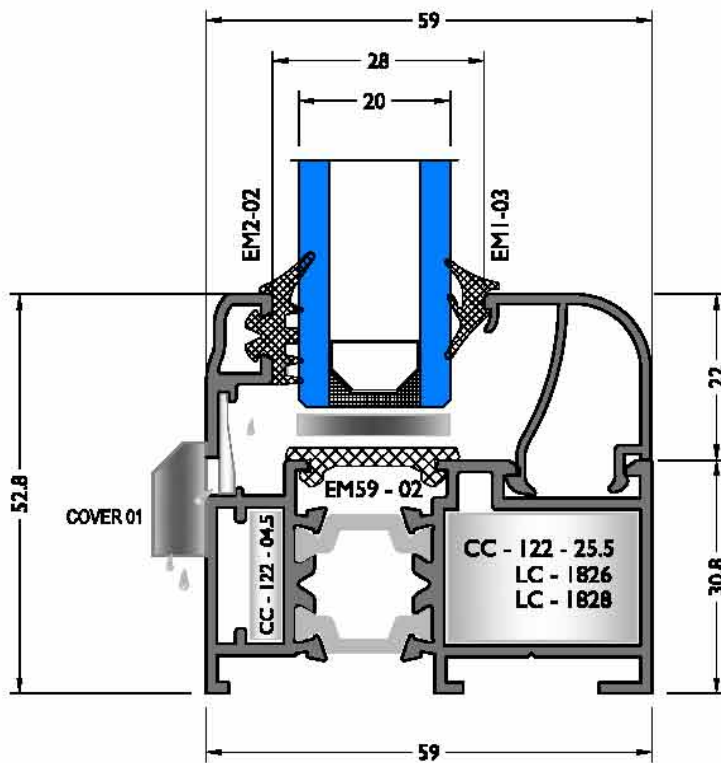
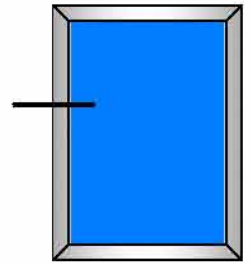
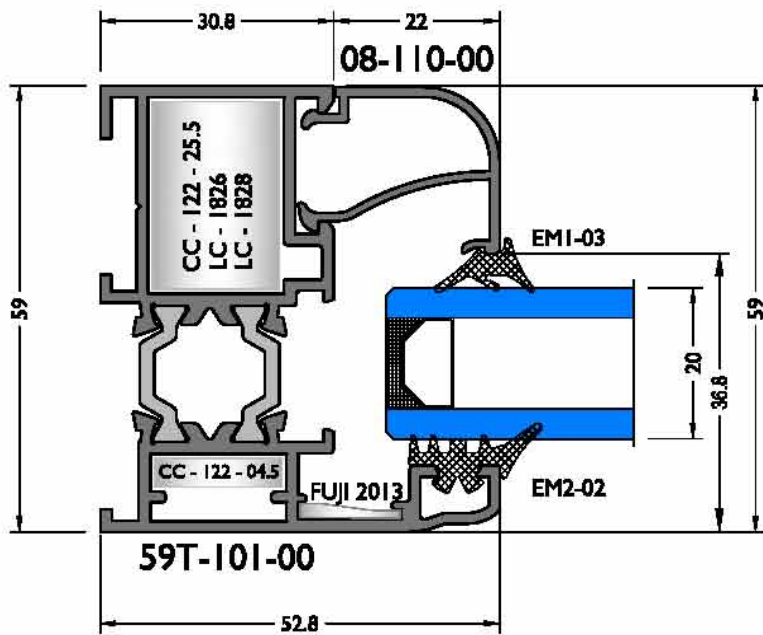
Use this corner joint

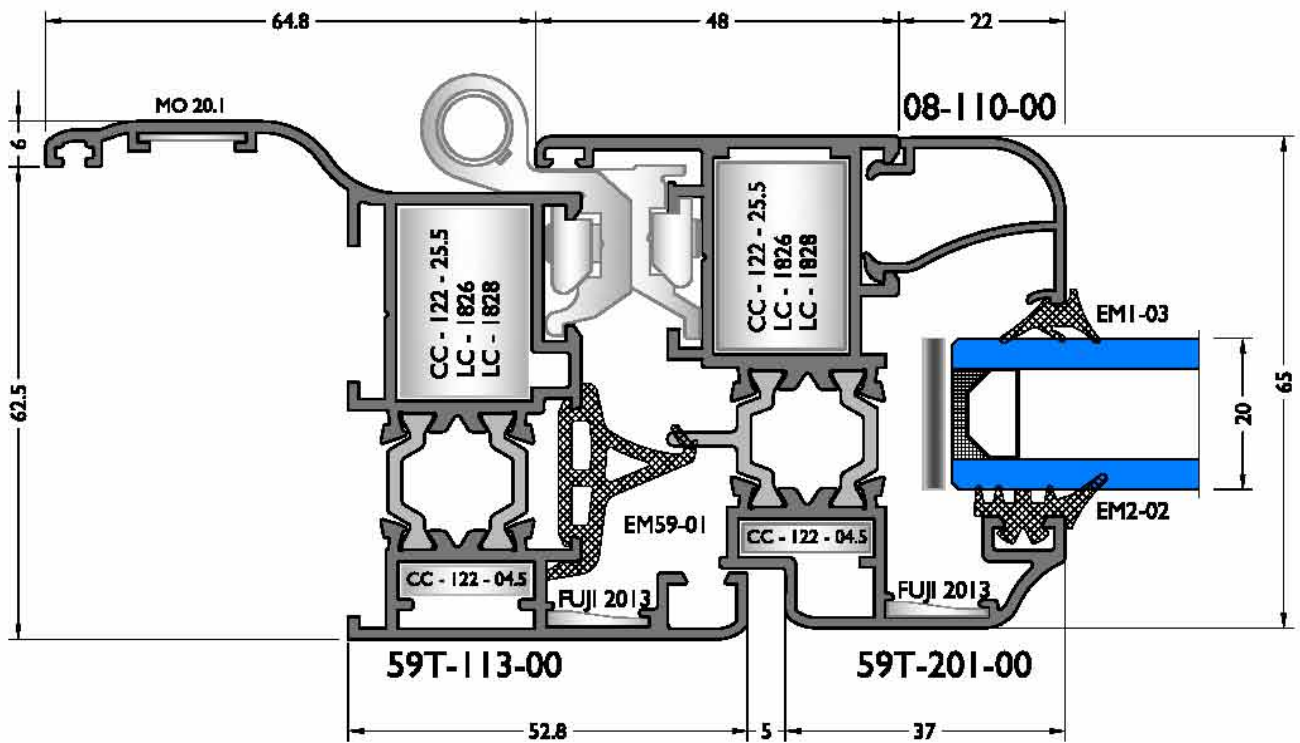
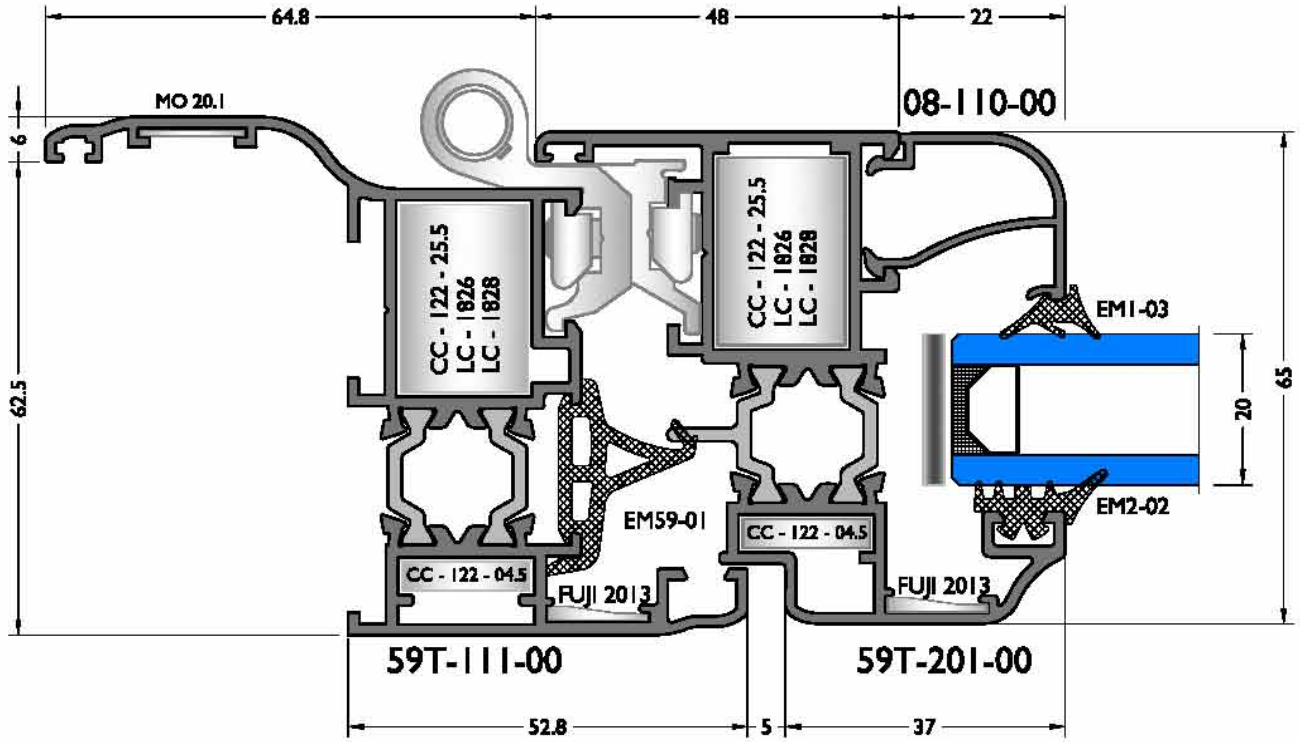
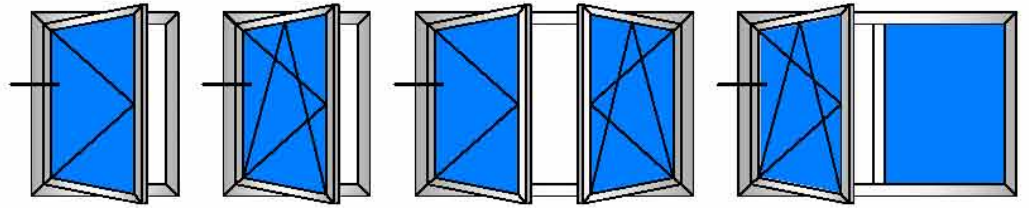
This corner joint for only Aubi A300 & GU Uni jet D

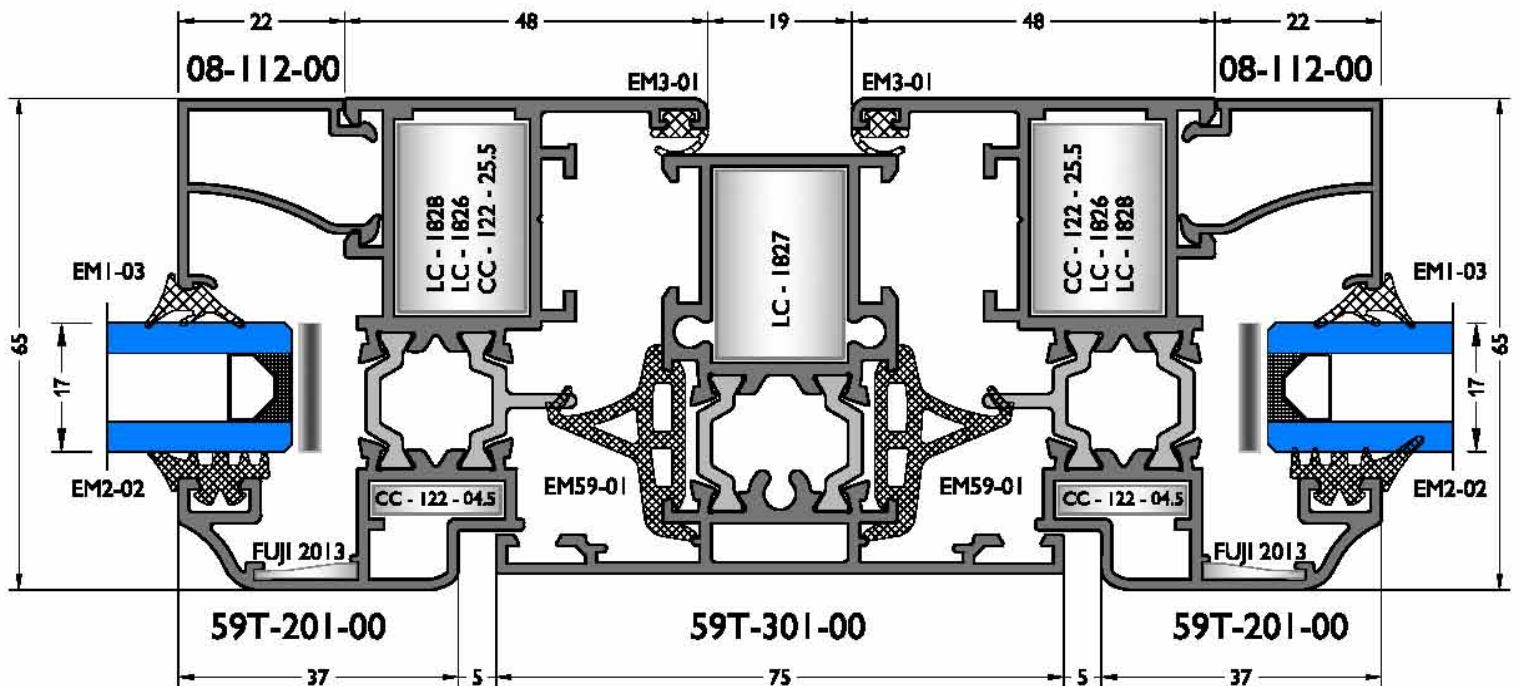
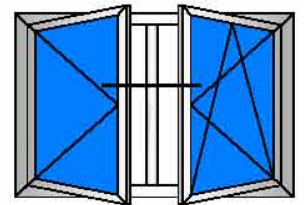
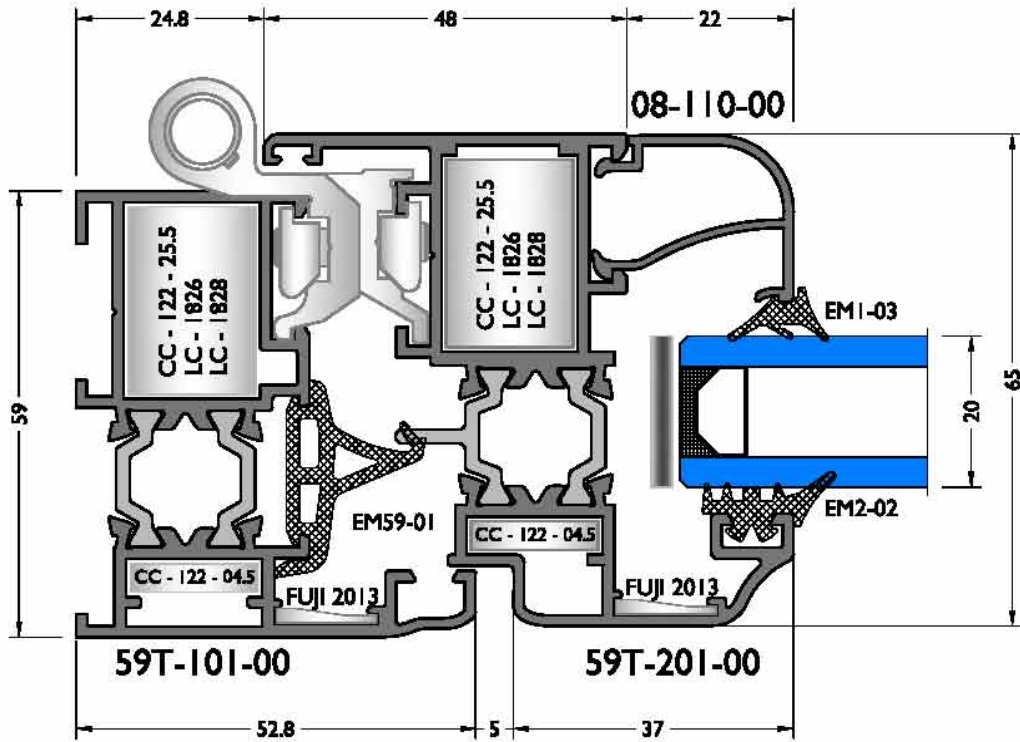
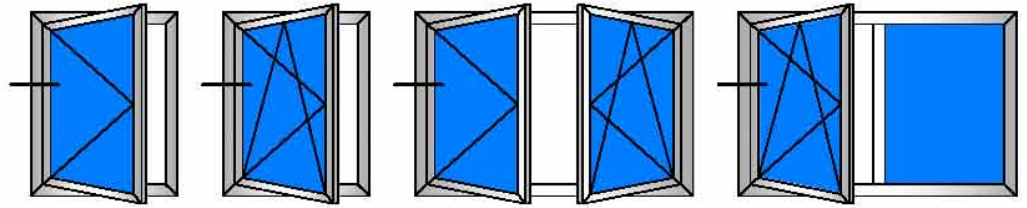
No visible surface

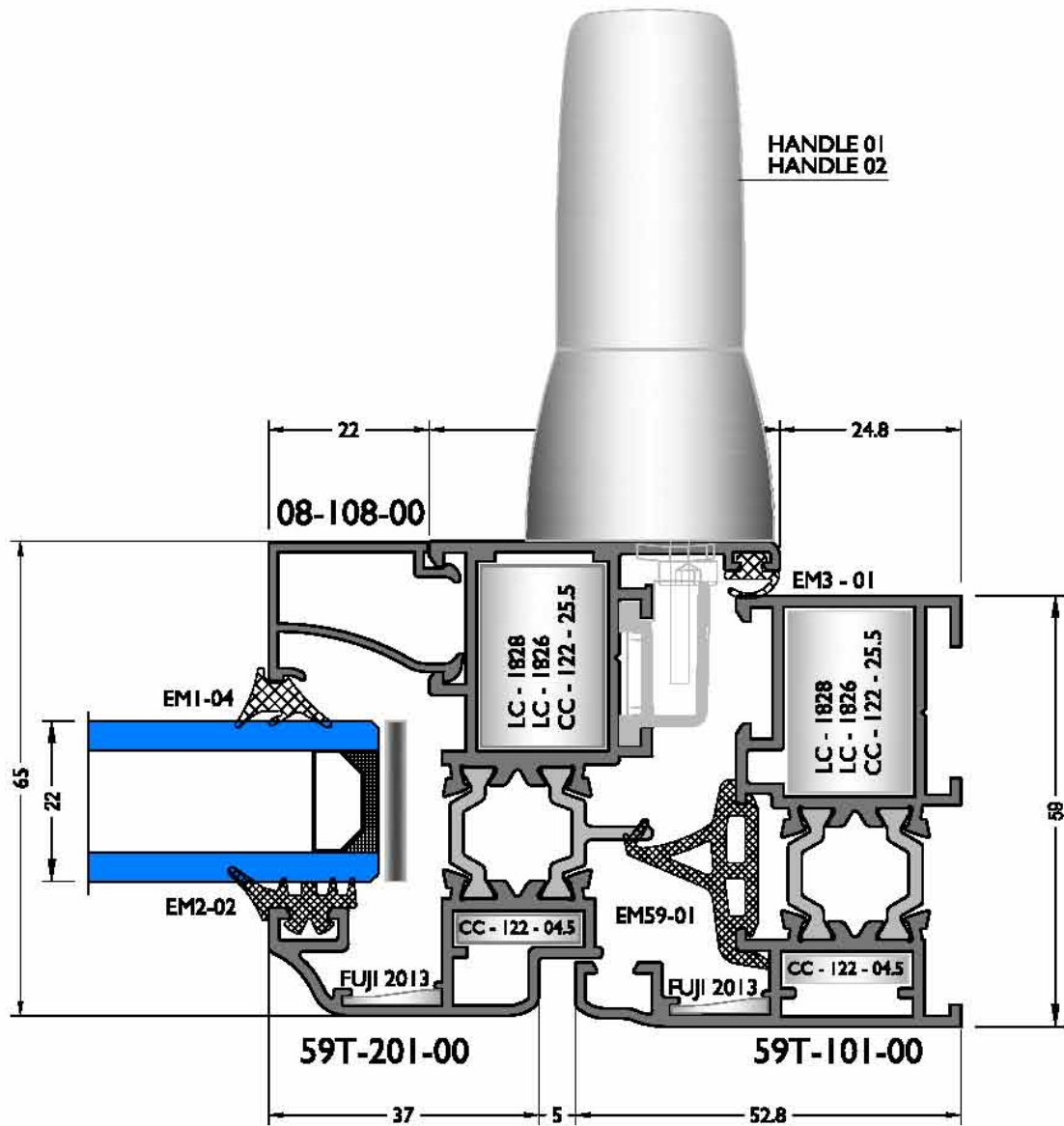
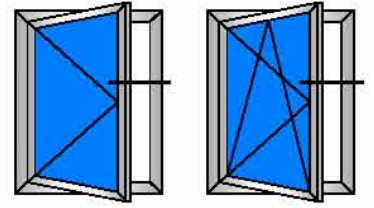
ALUMINIUM

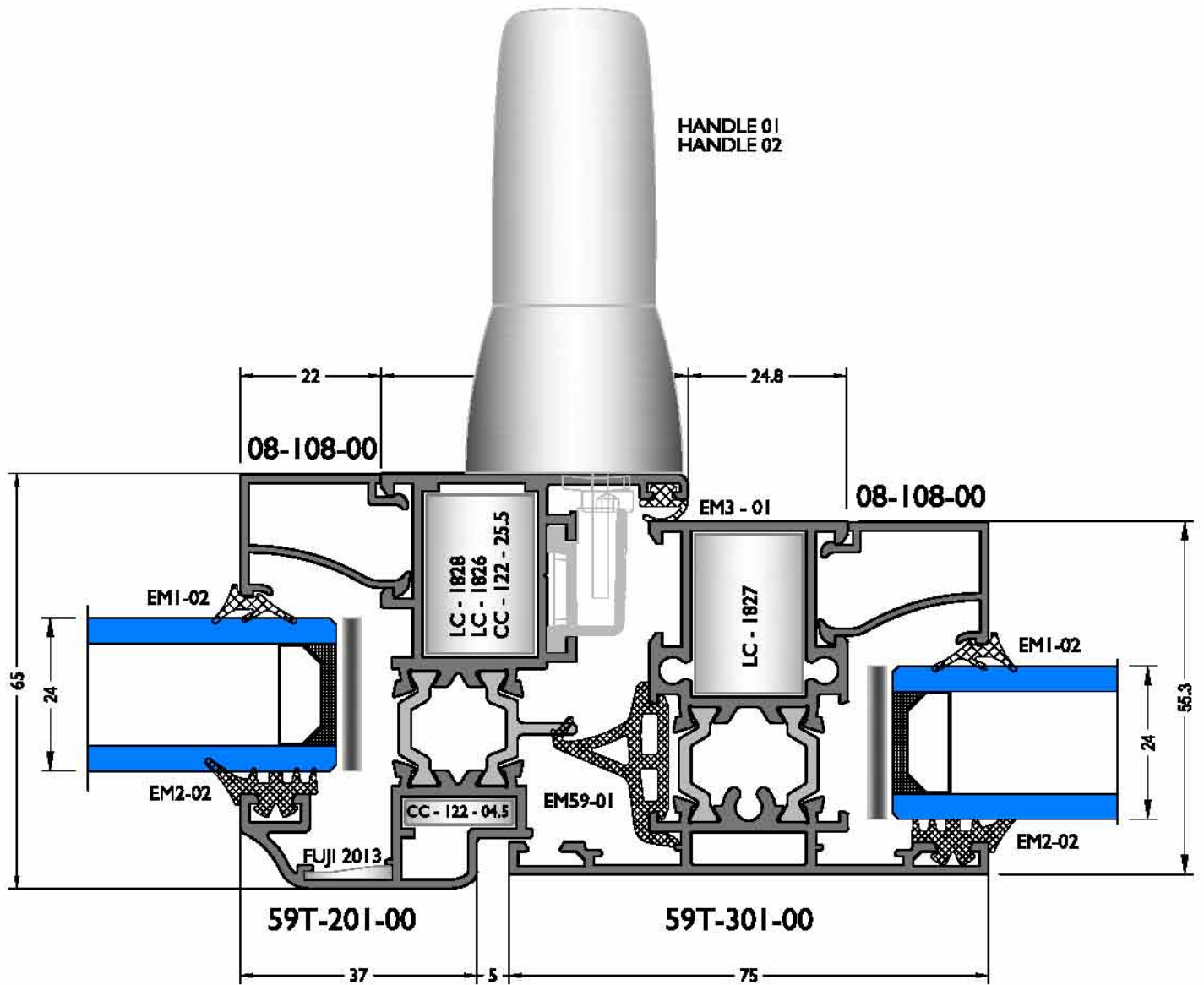
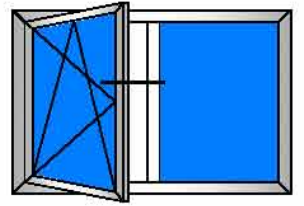
b - DETAILS

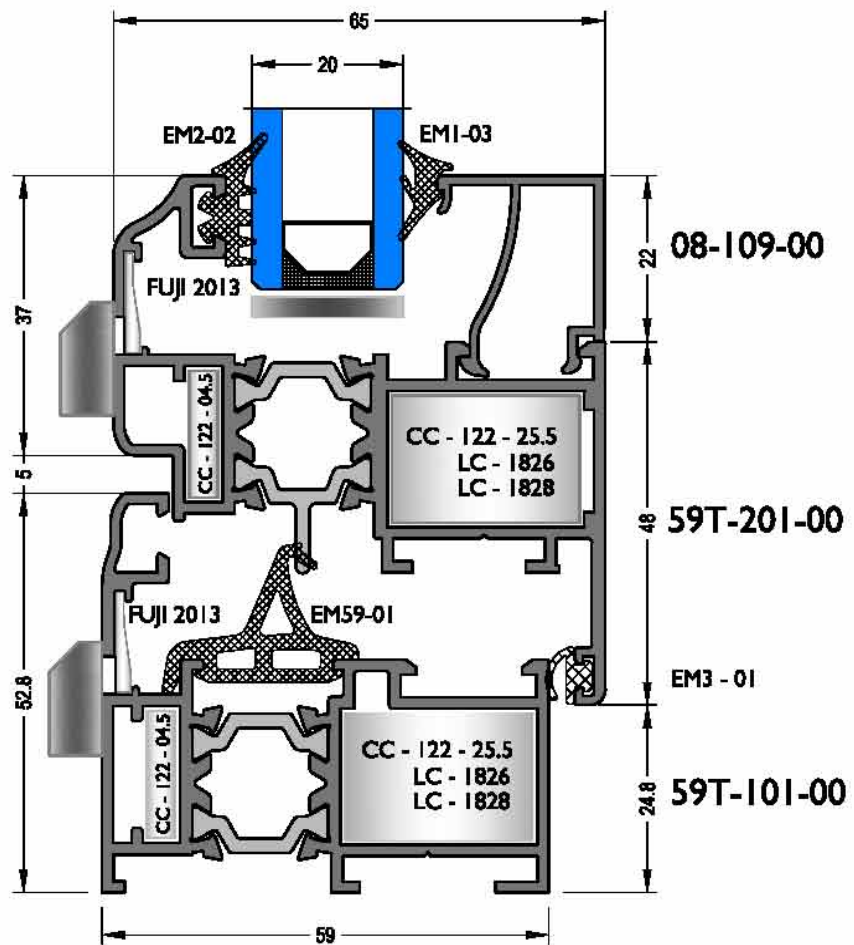
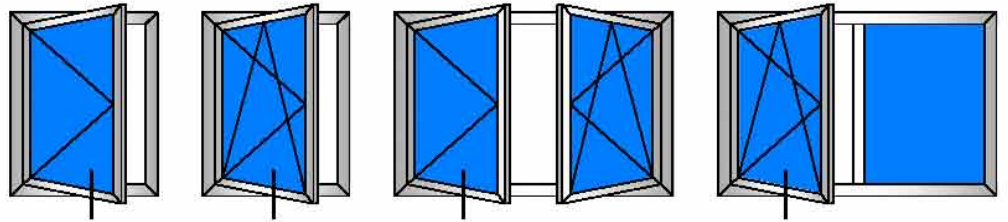


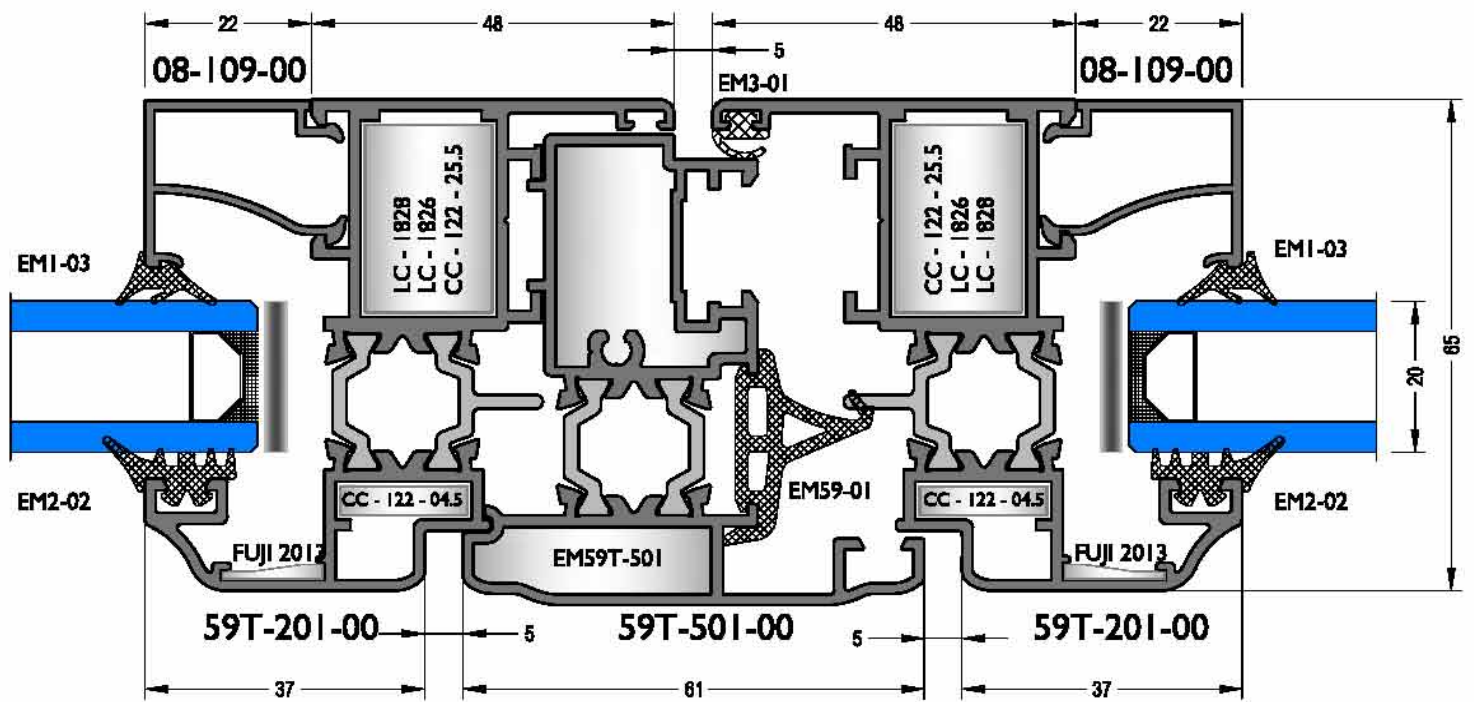
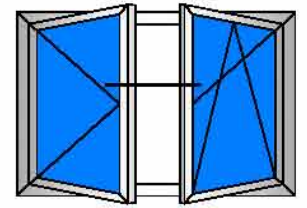


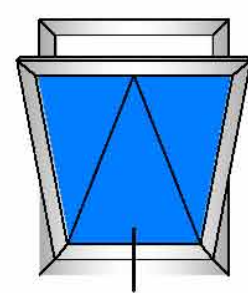
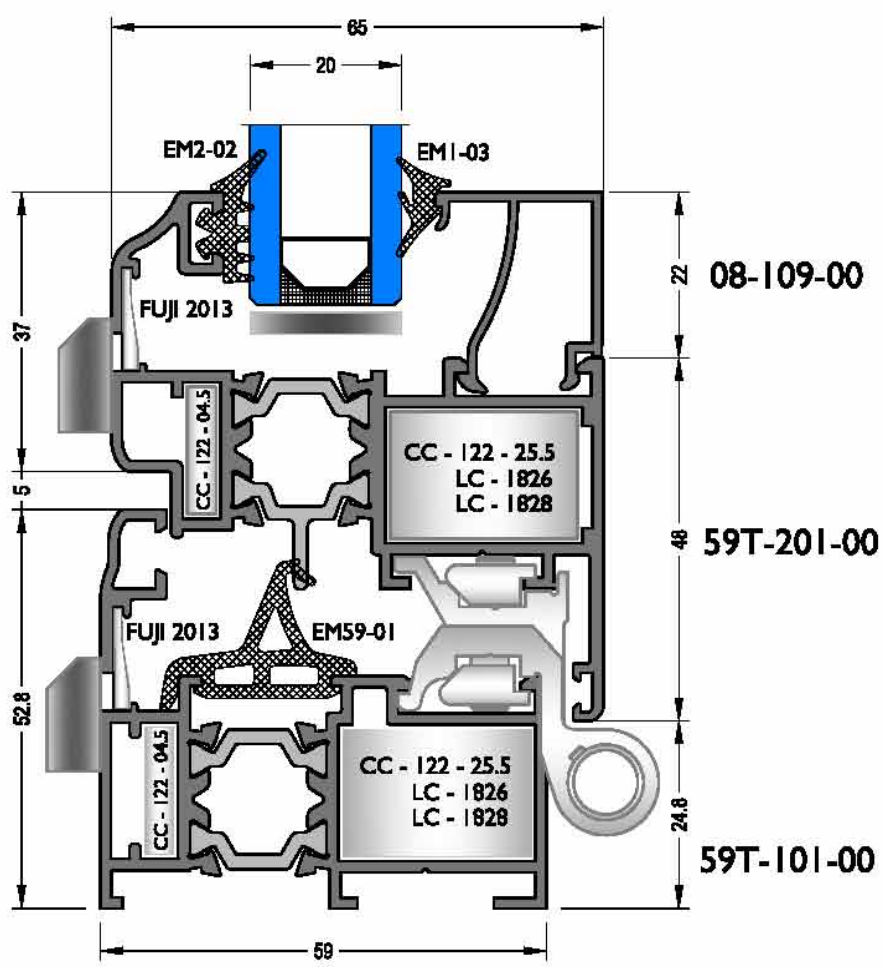
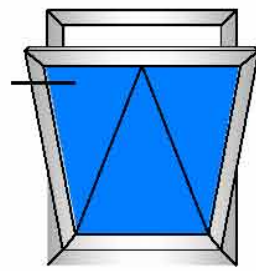
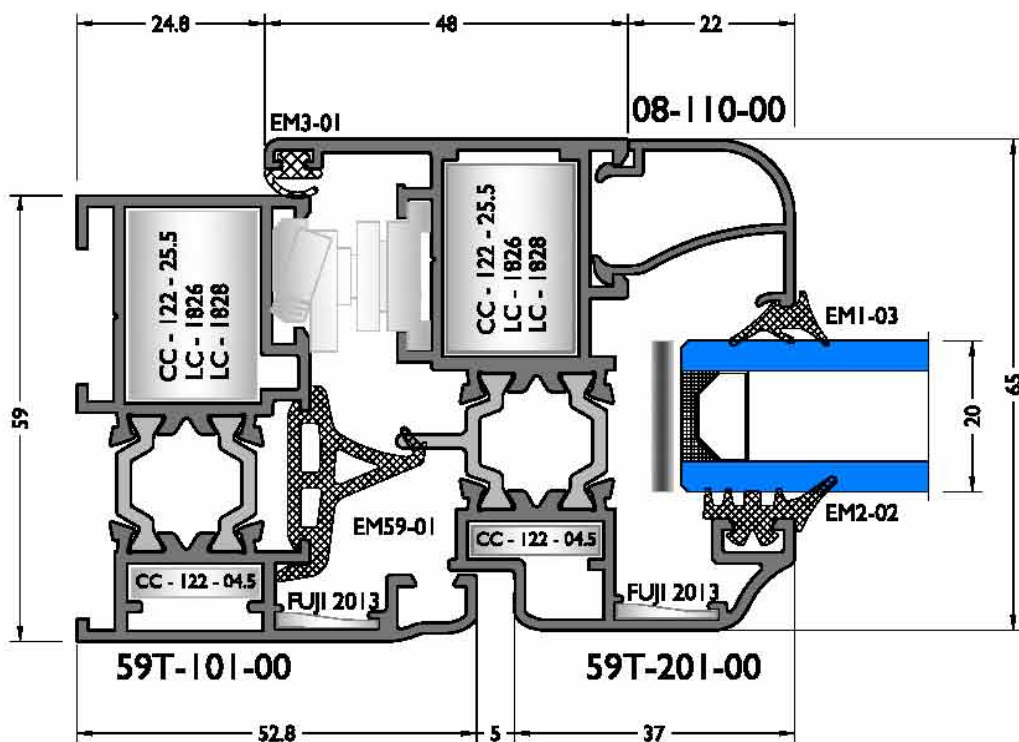


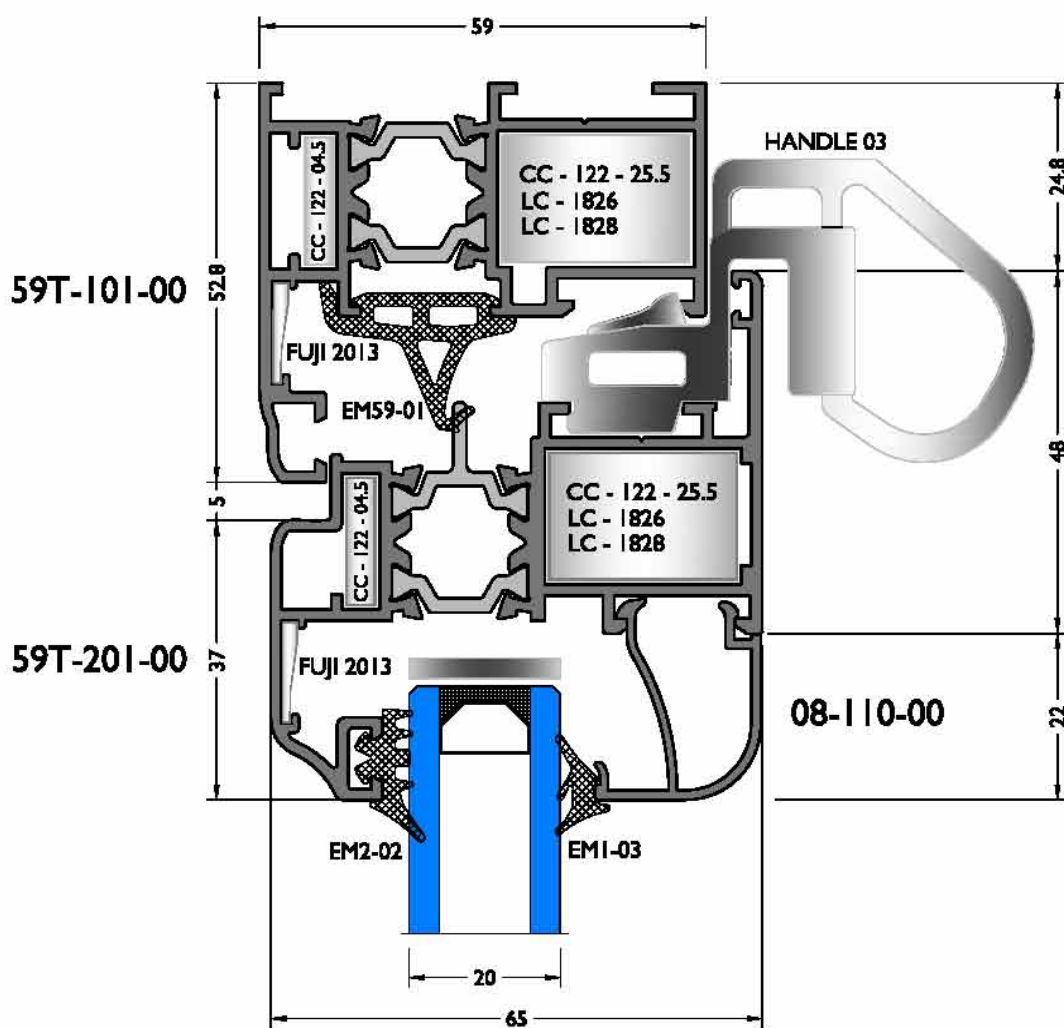
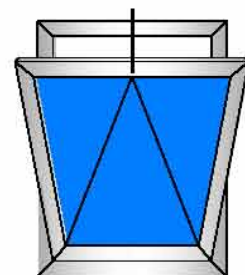


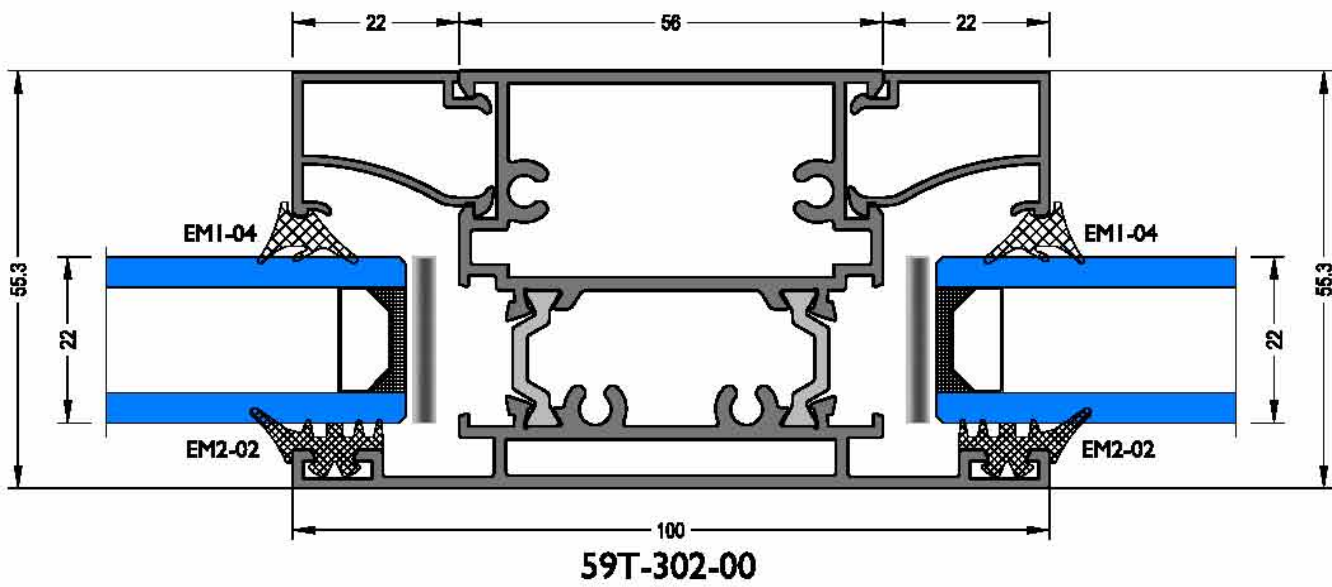
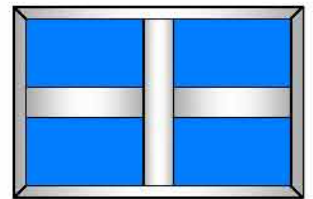
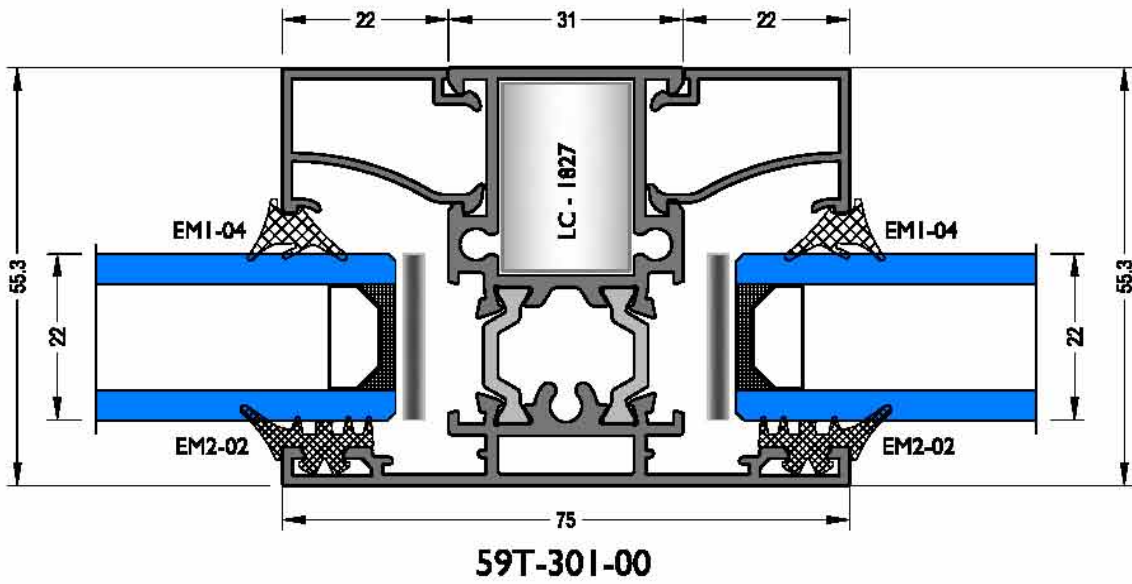
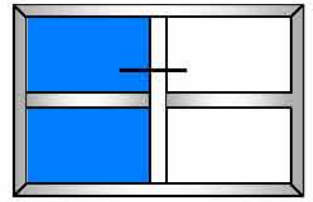


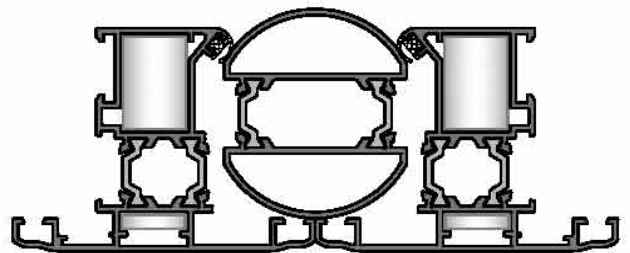
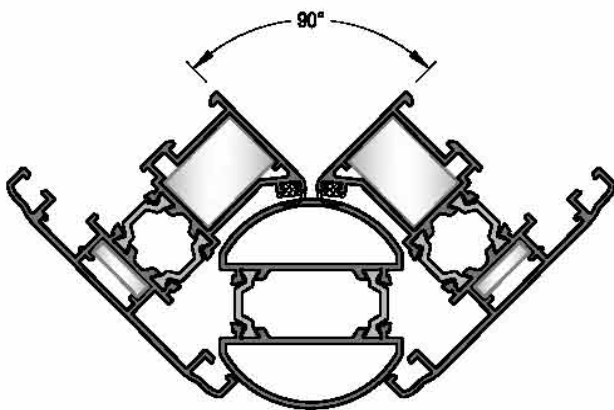
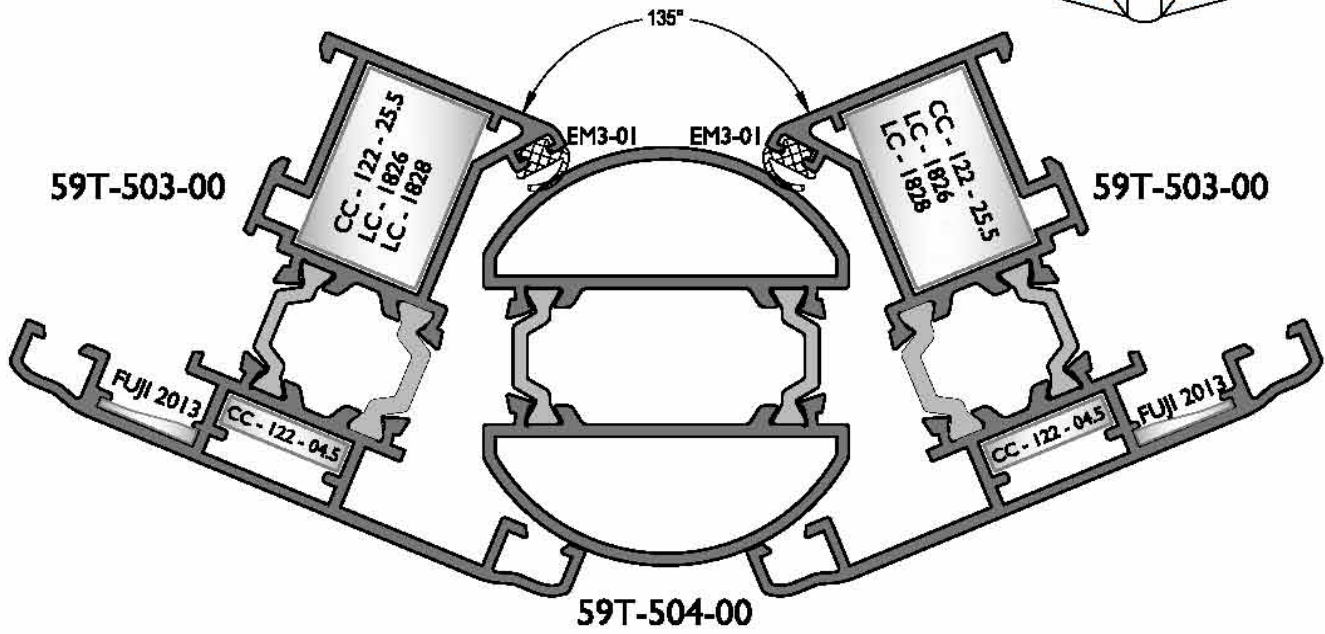
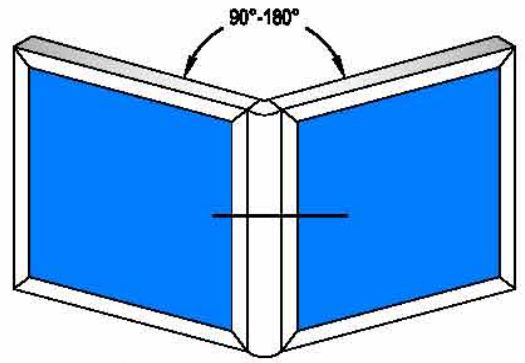




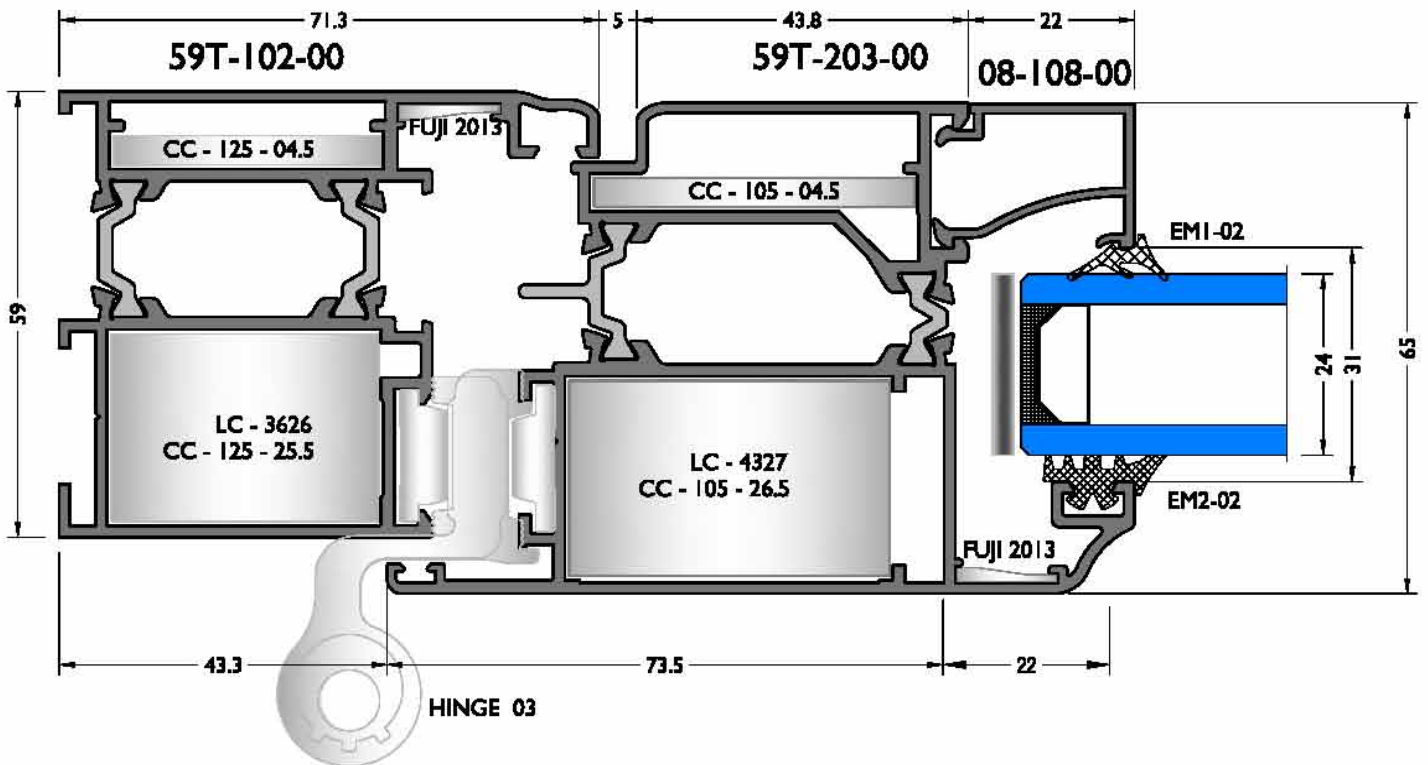
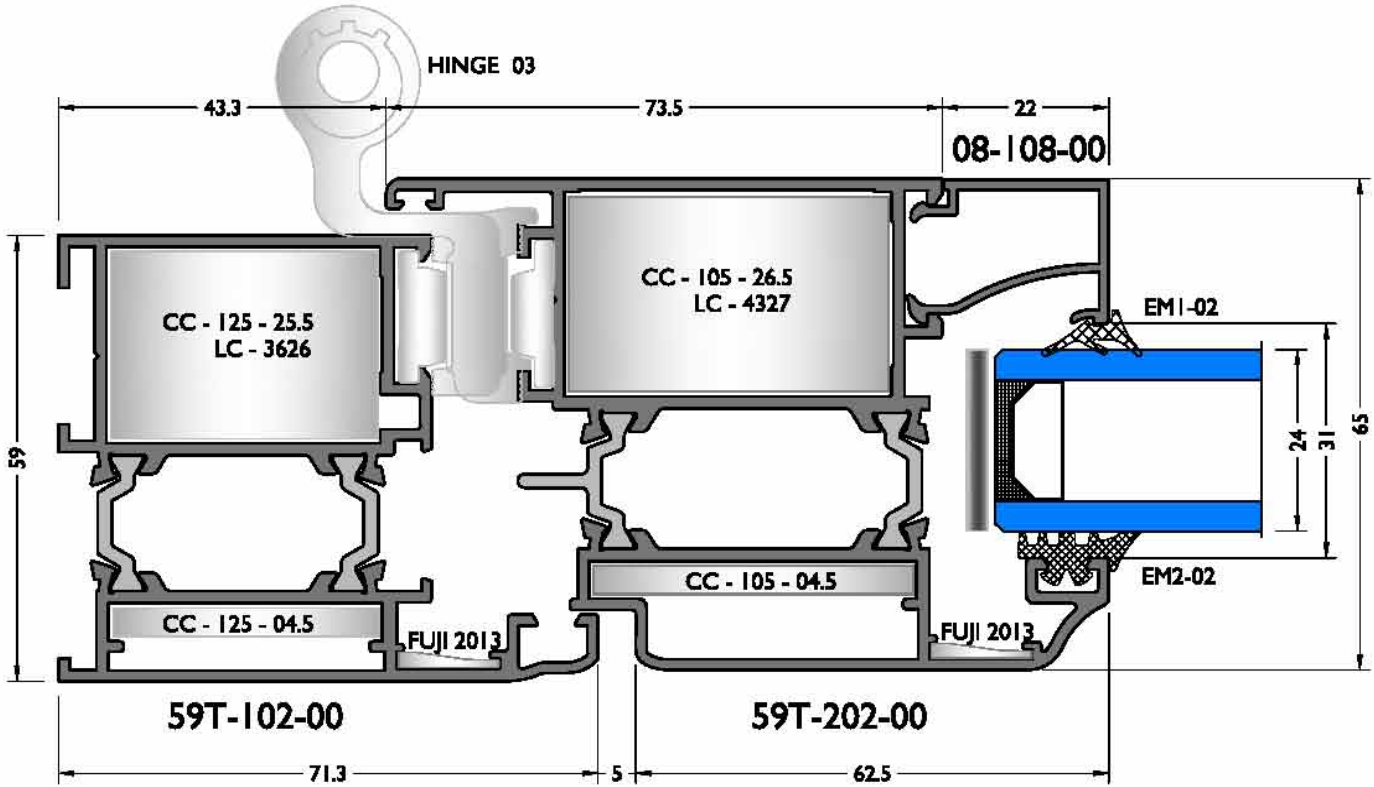
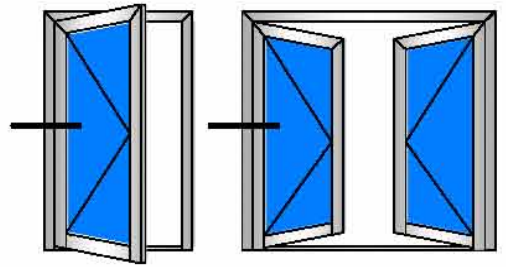


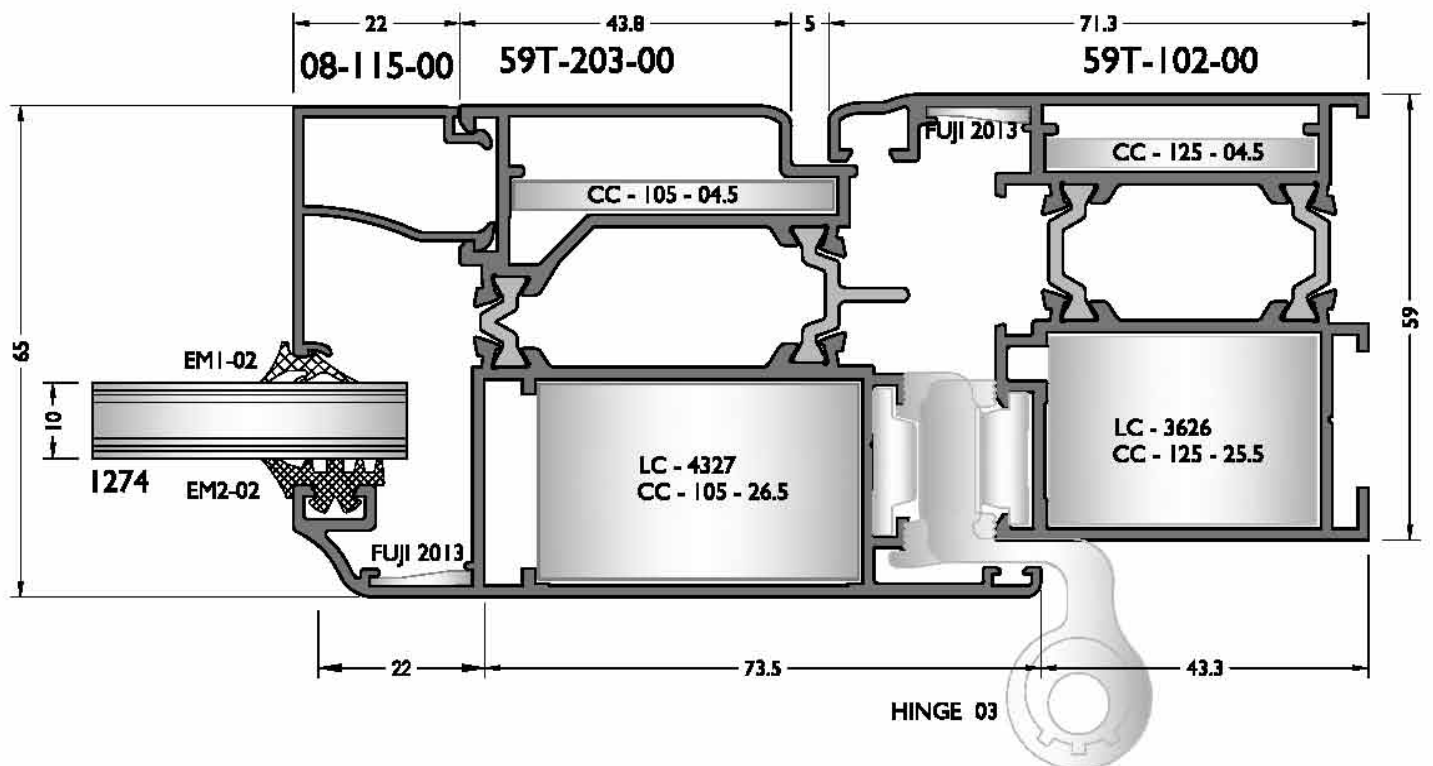
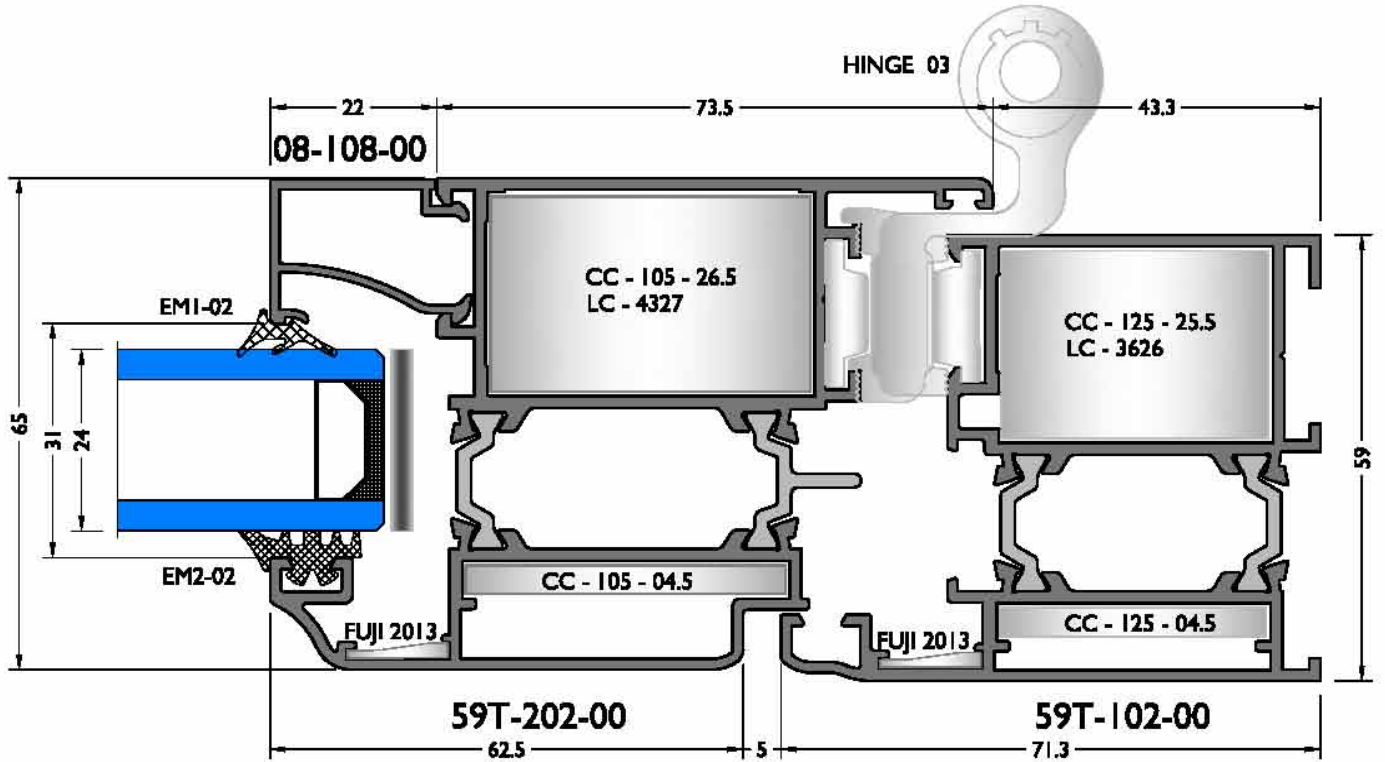
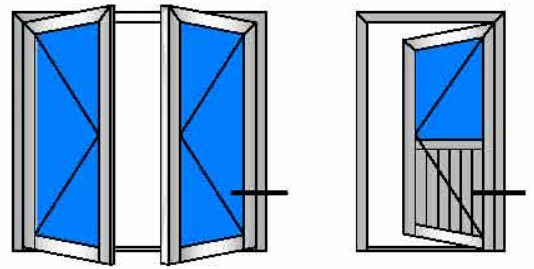


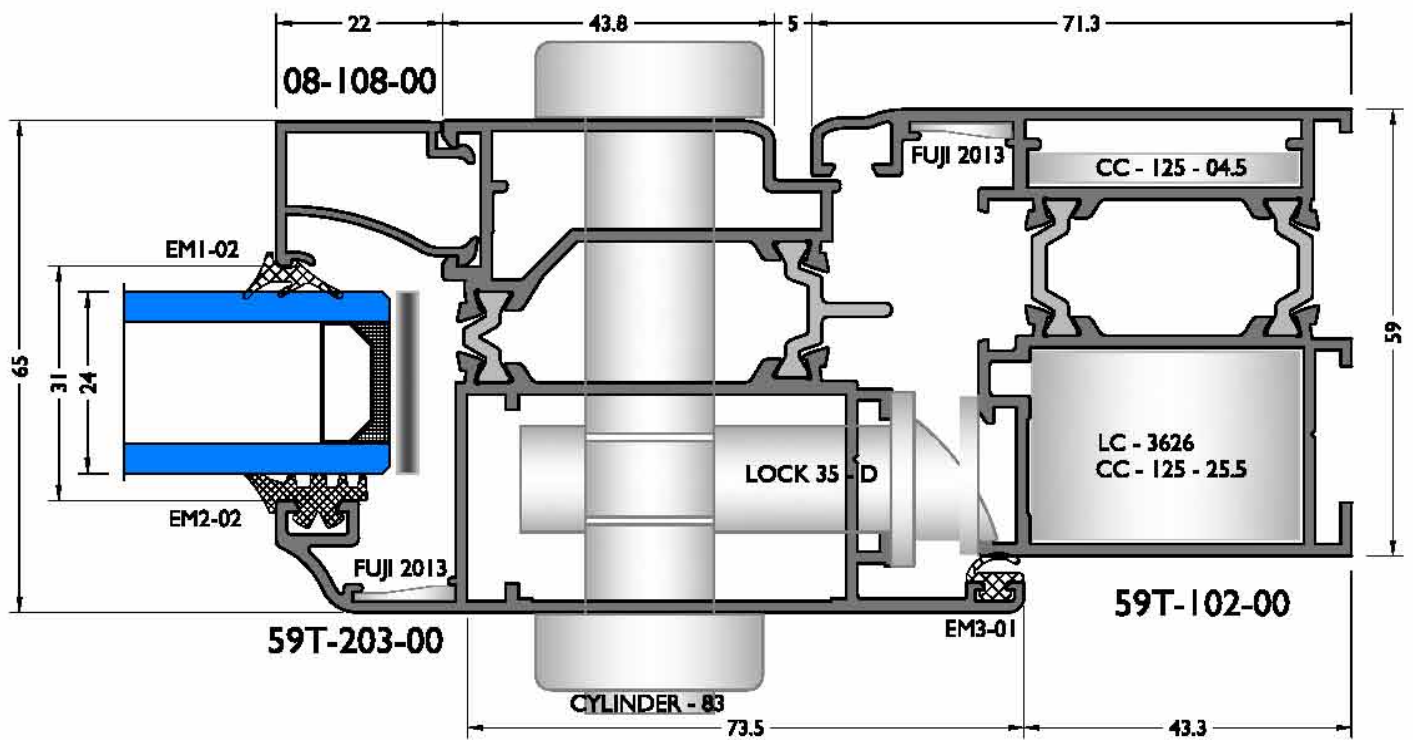
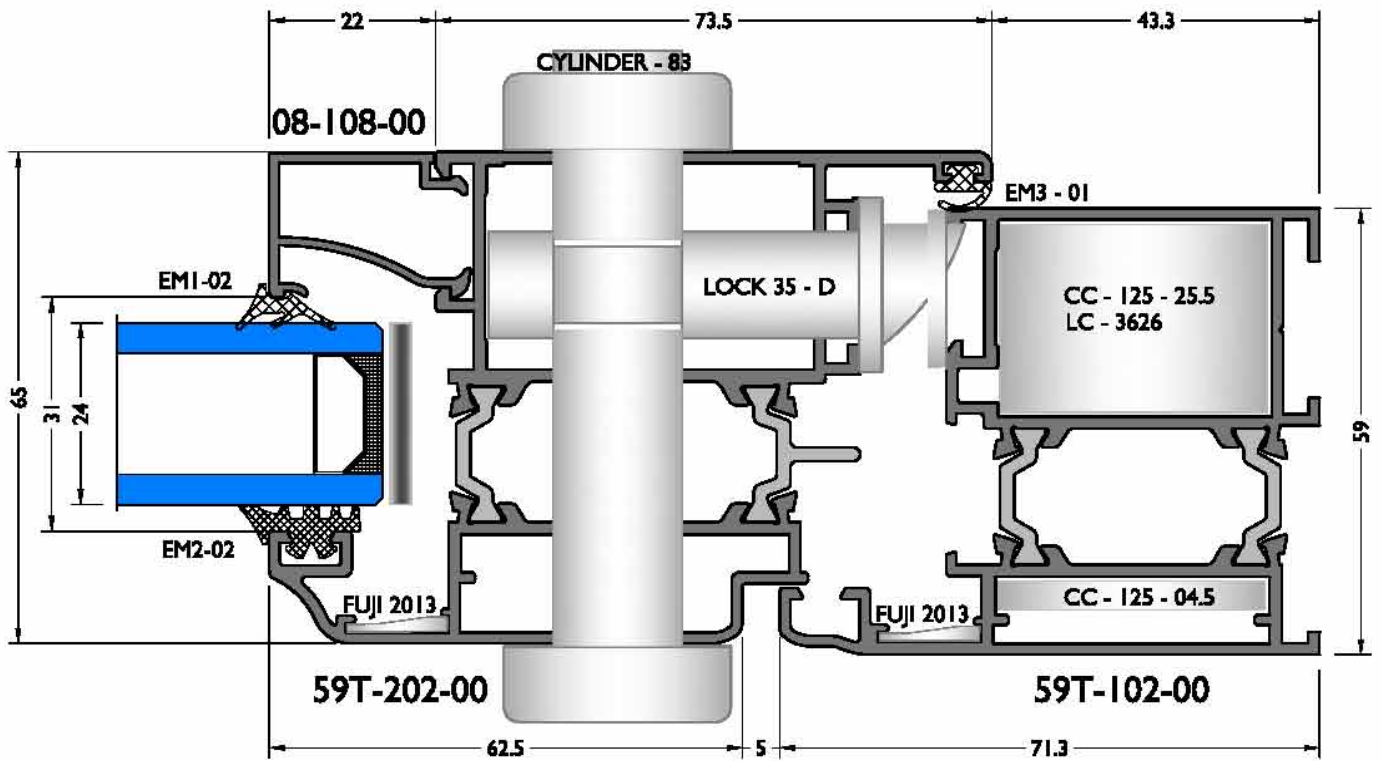
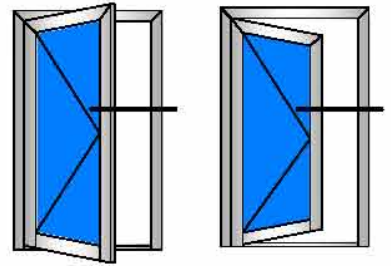


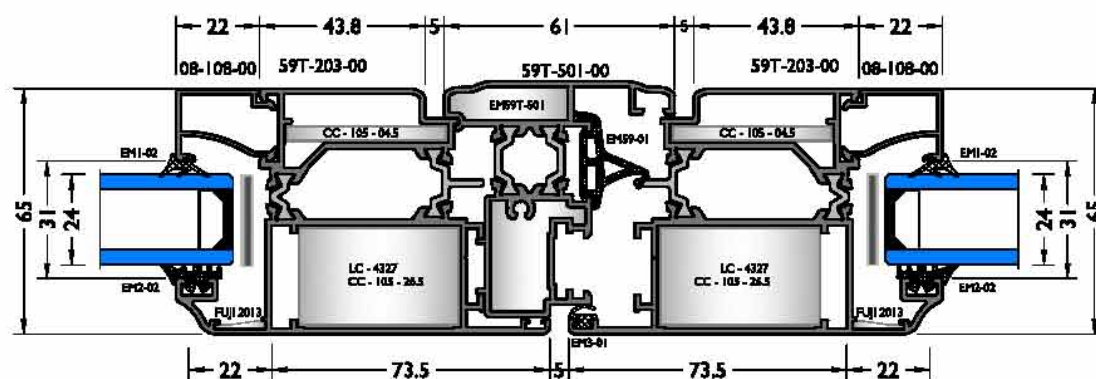
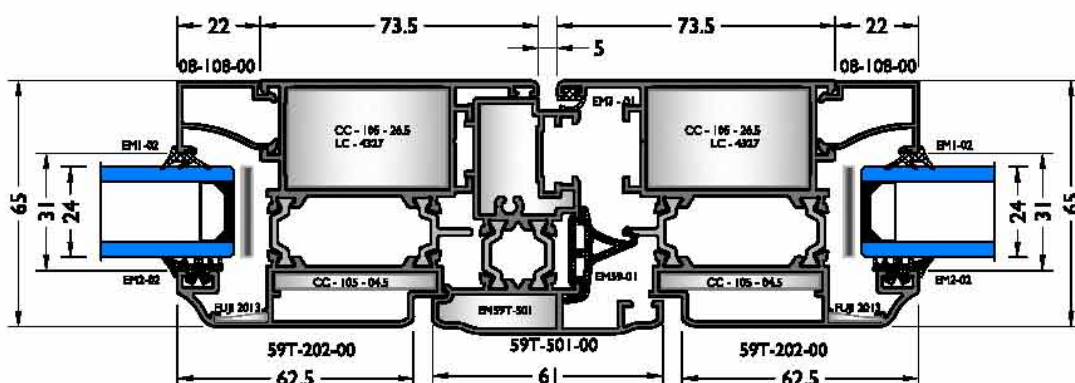
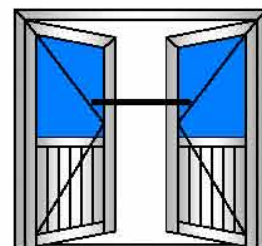
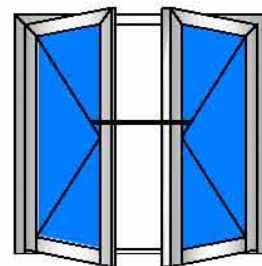


Scale : 1/2

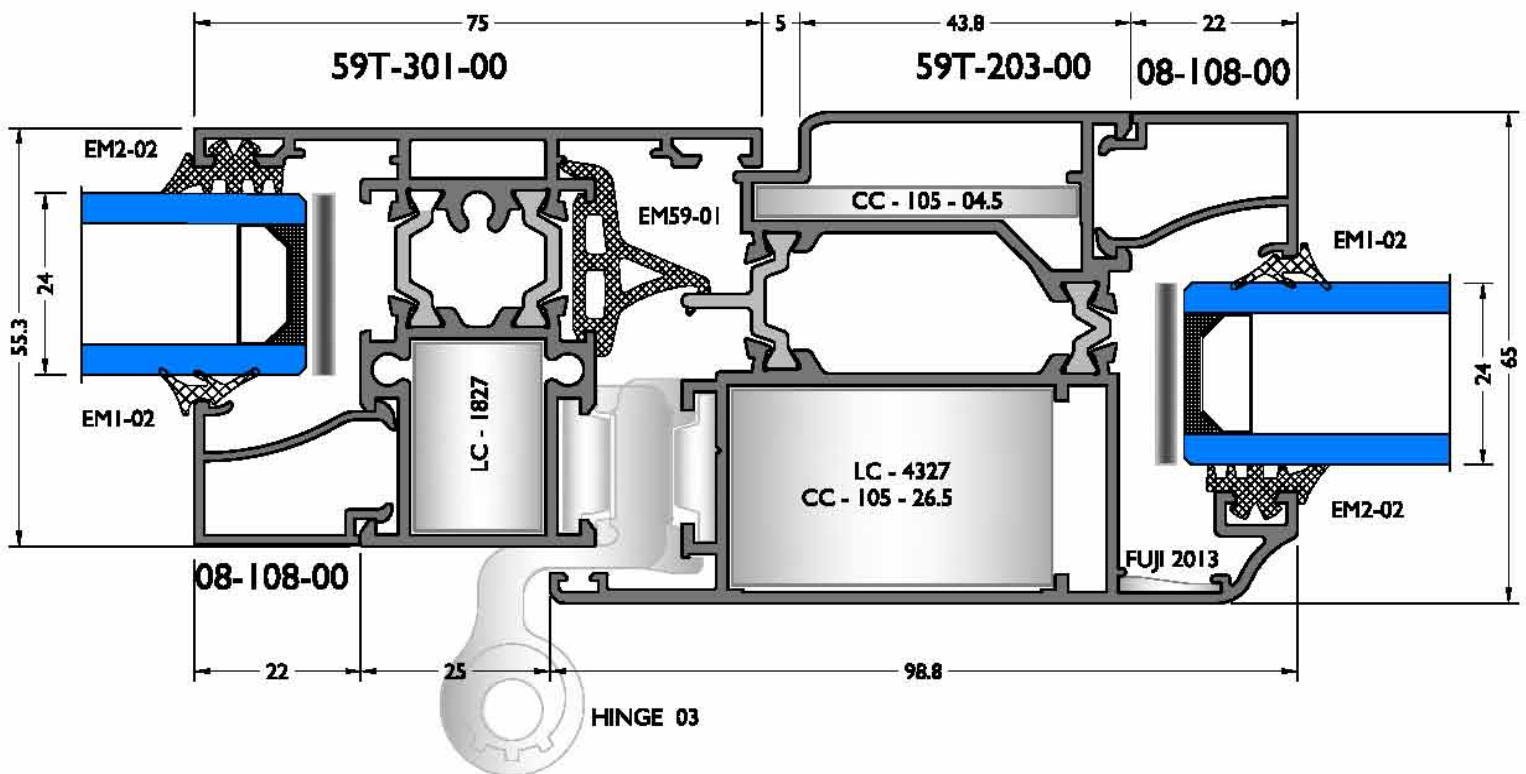
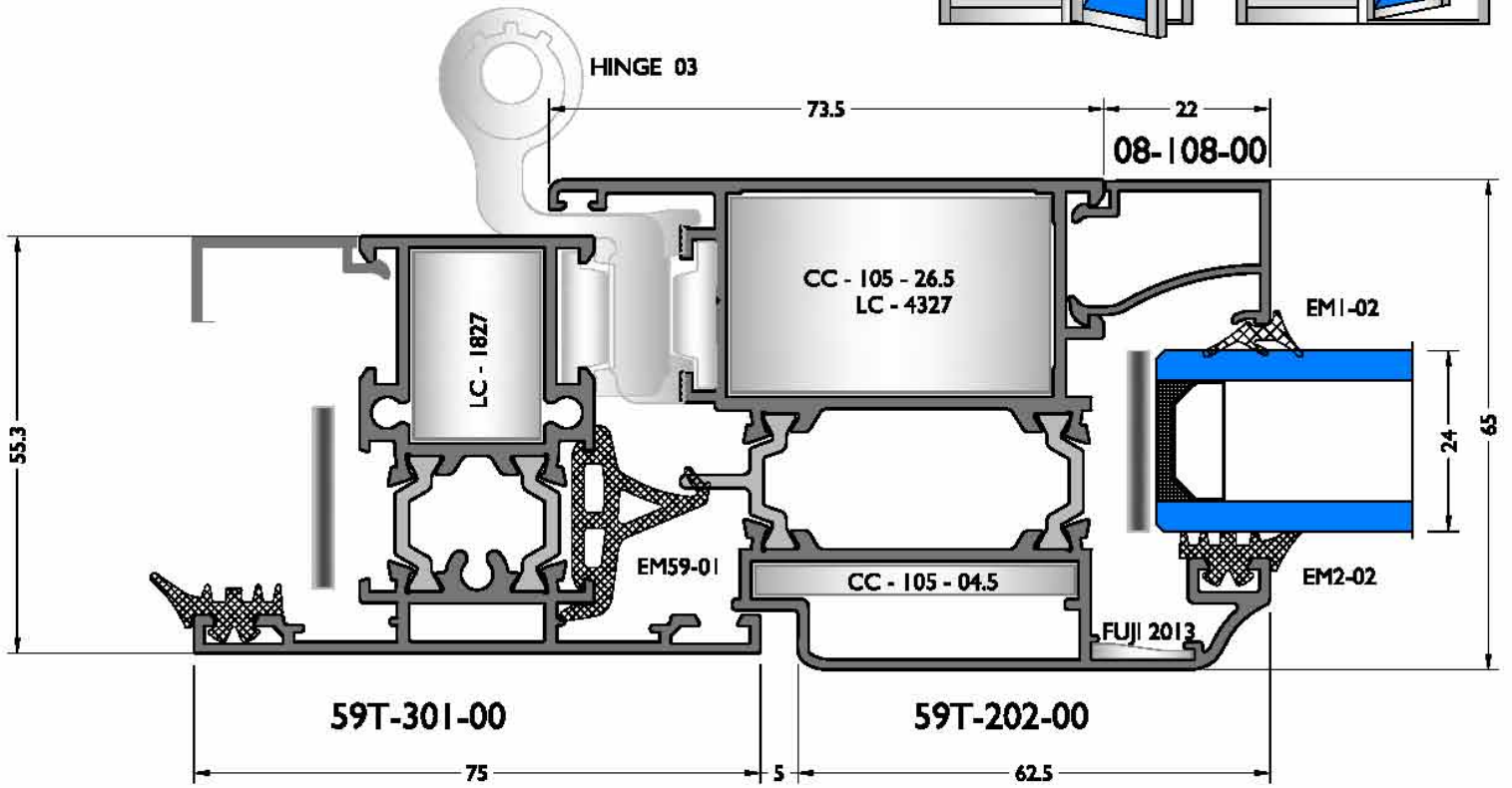
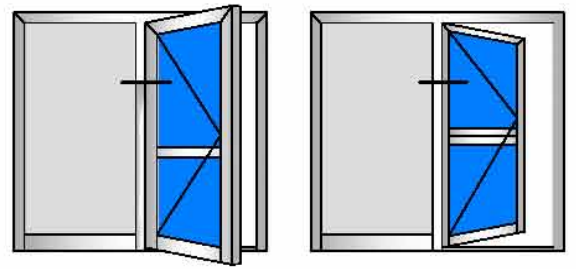


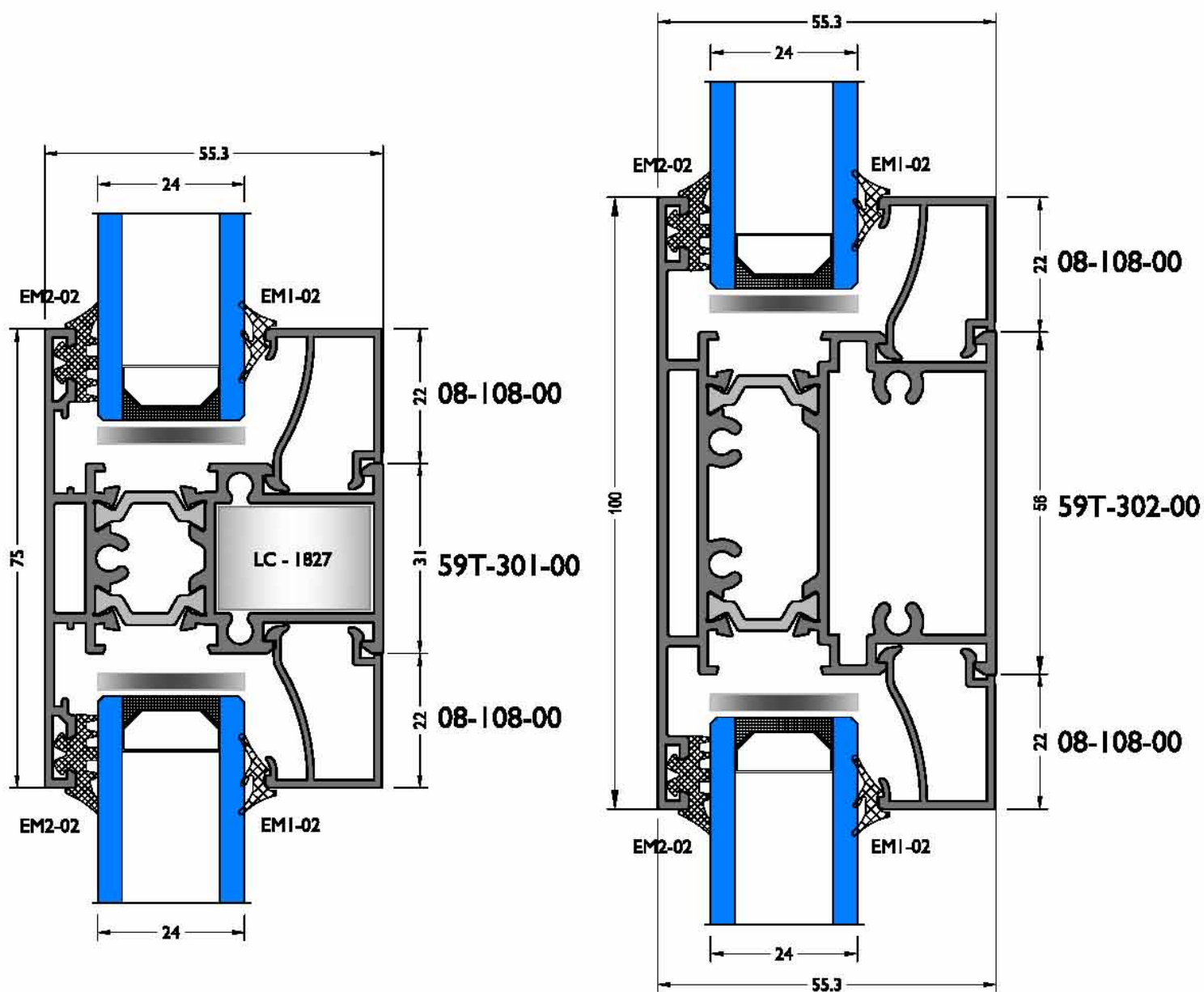
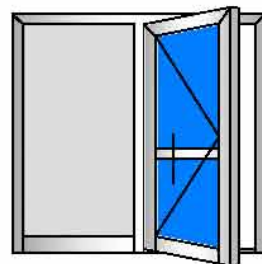


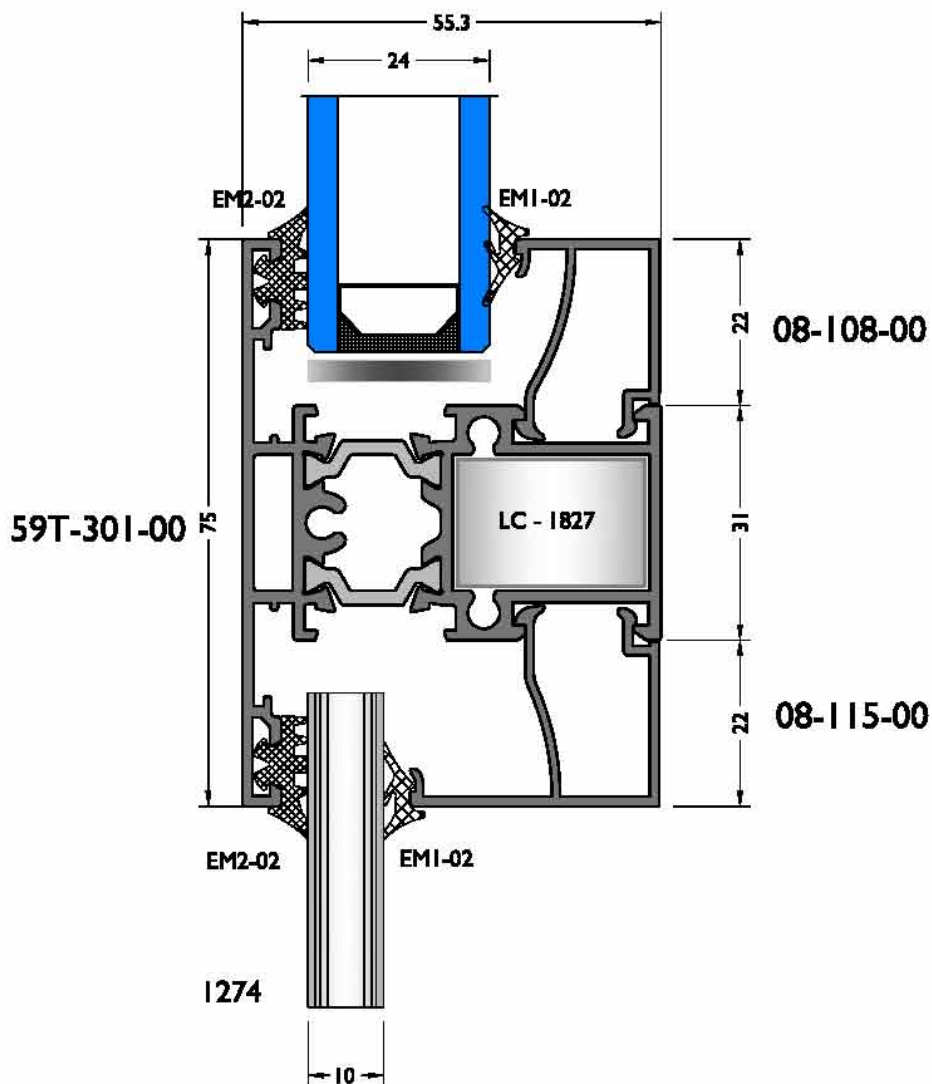
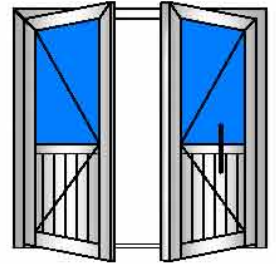
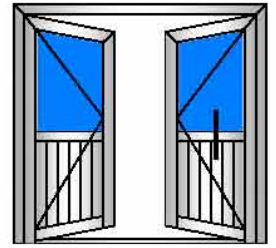


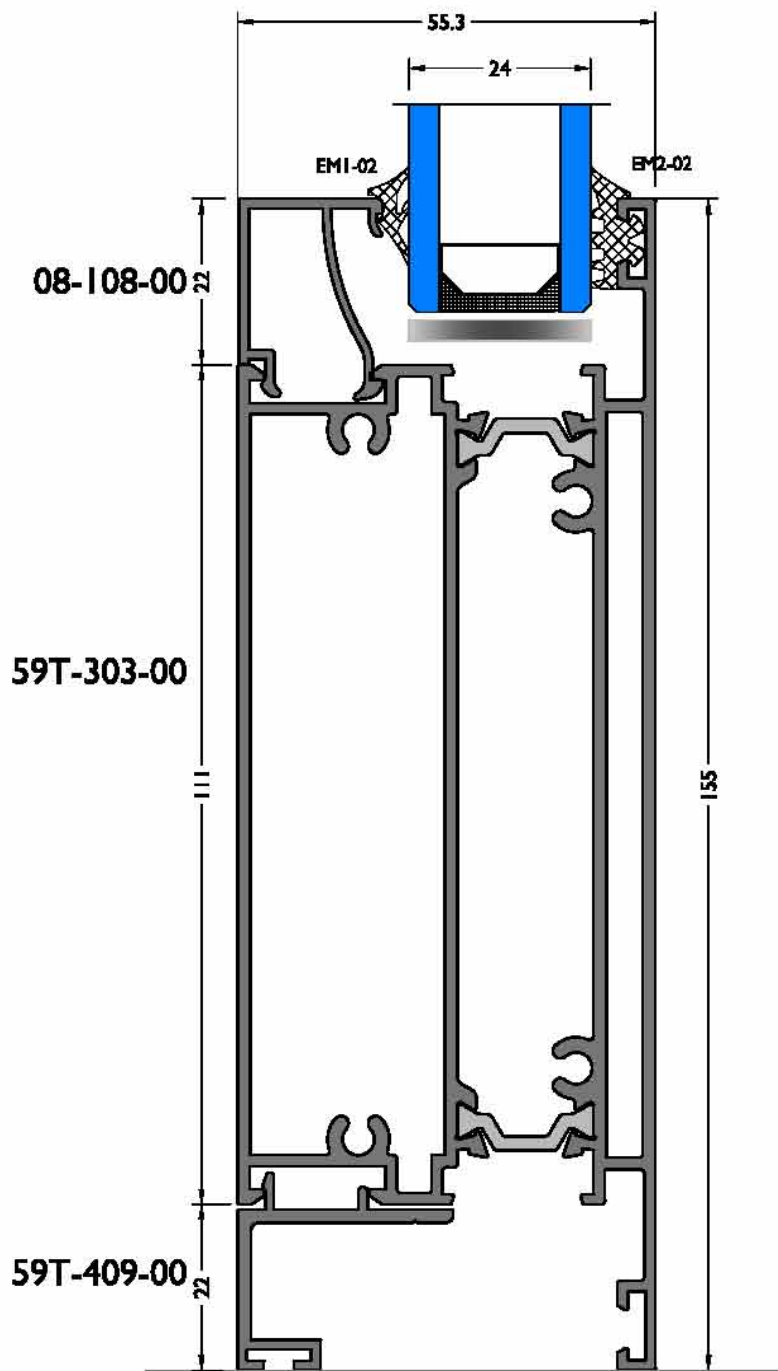
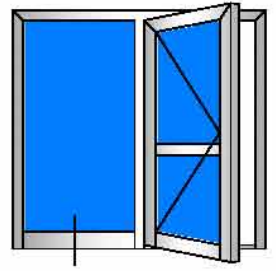


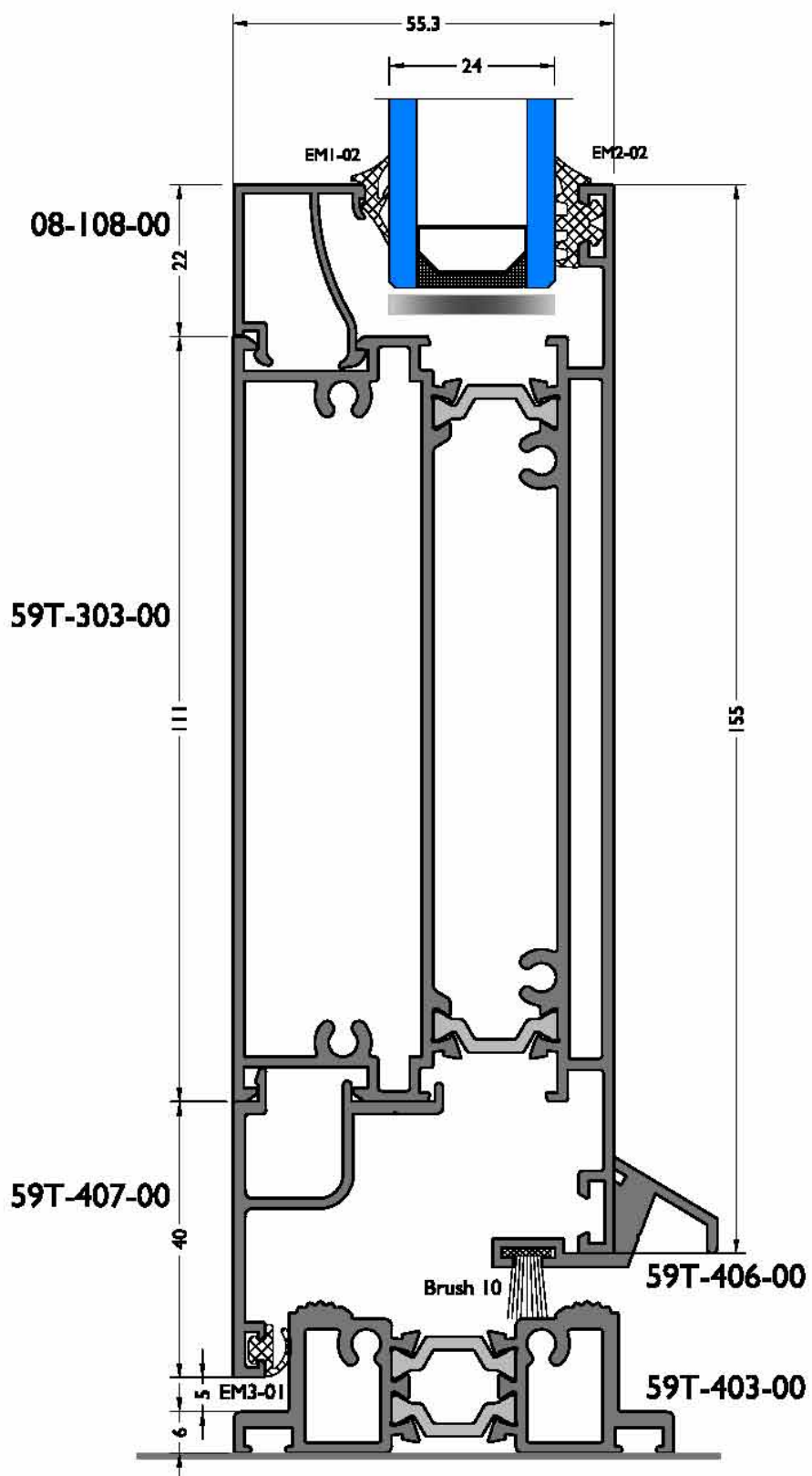
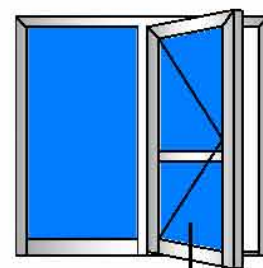
Scale : 1/2

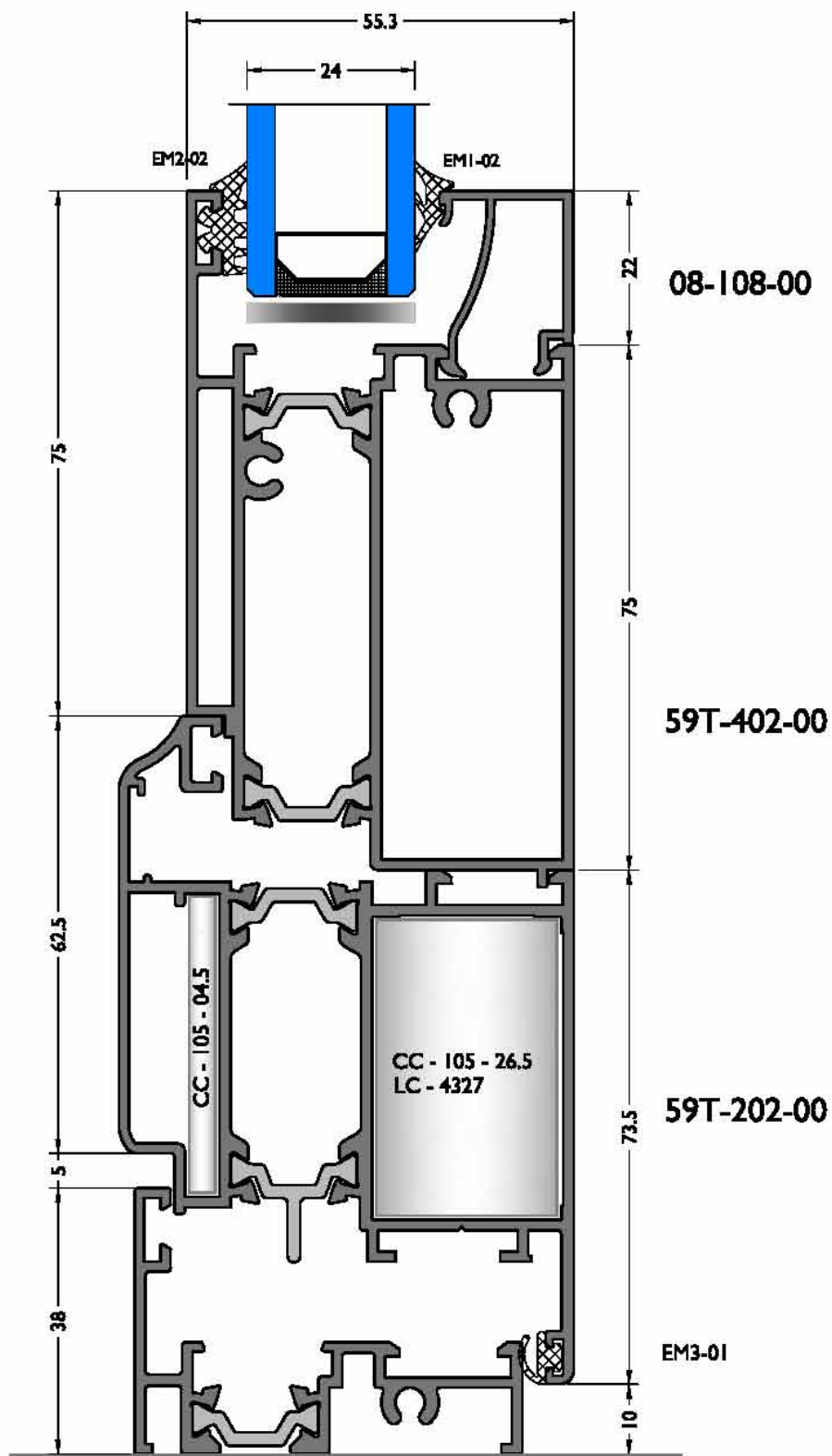
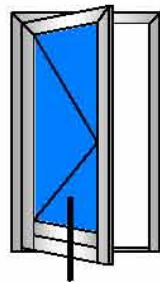


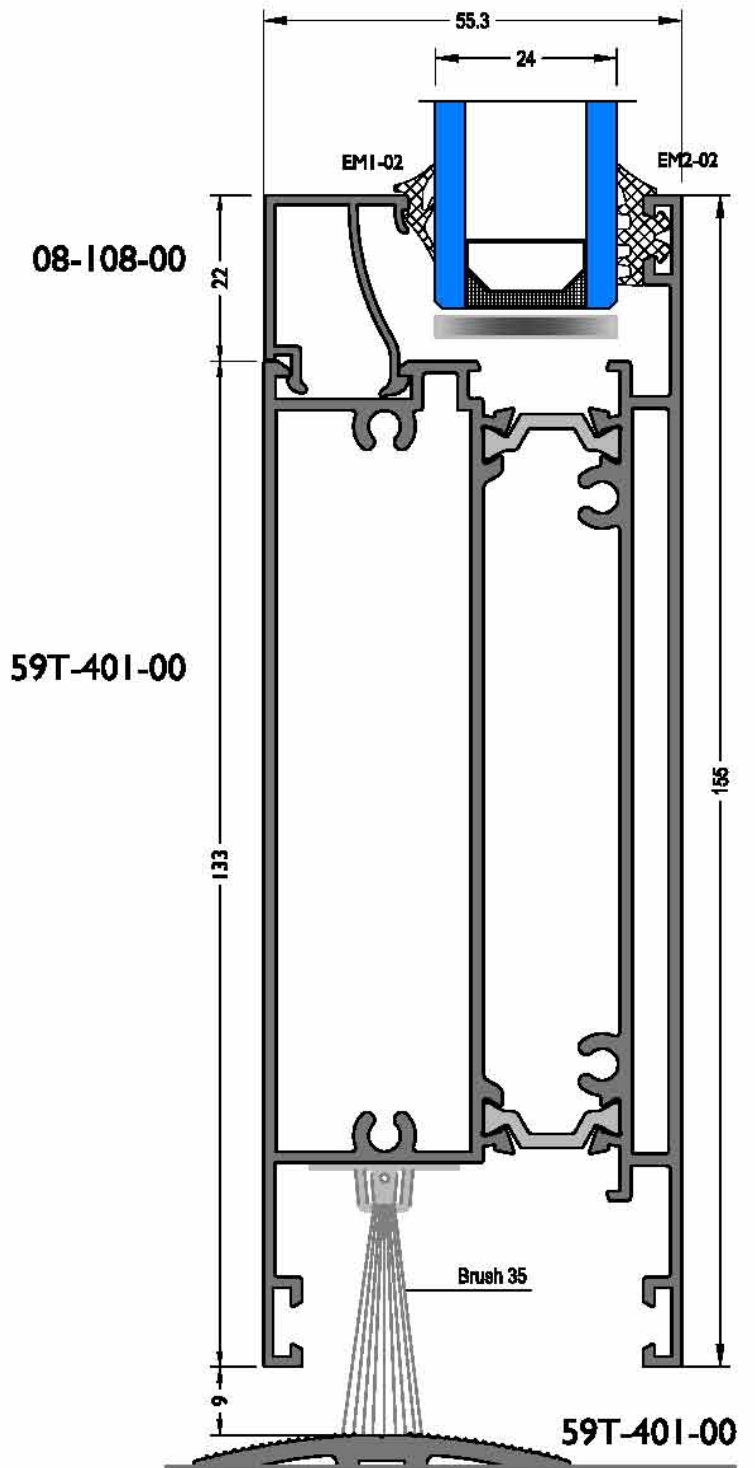
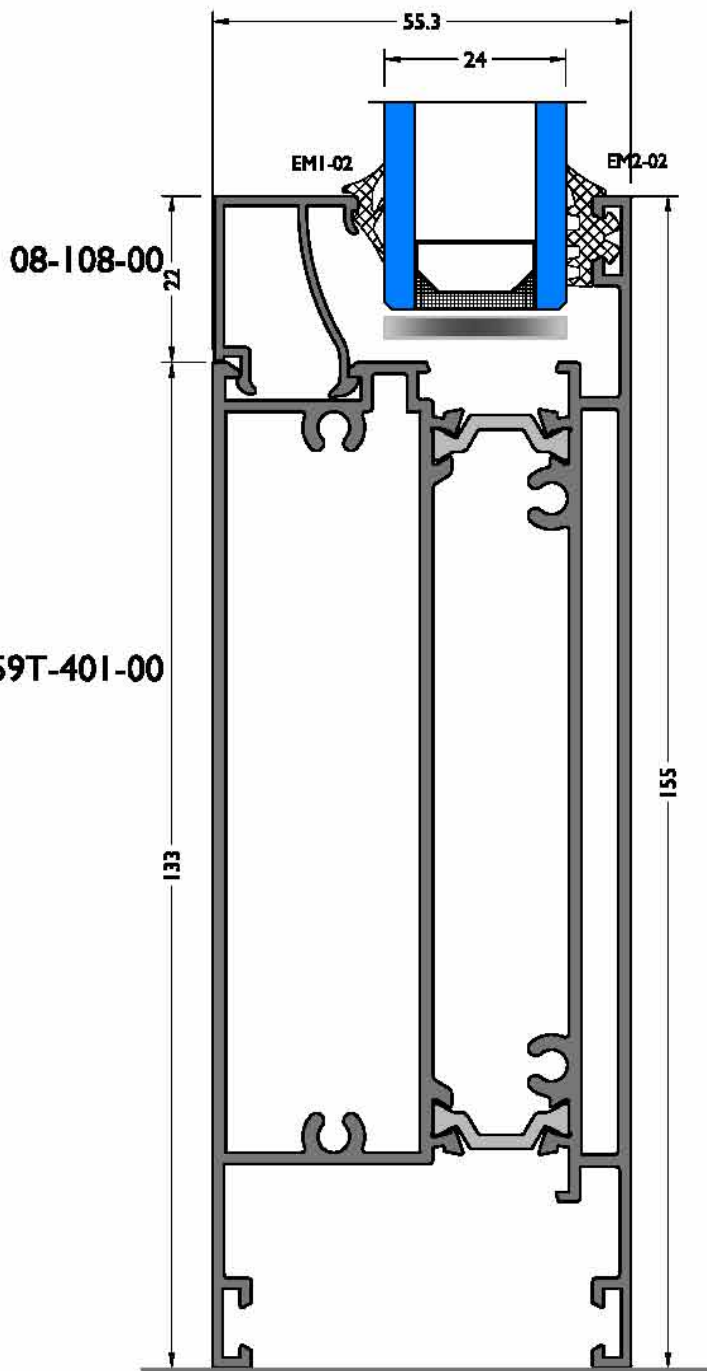
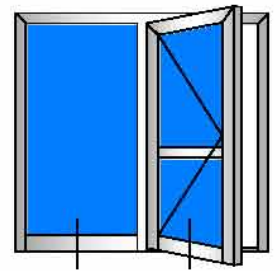


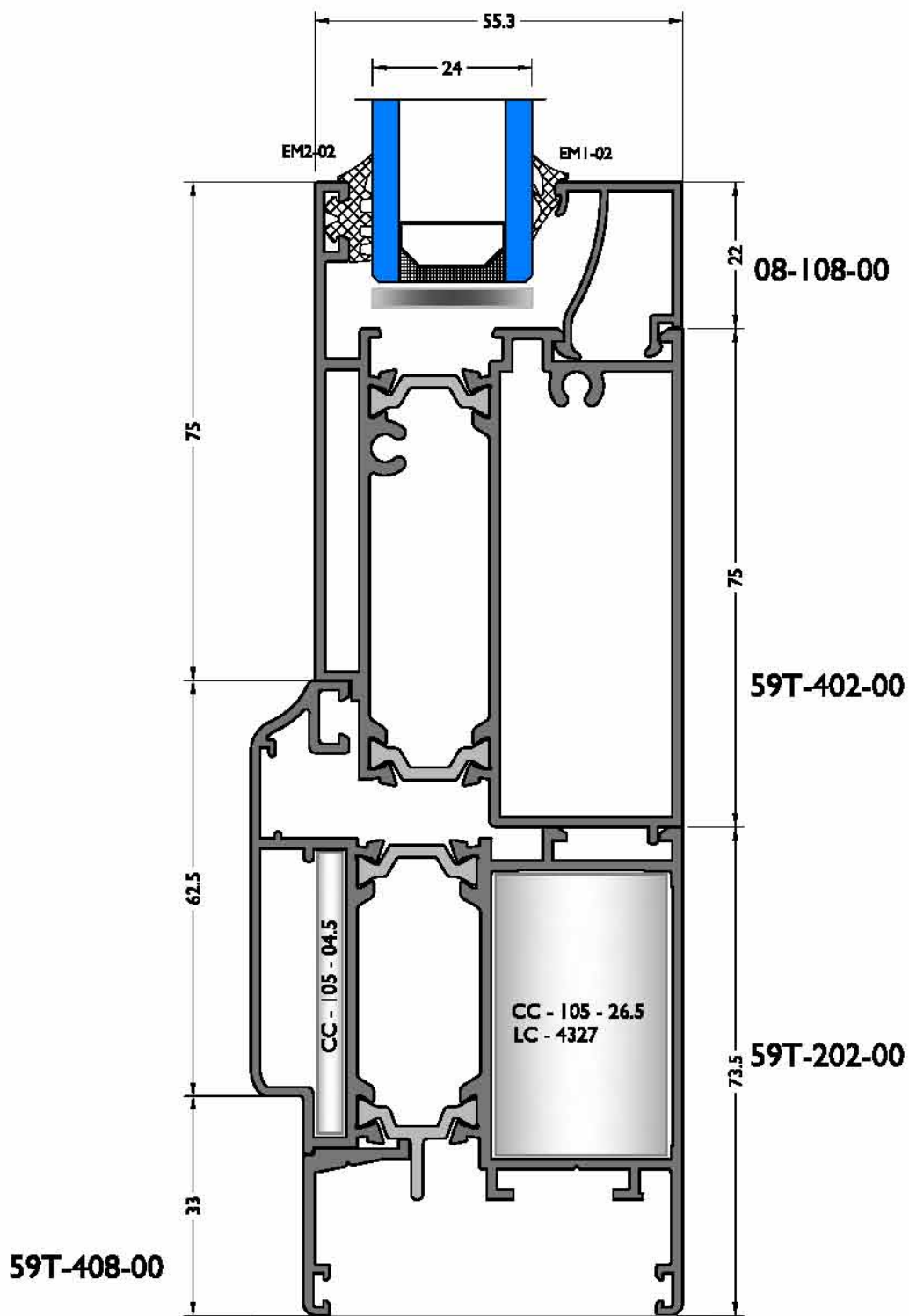
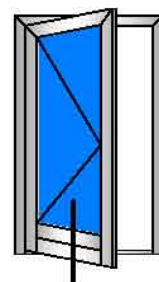


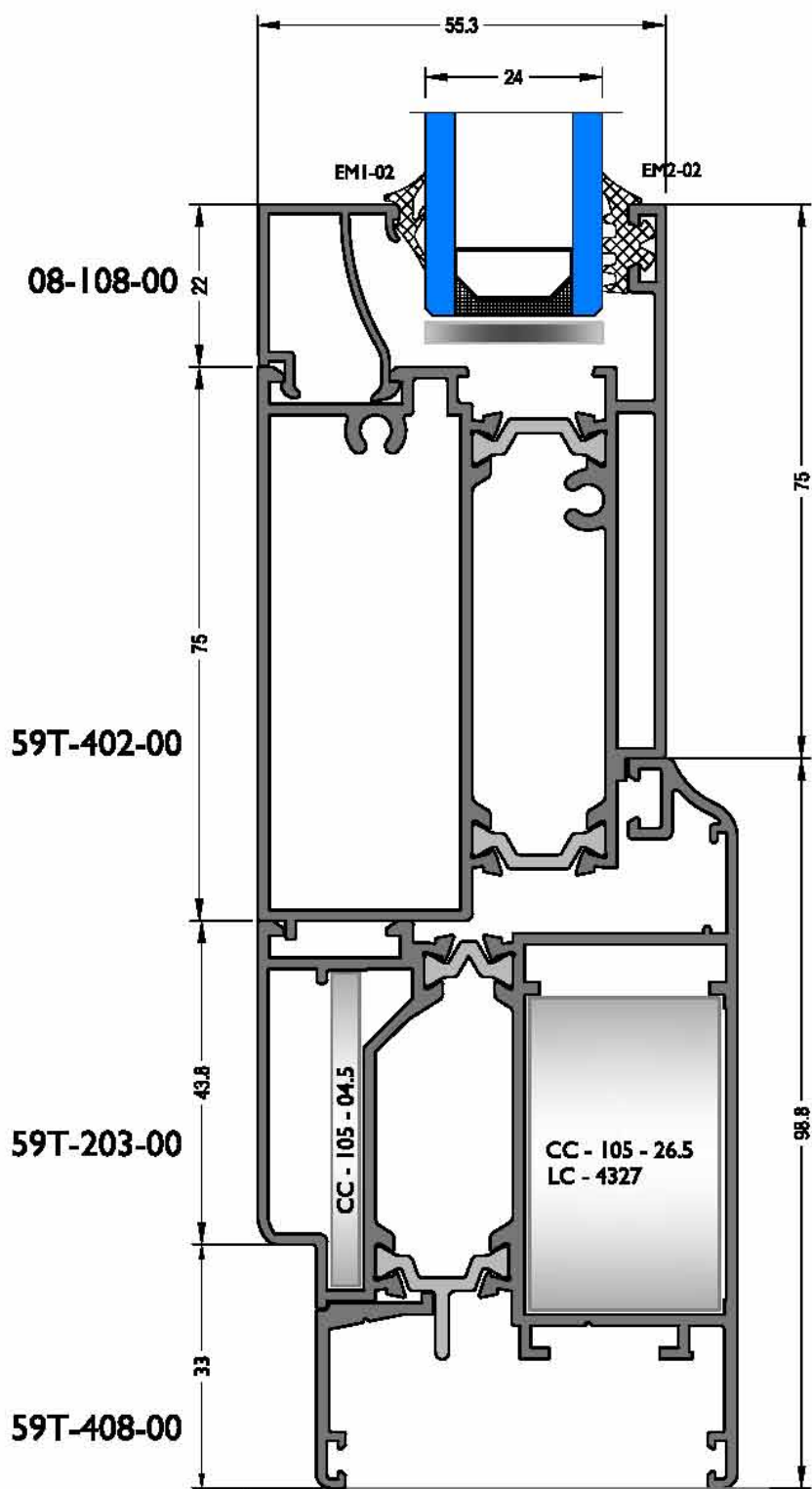
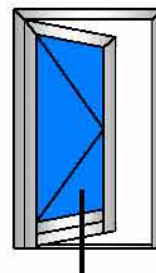


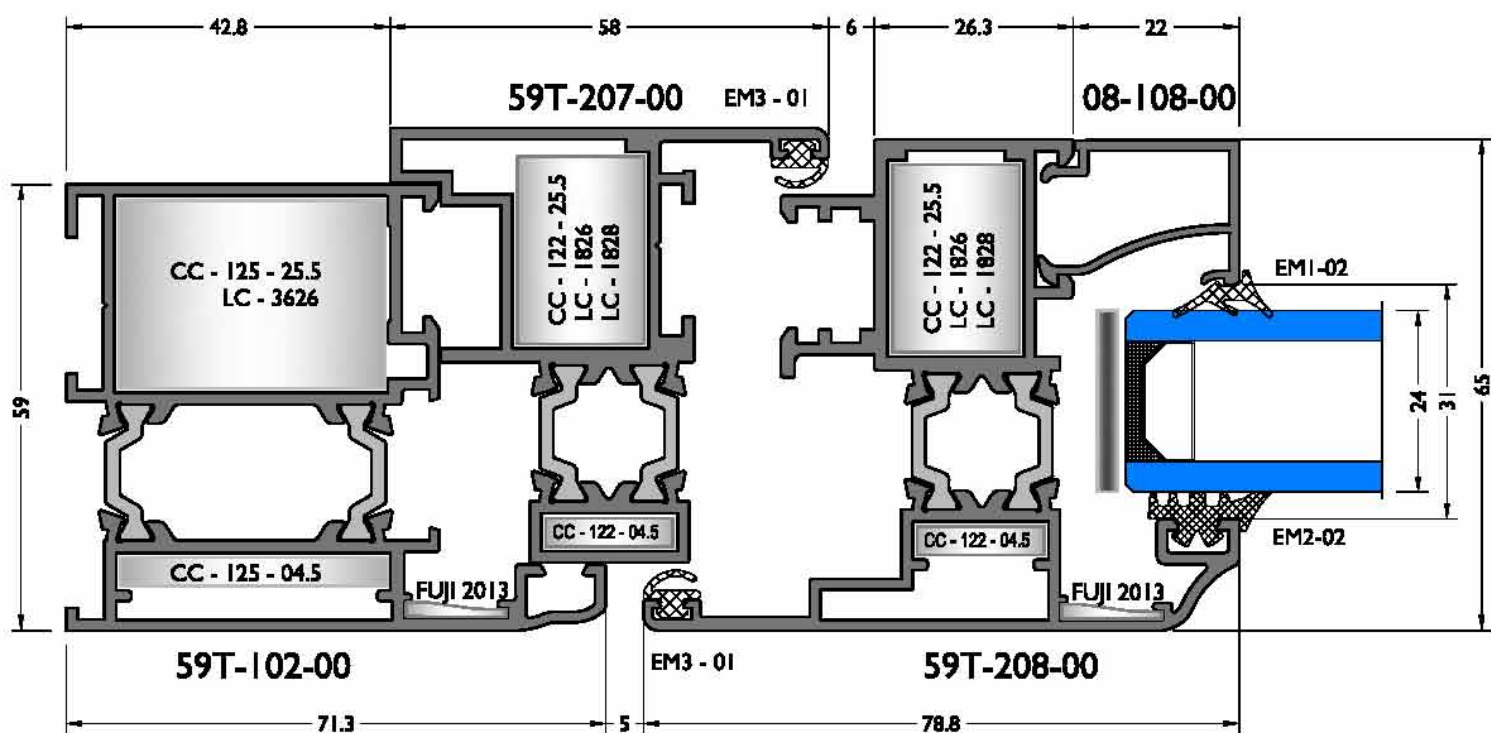
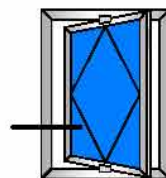


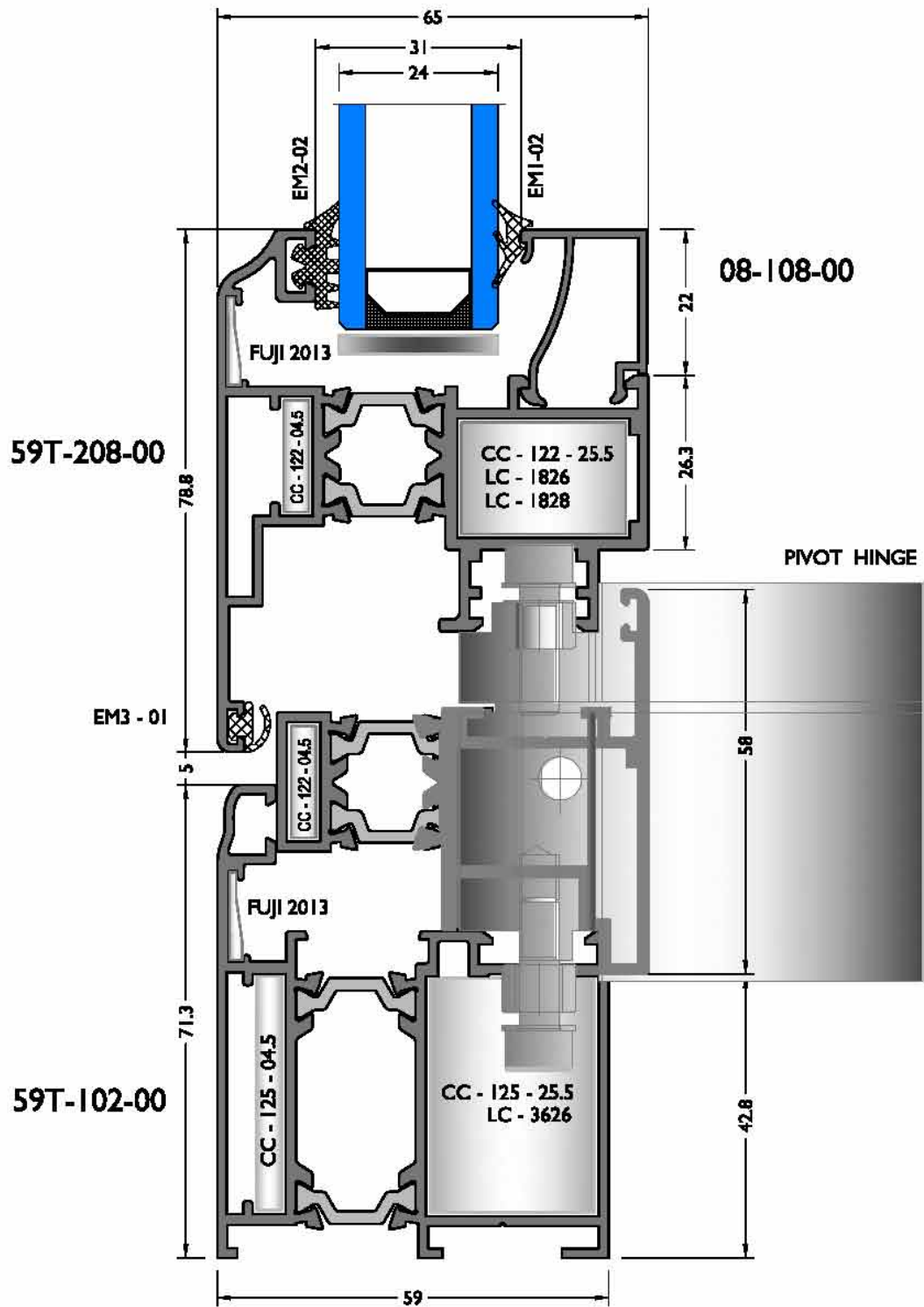
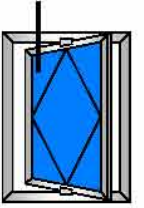


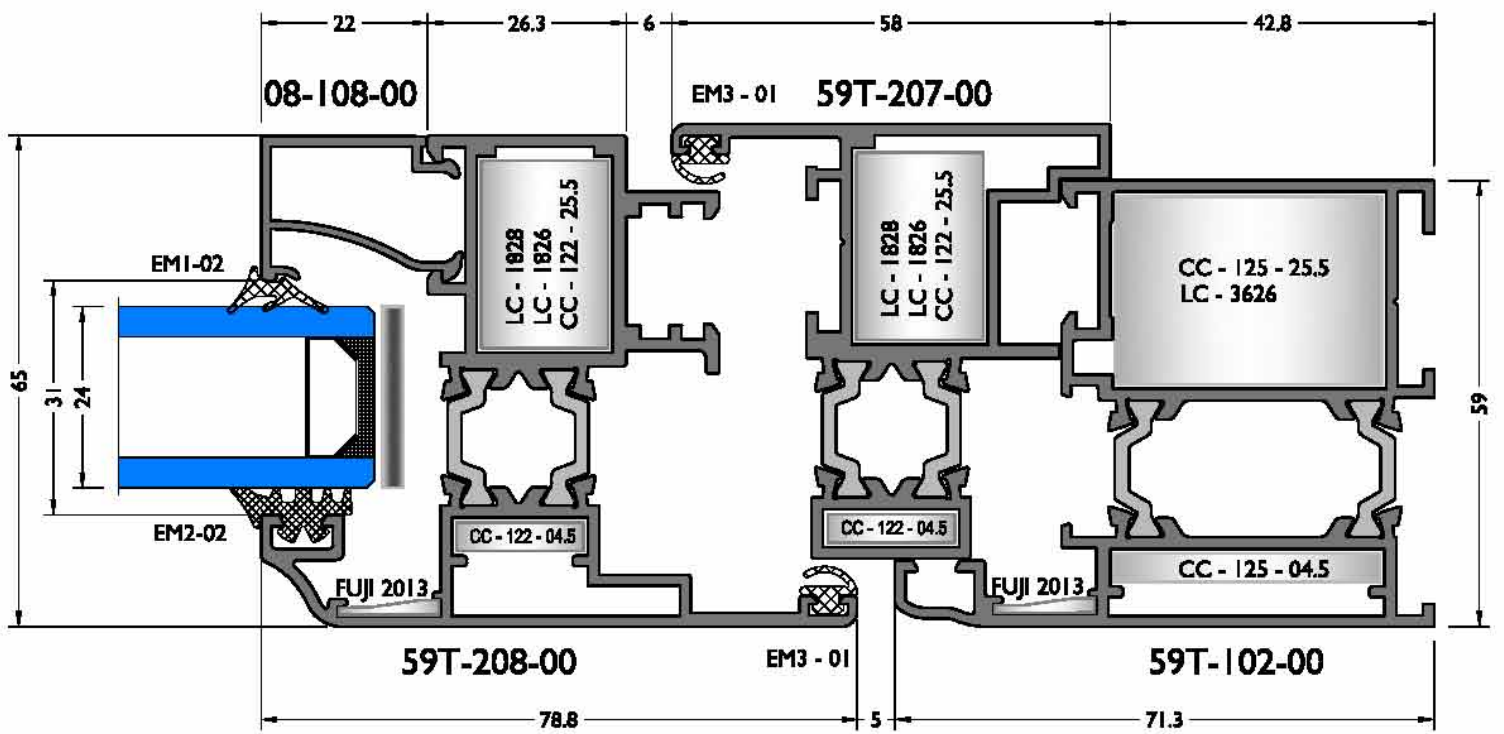
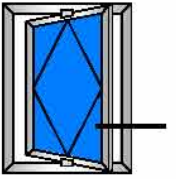


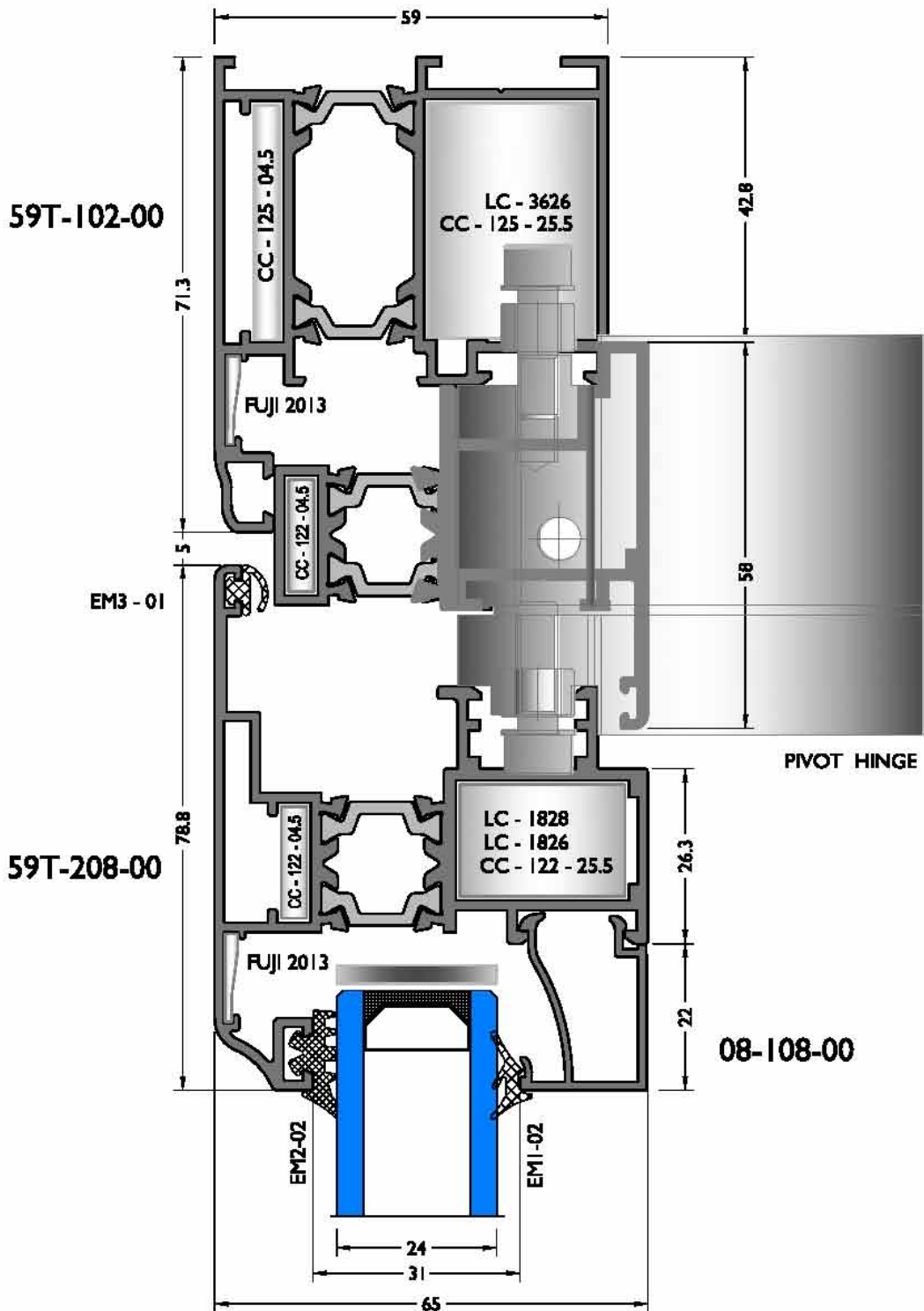
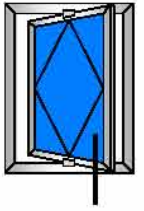




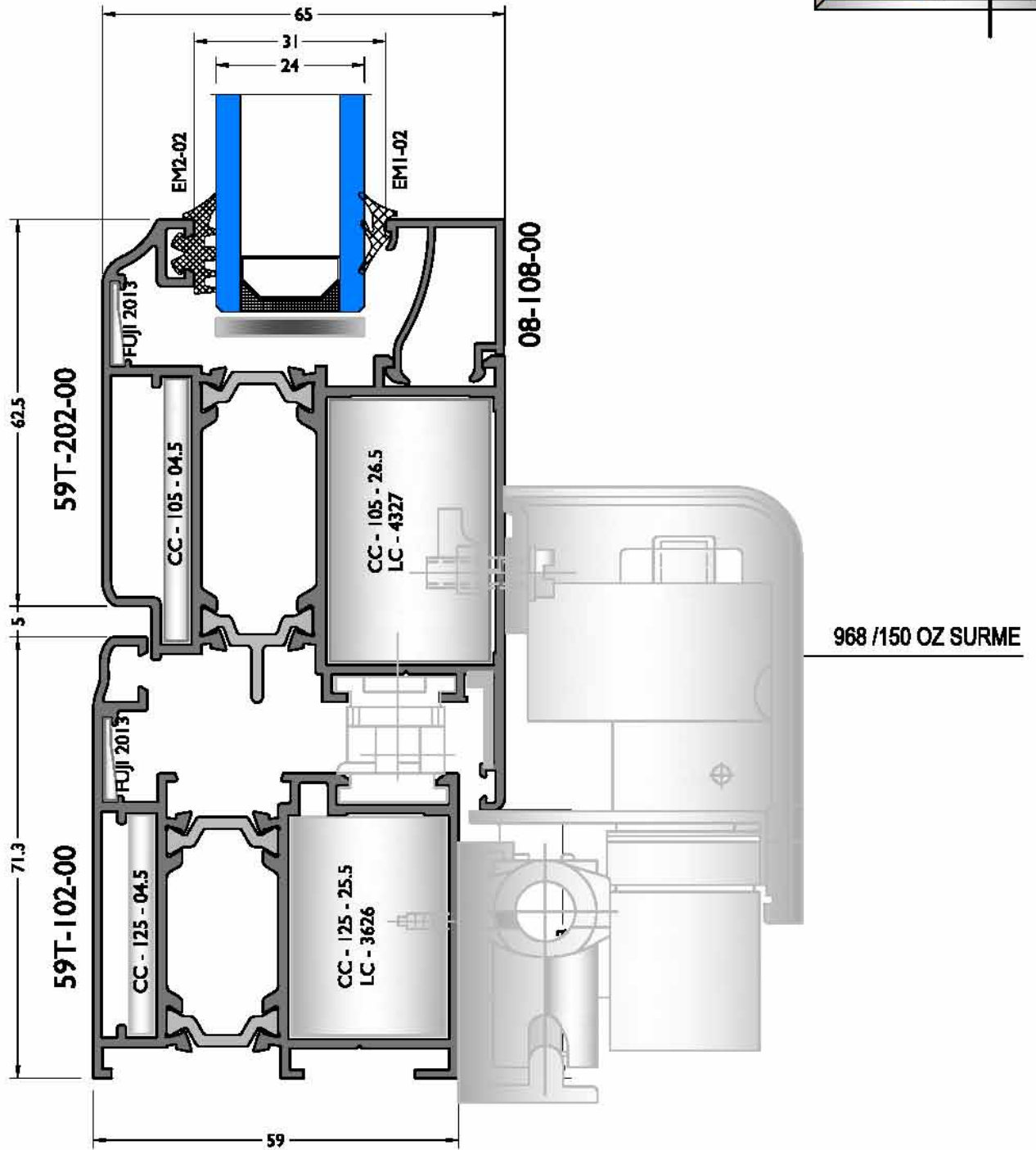
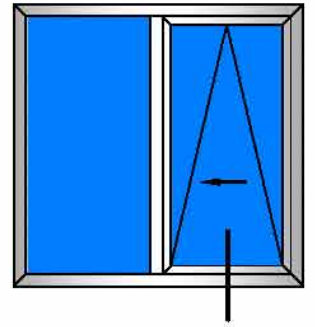




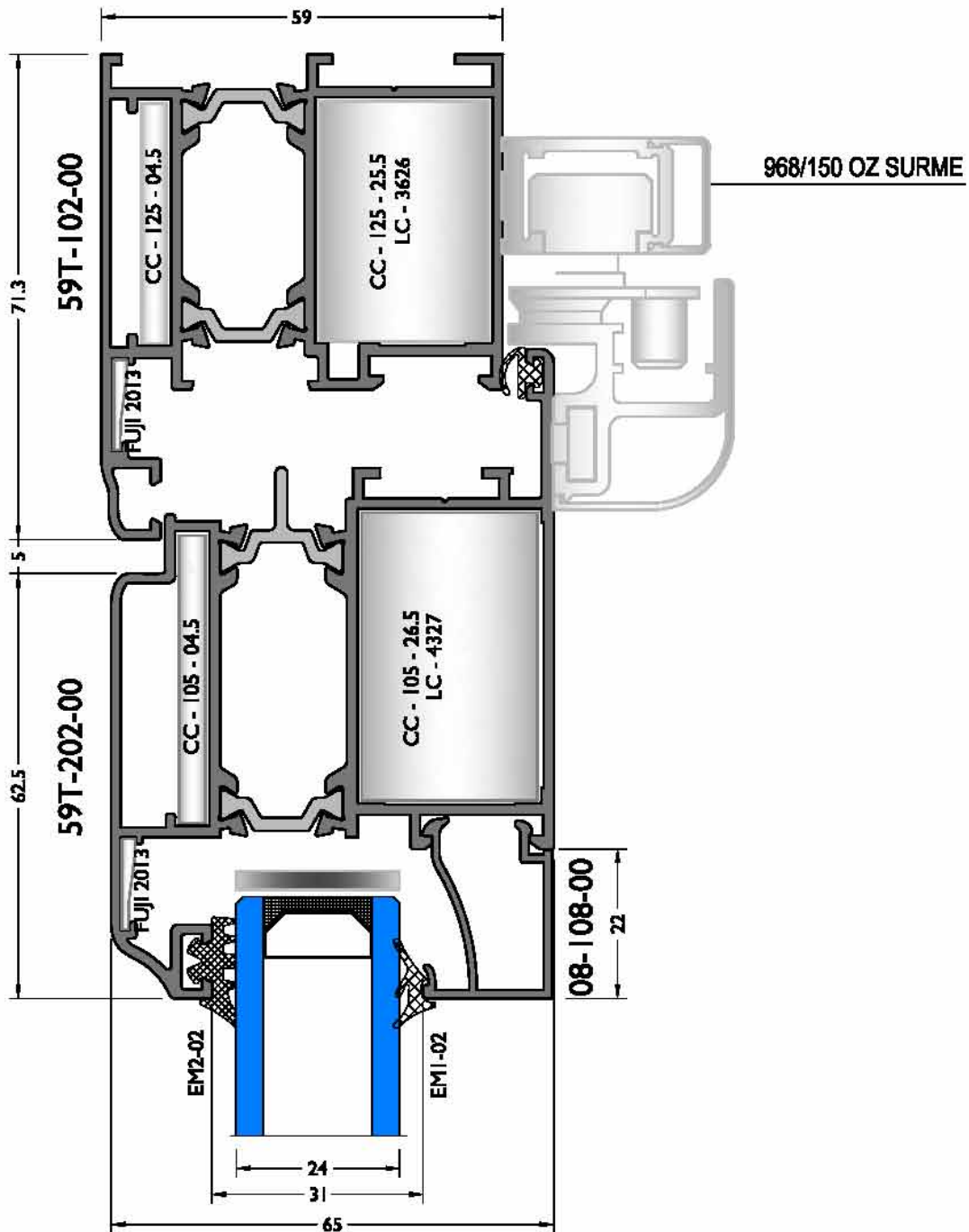
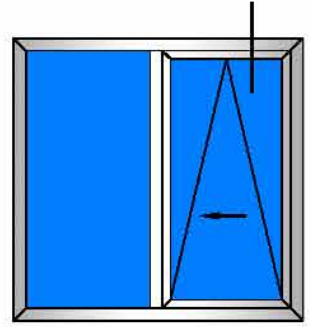




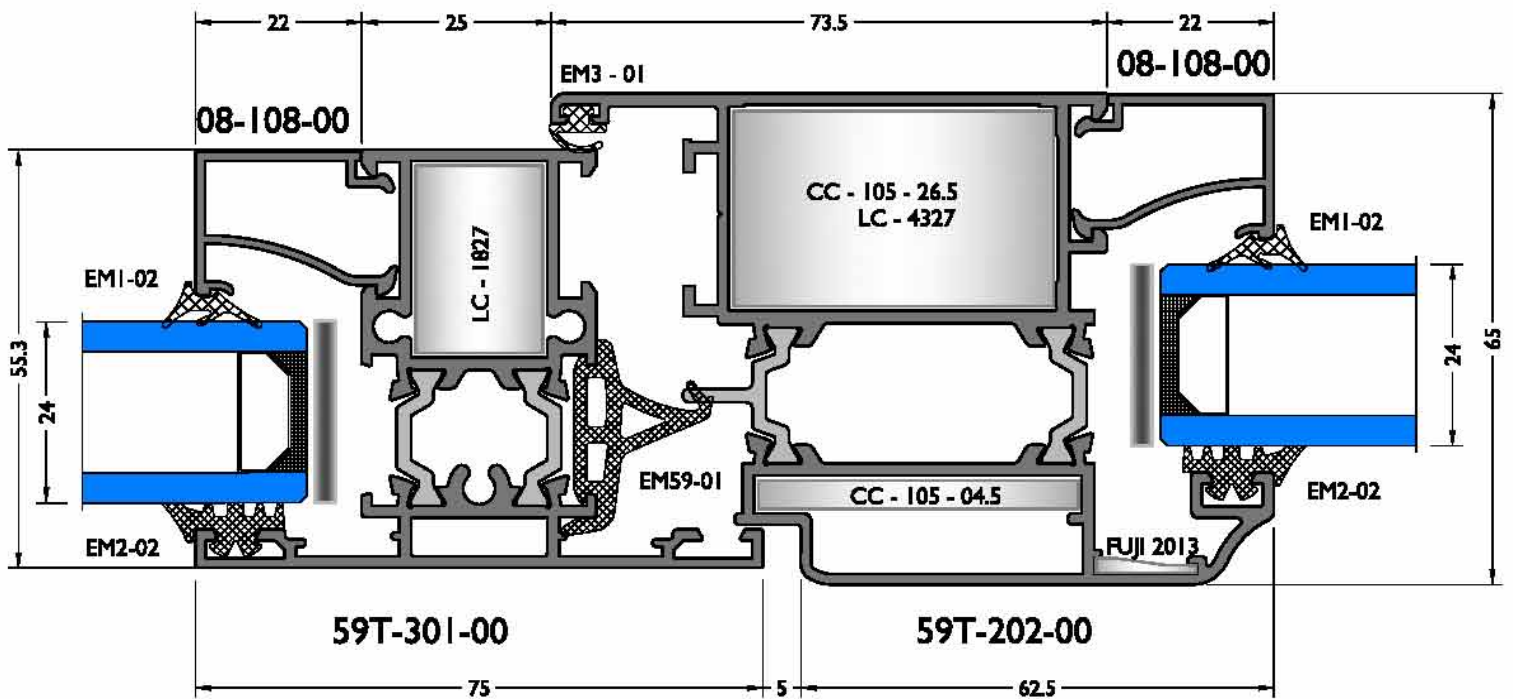
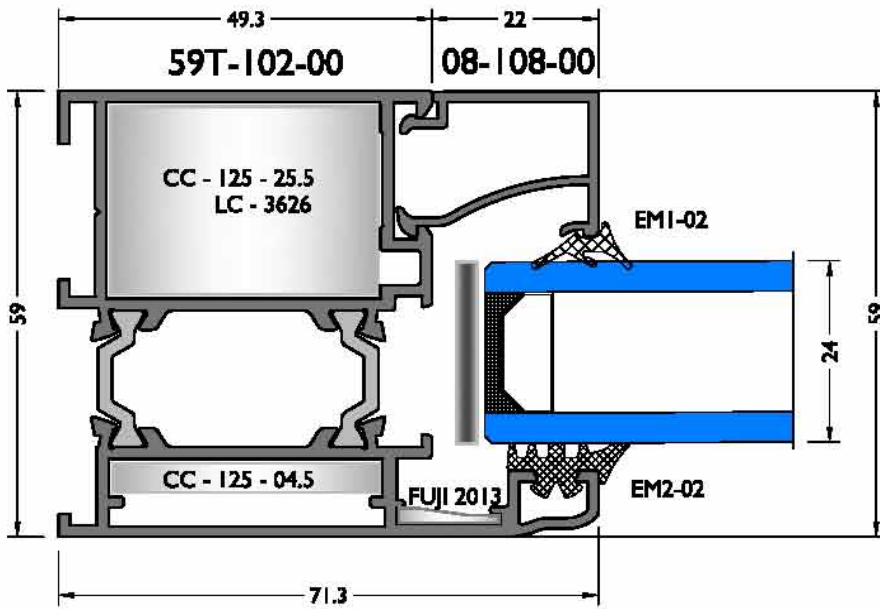
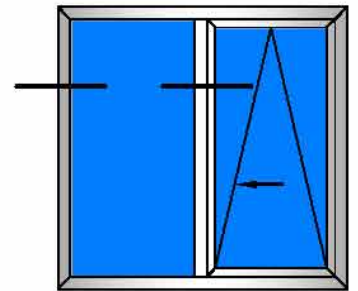
TILT & SLIDE



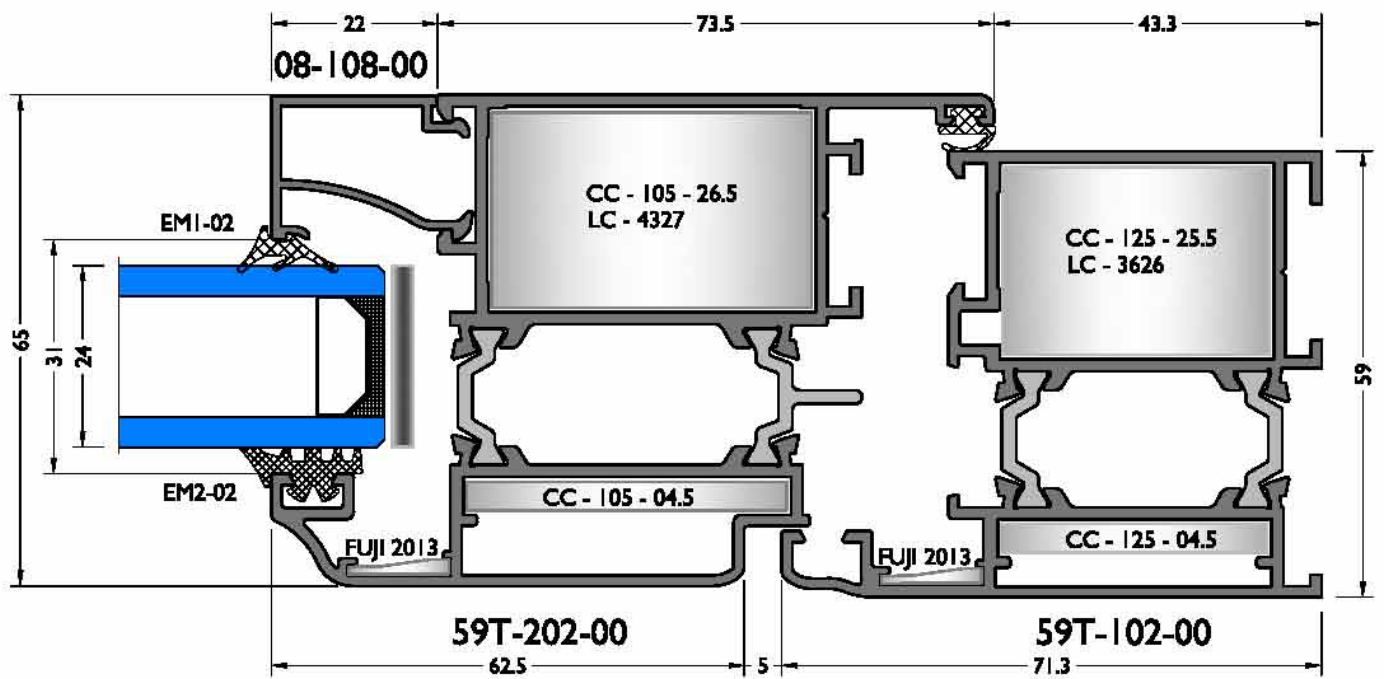
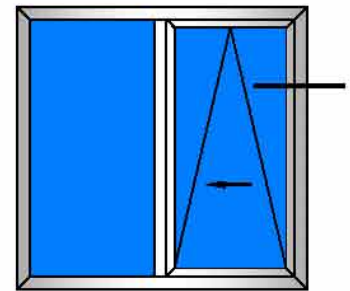
TILT & SLIDE



TILT & SLIDE

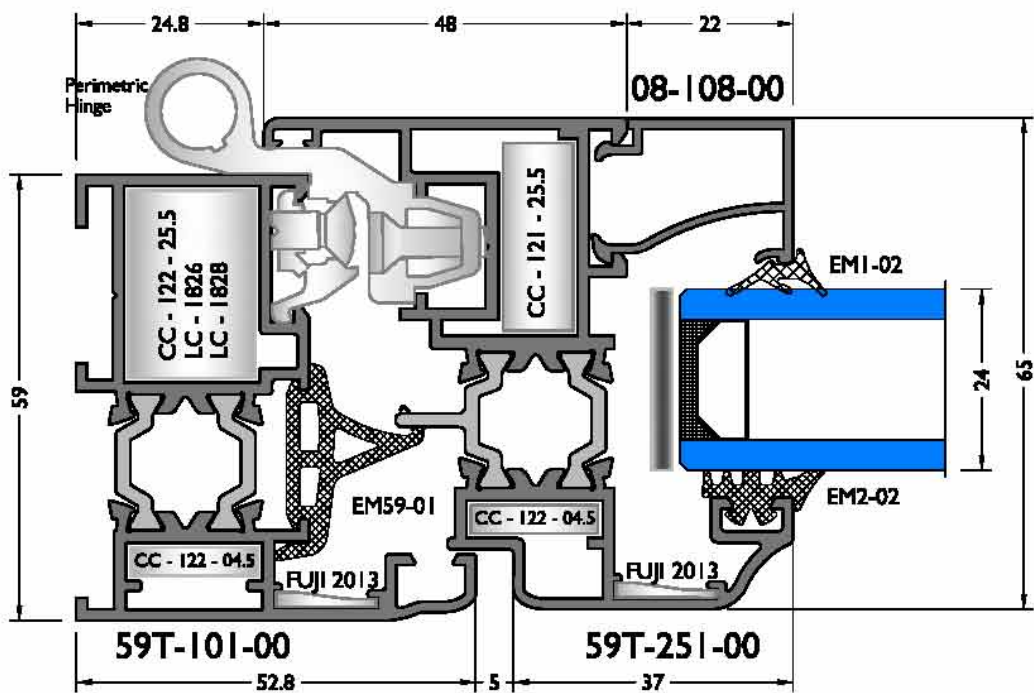
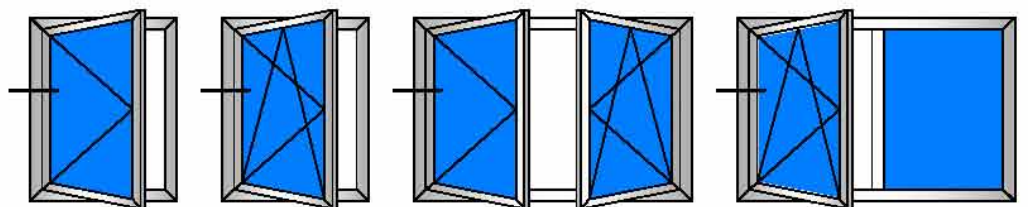
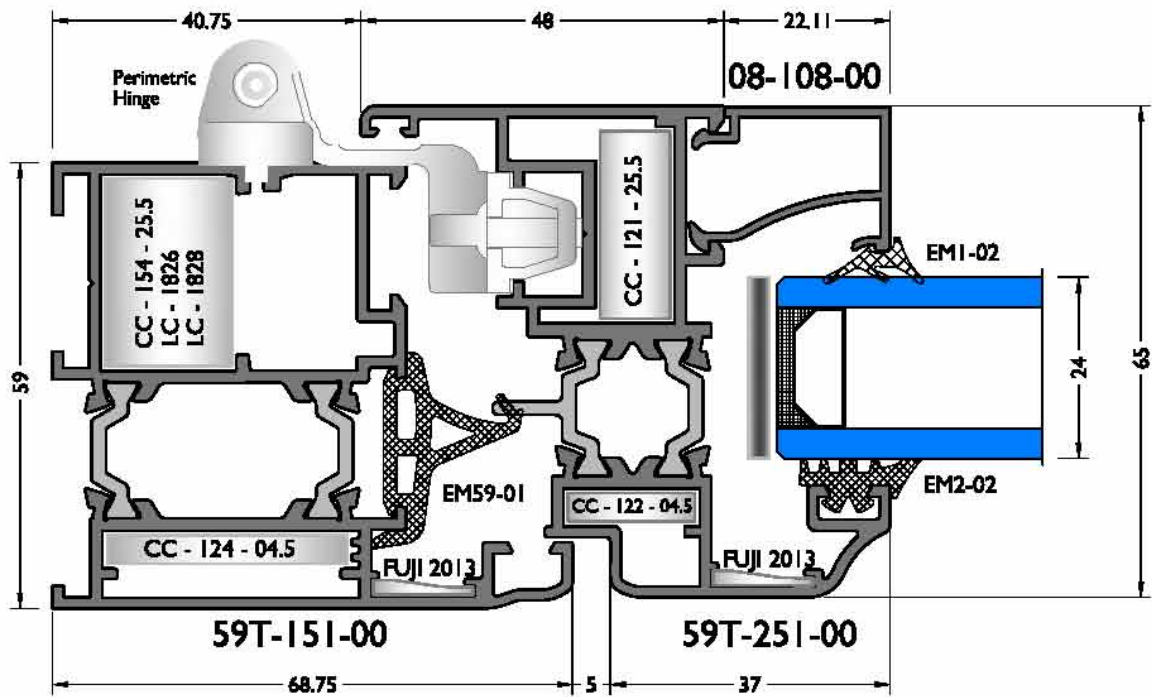
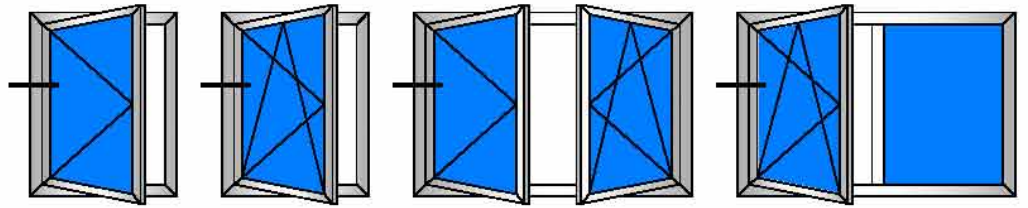


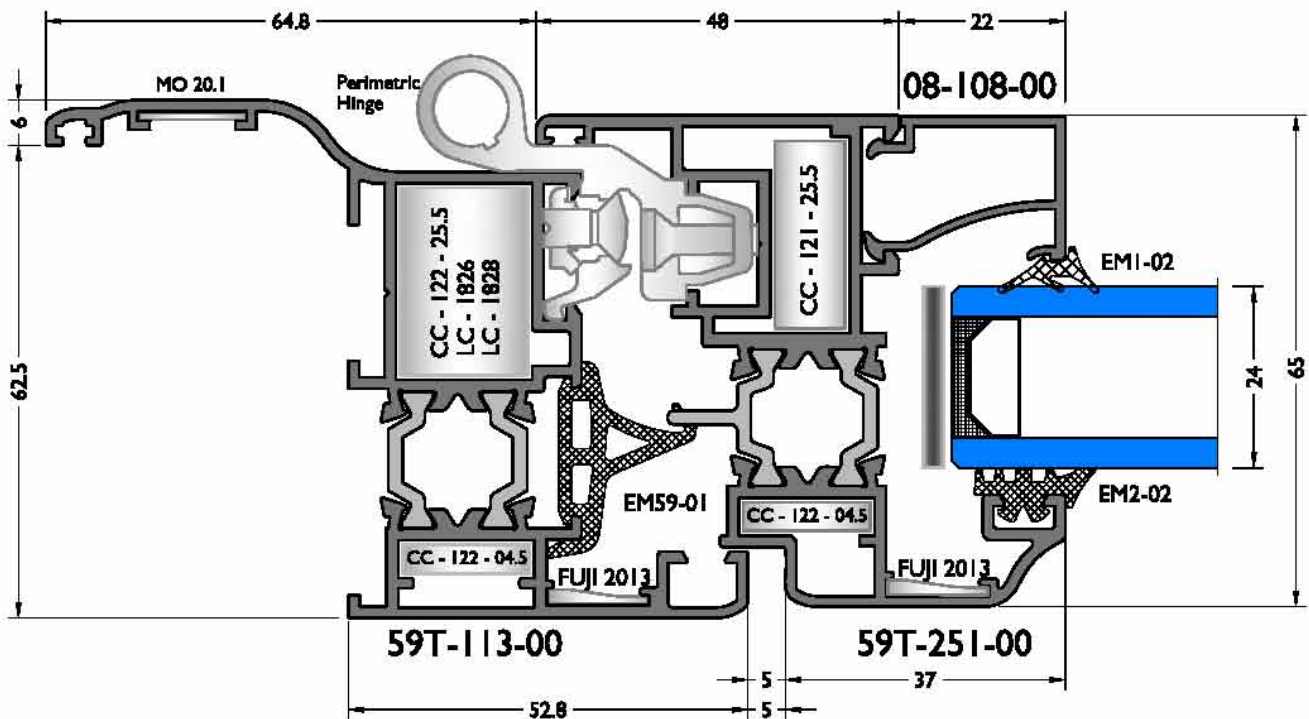
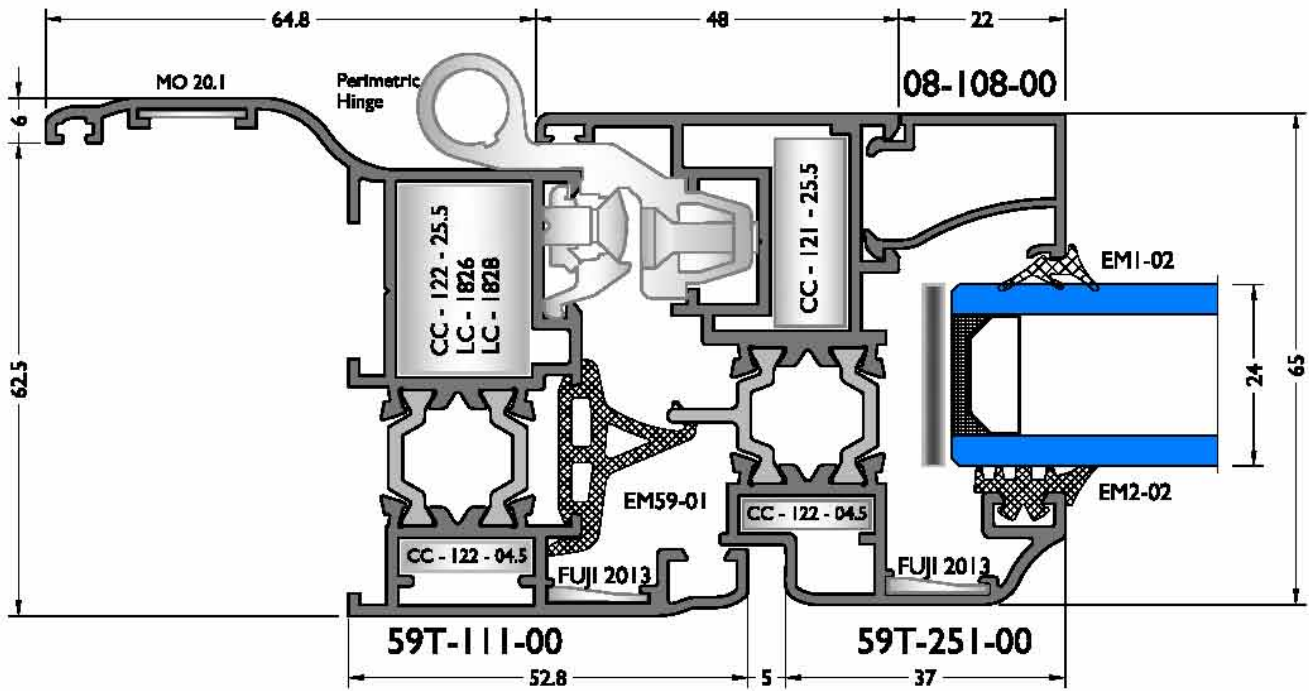
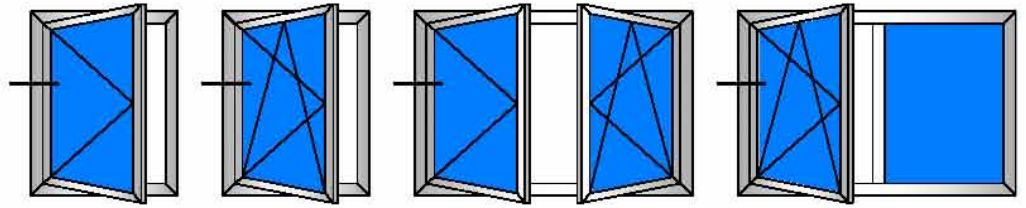
TILT & SLIDE

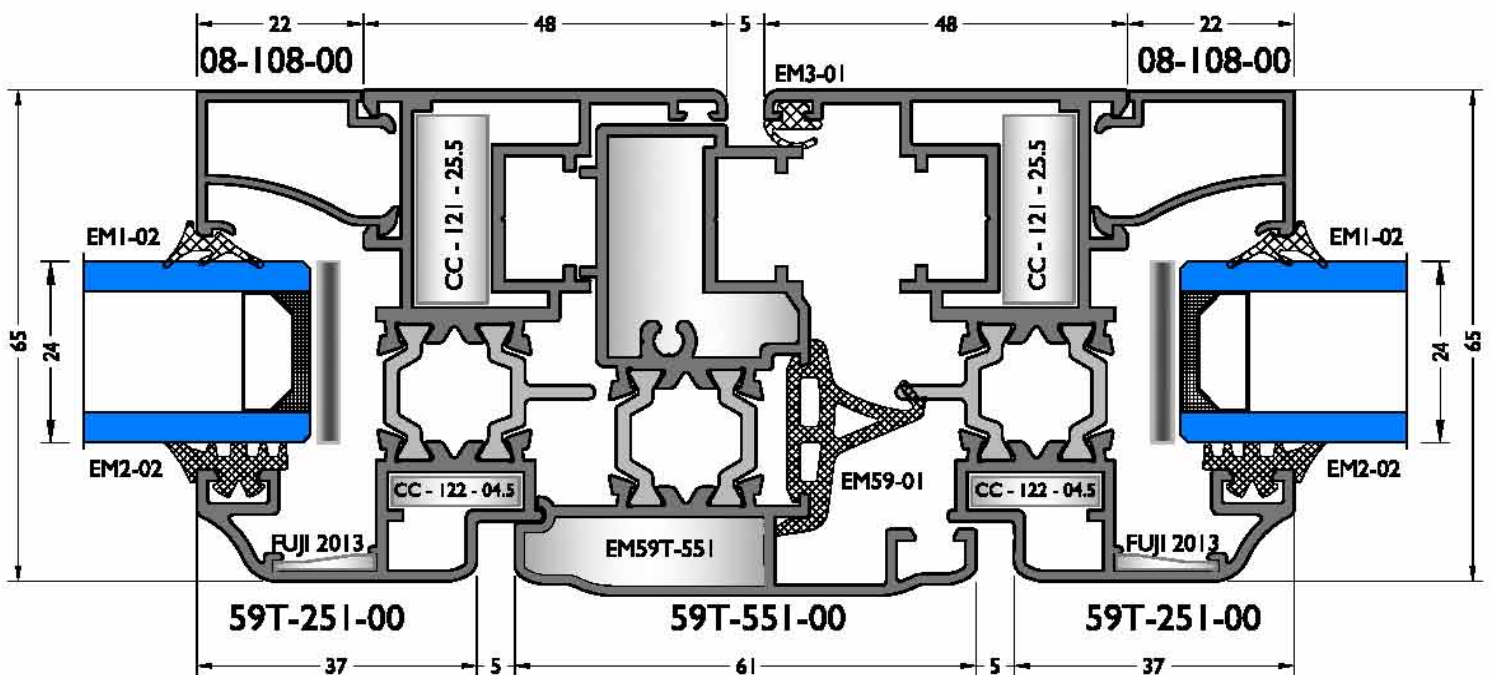
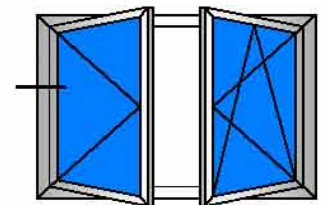
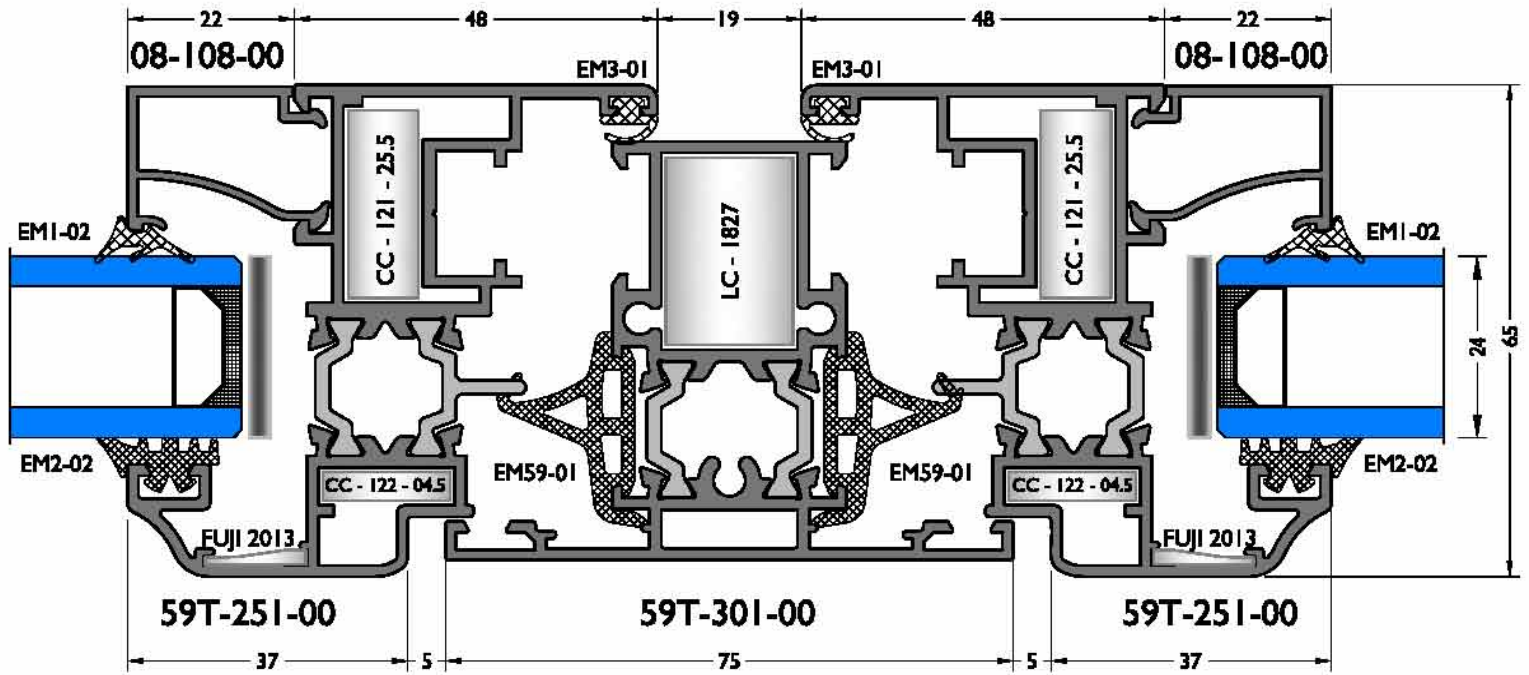
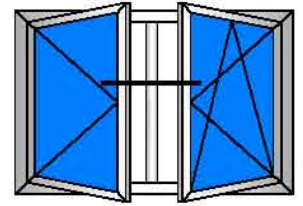


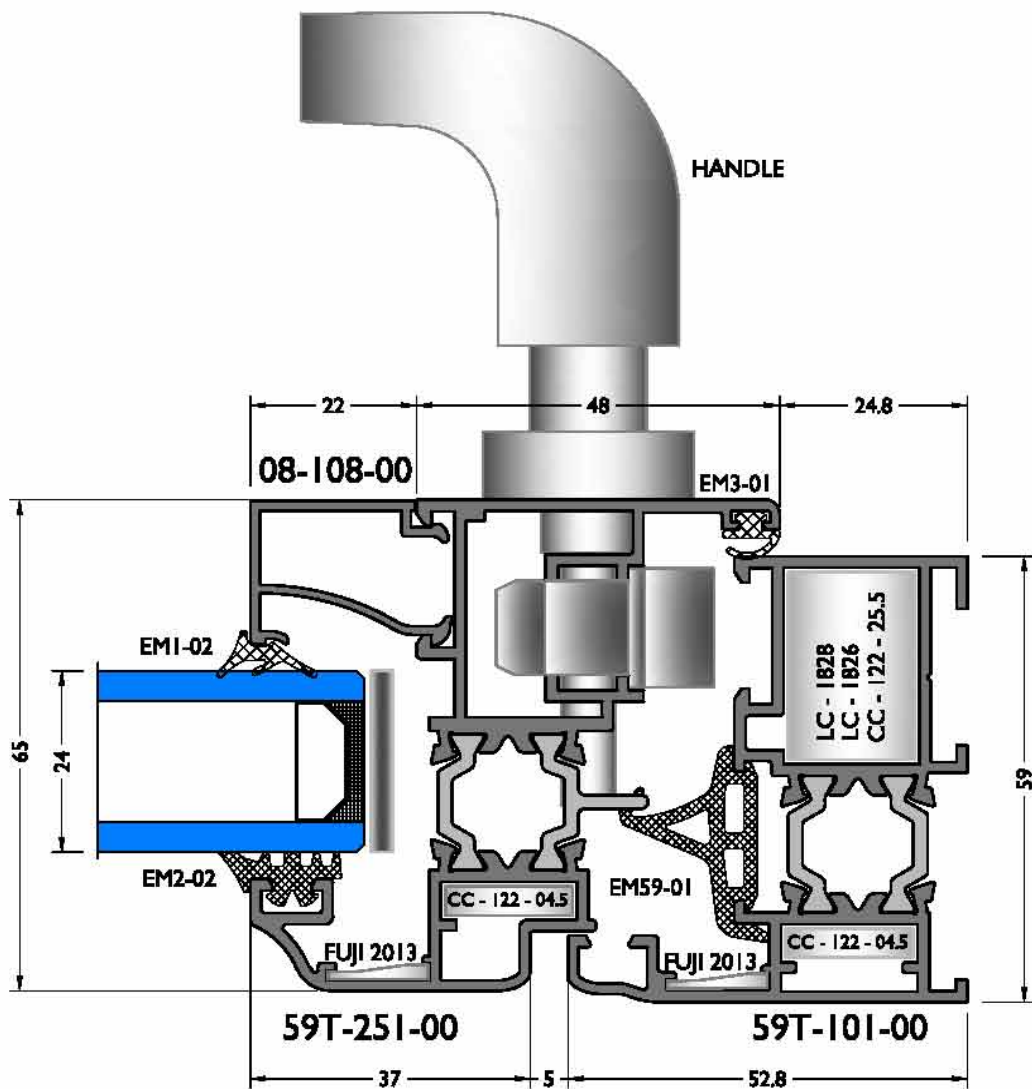
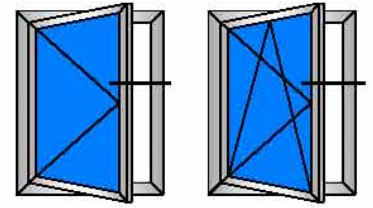
PERIMETRIC

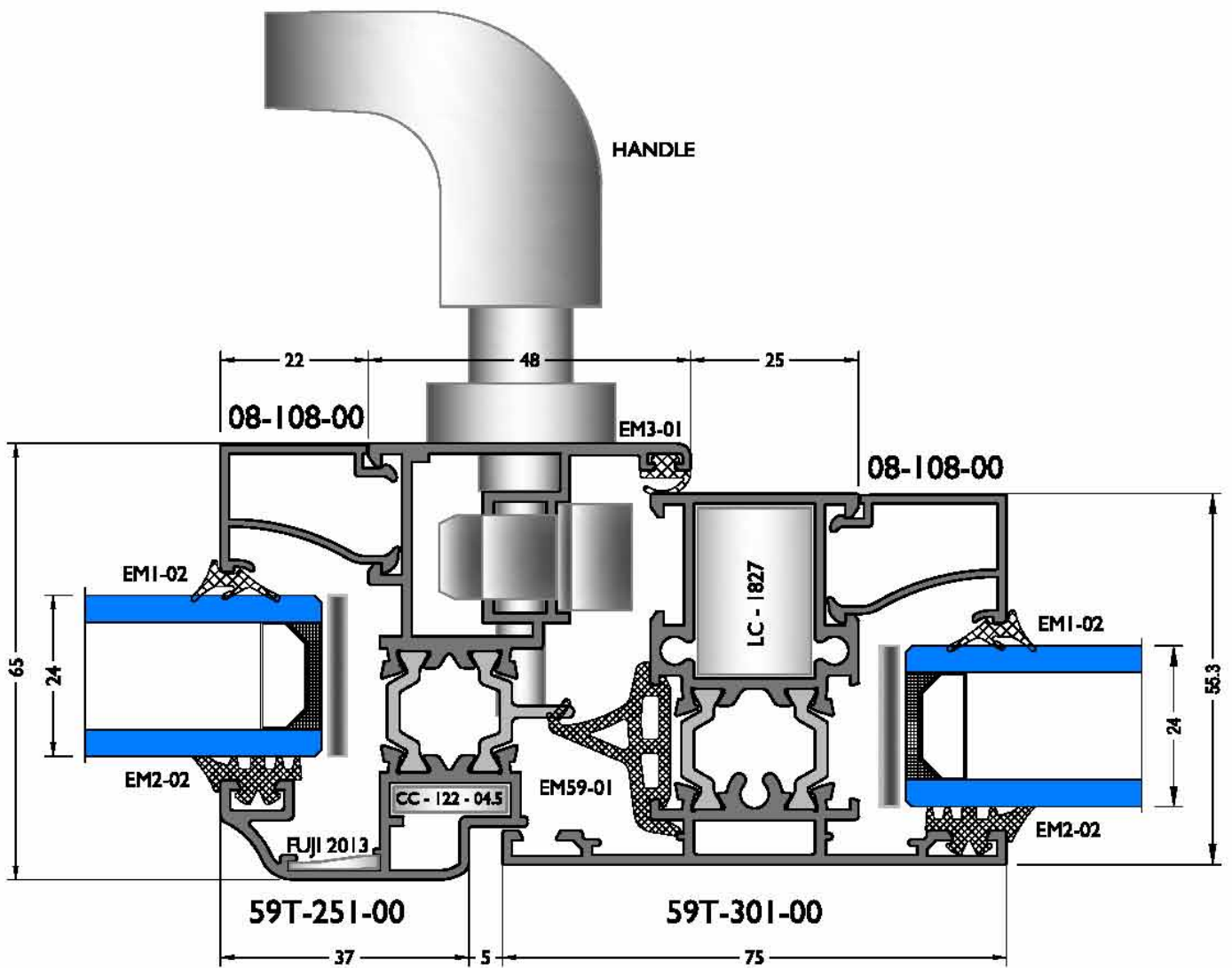
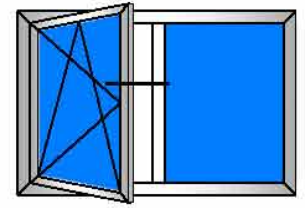
b - DETAILS

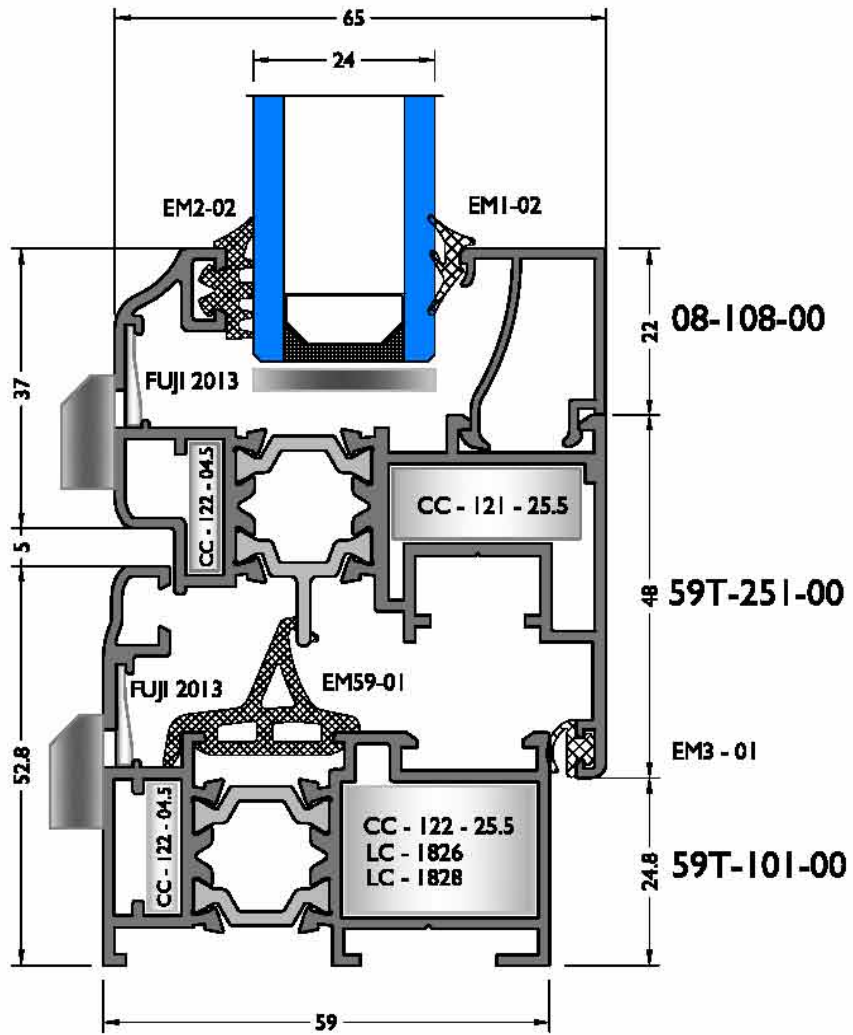
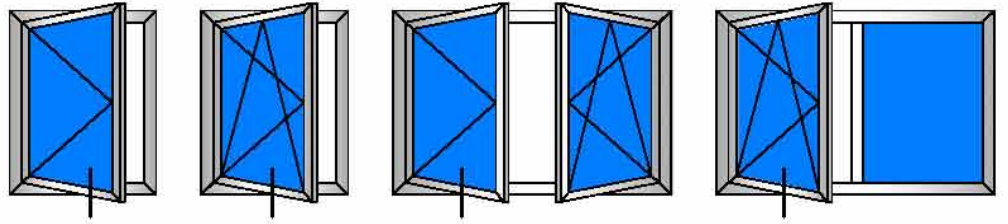


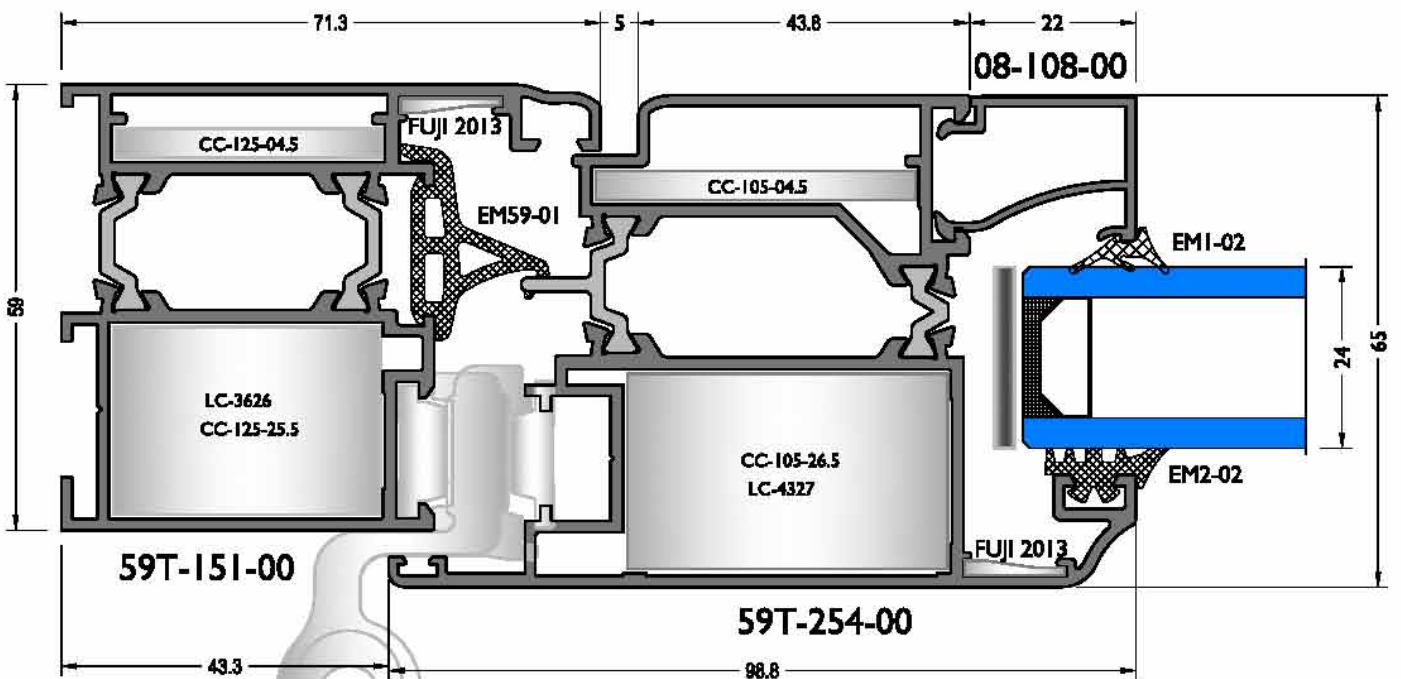
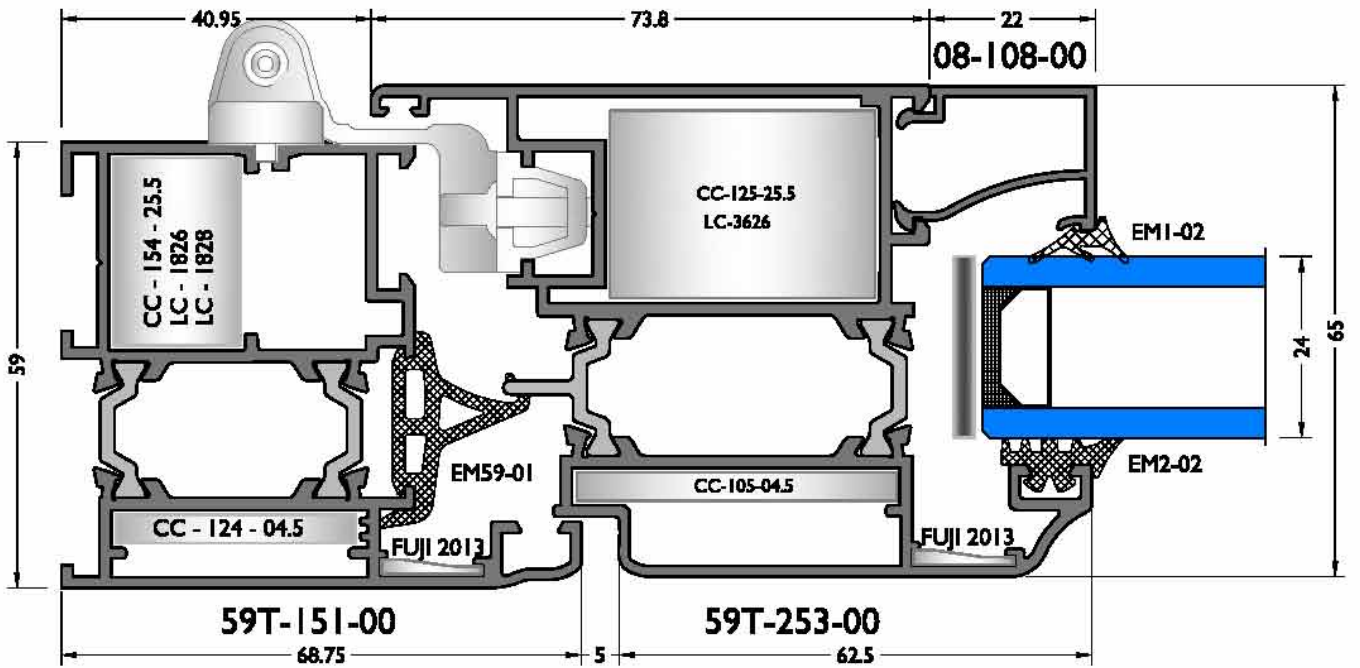
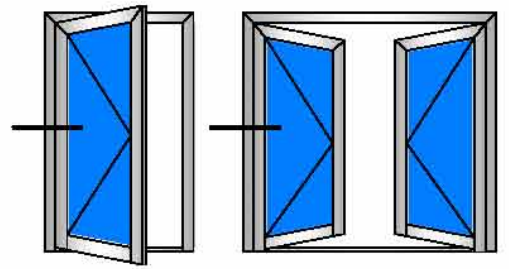


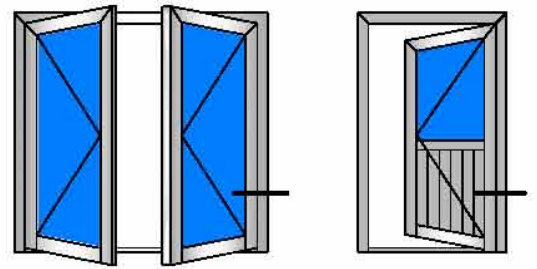




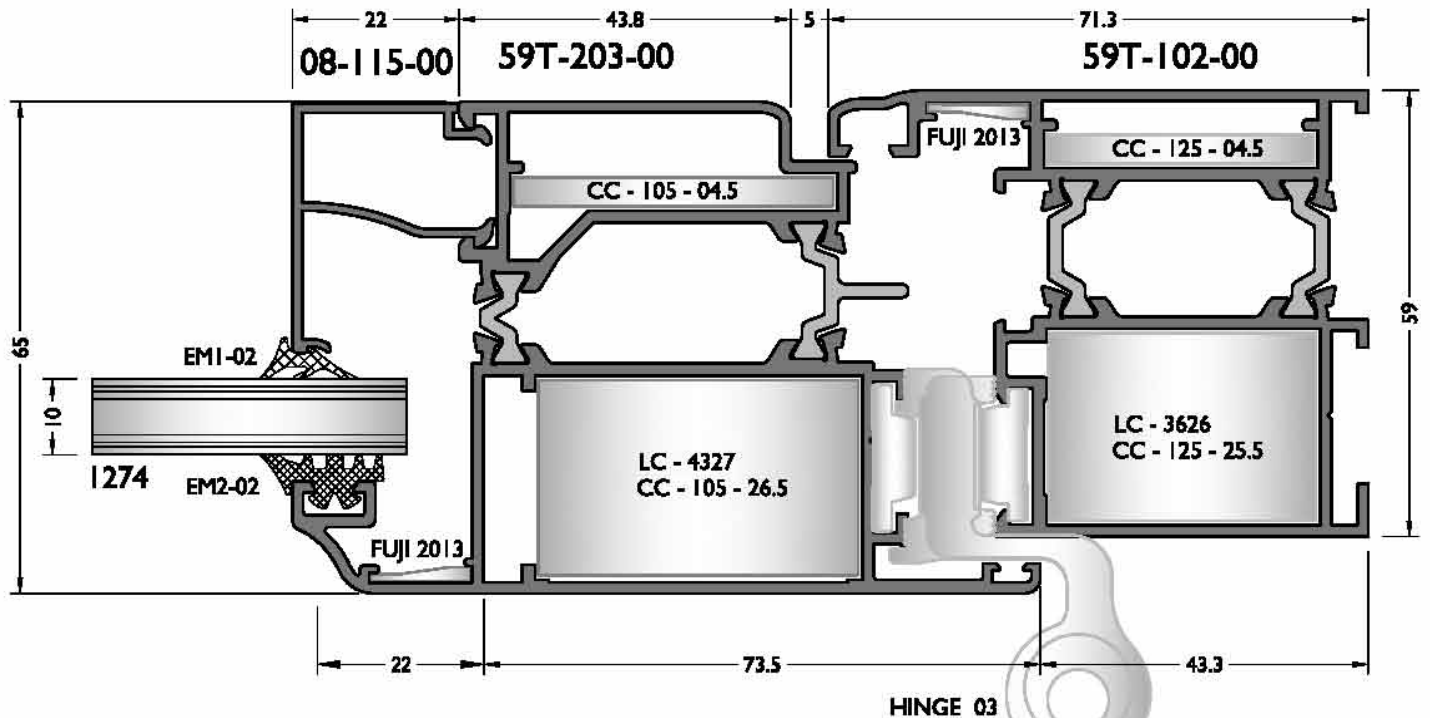
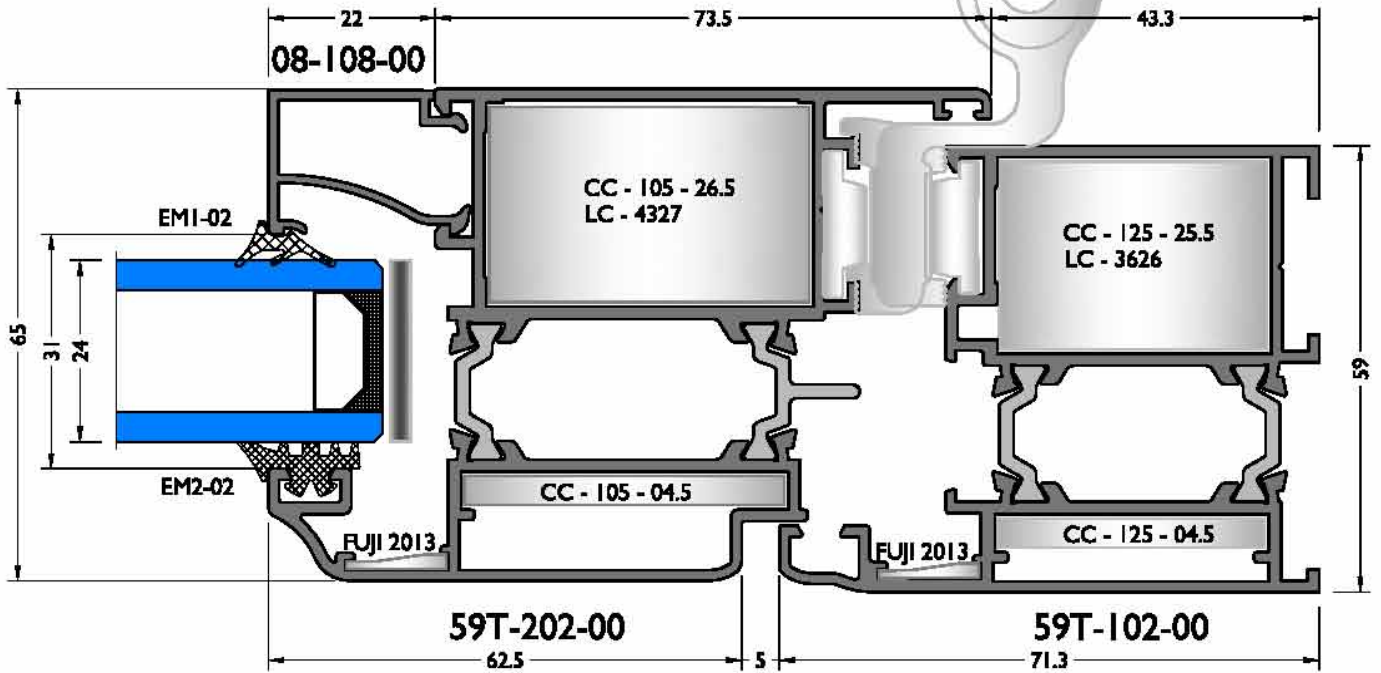


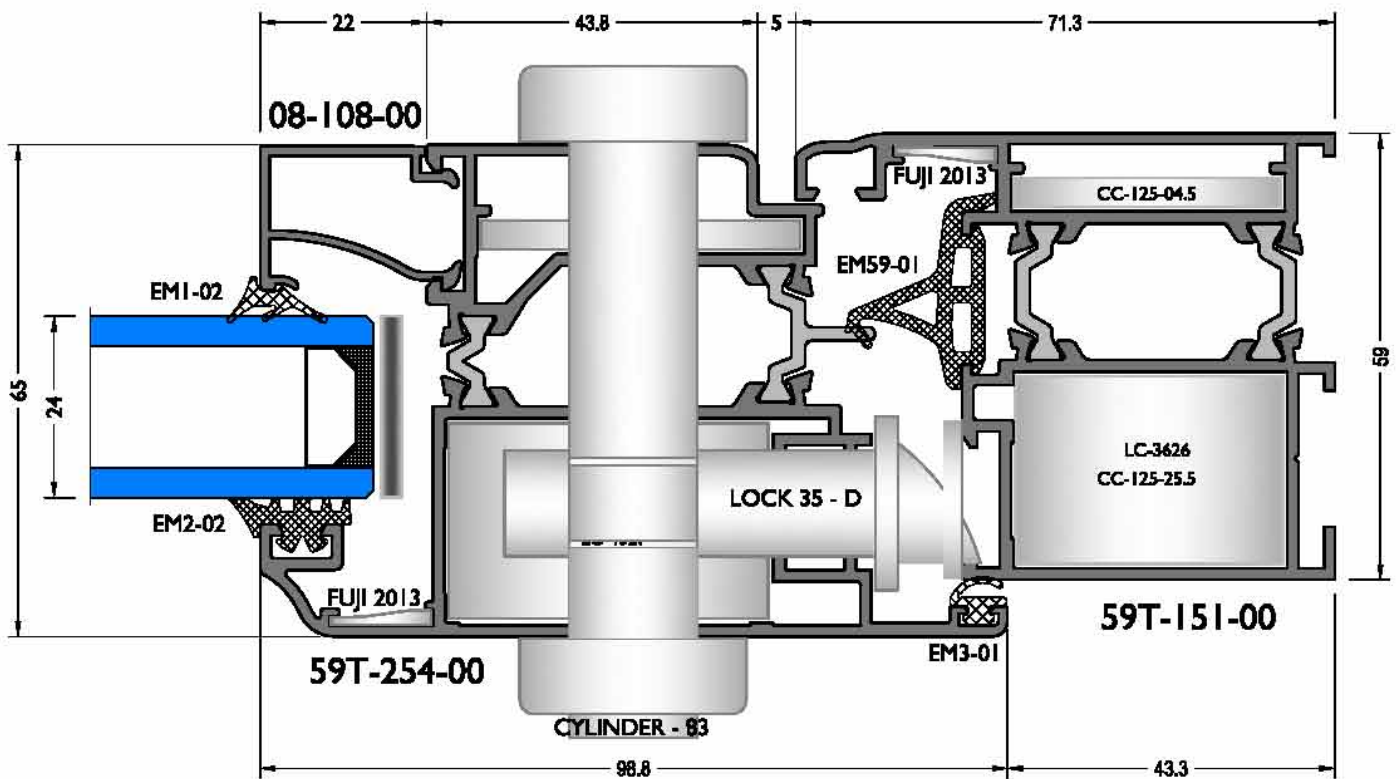
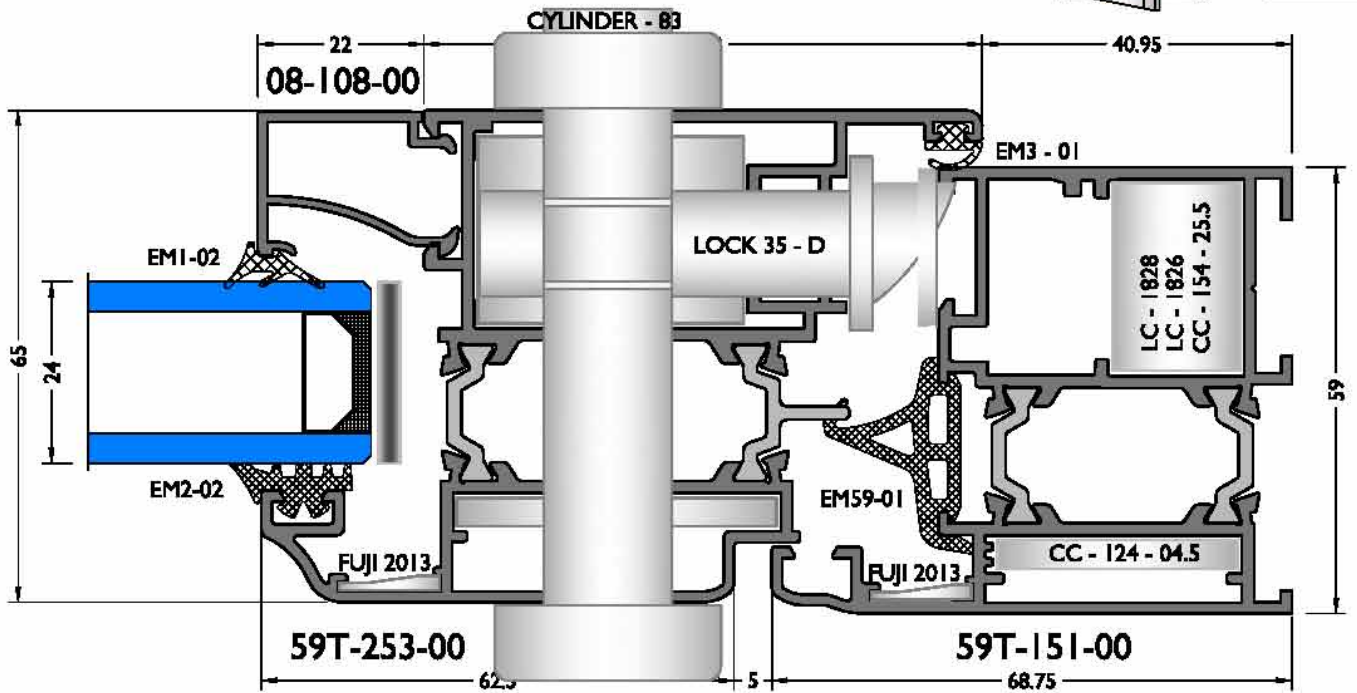
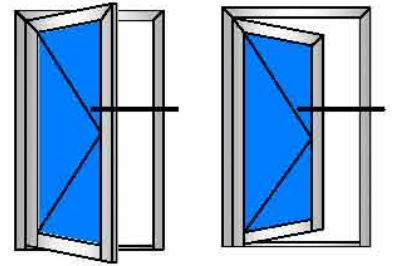


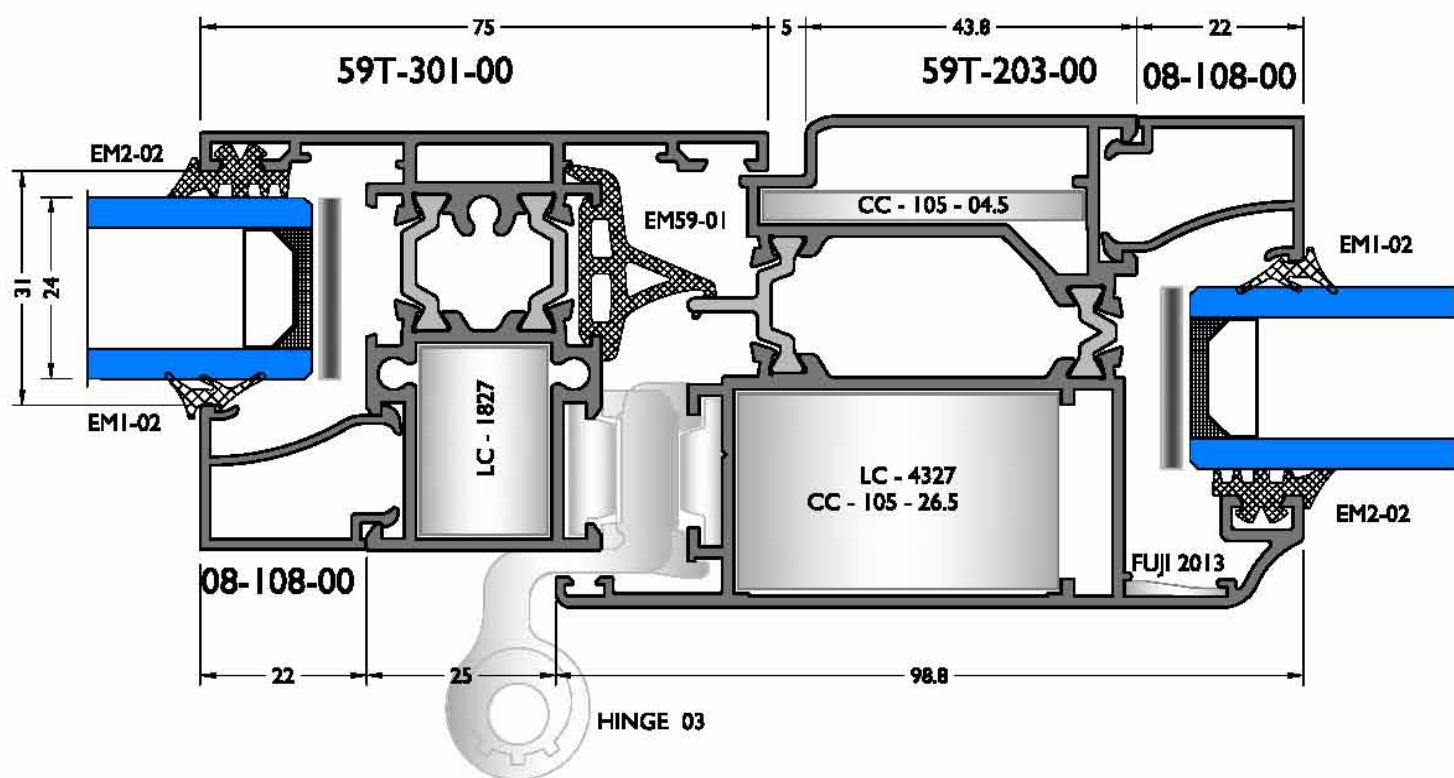
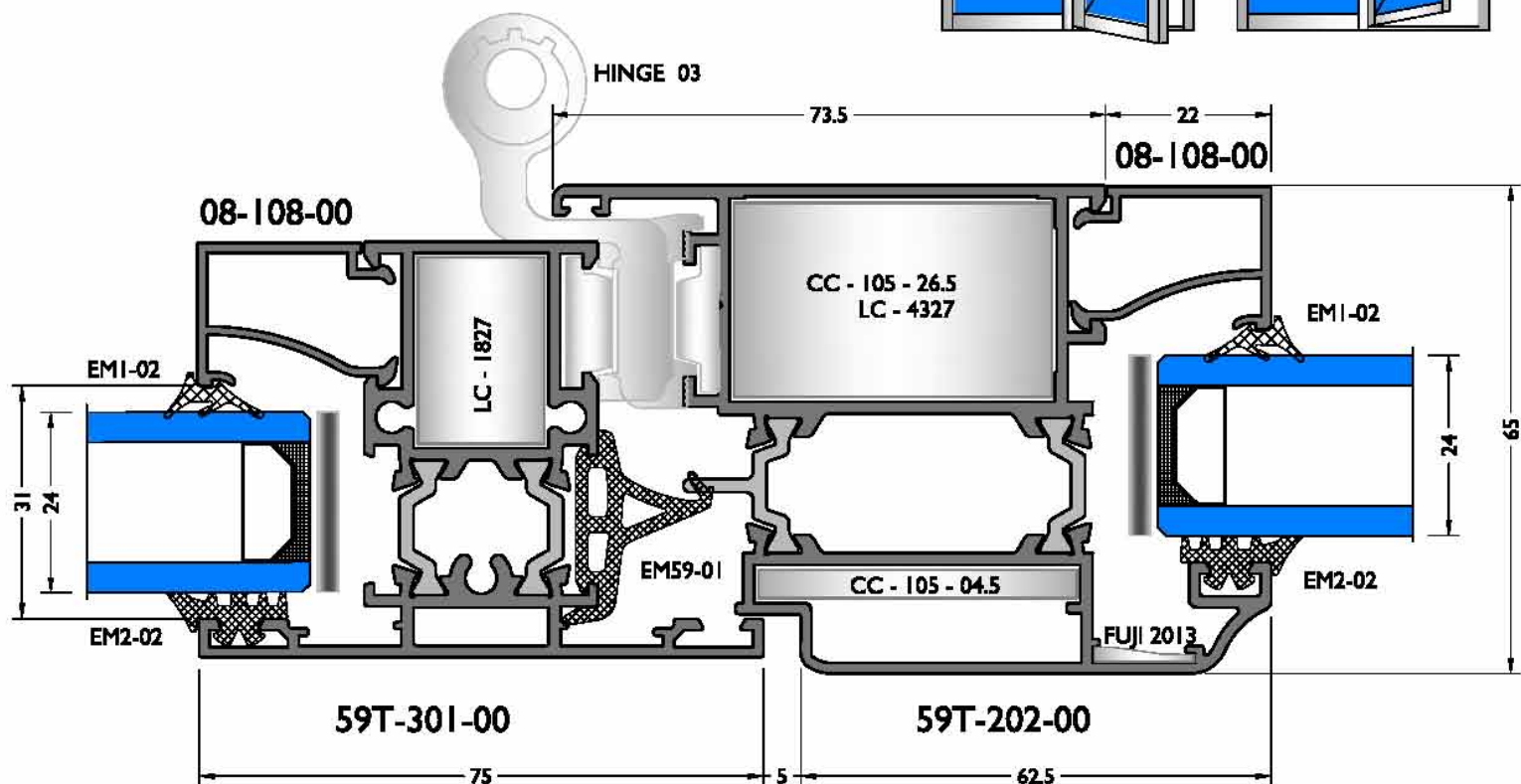
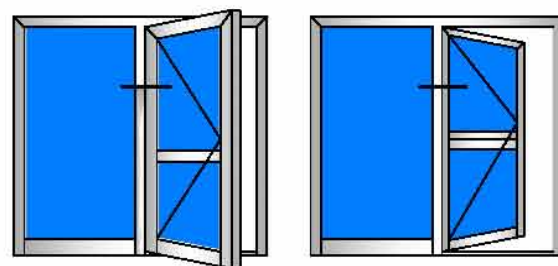


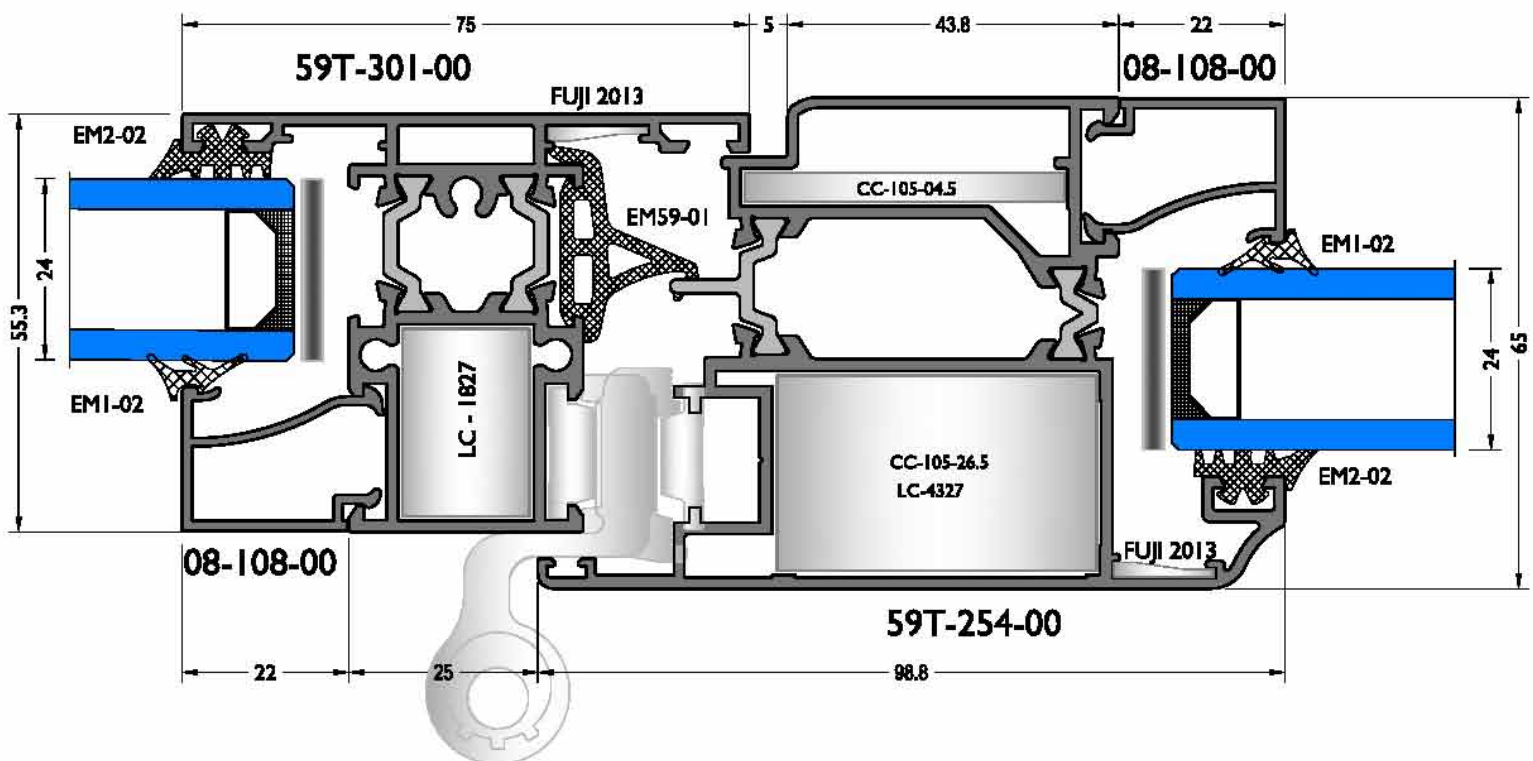
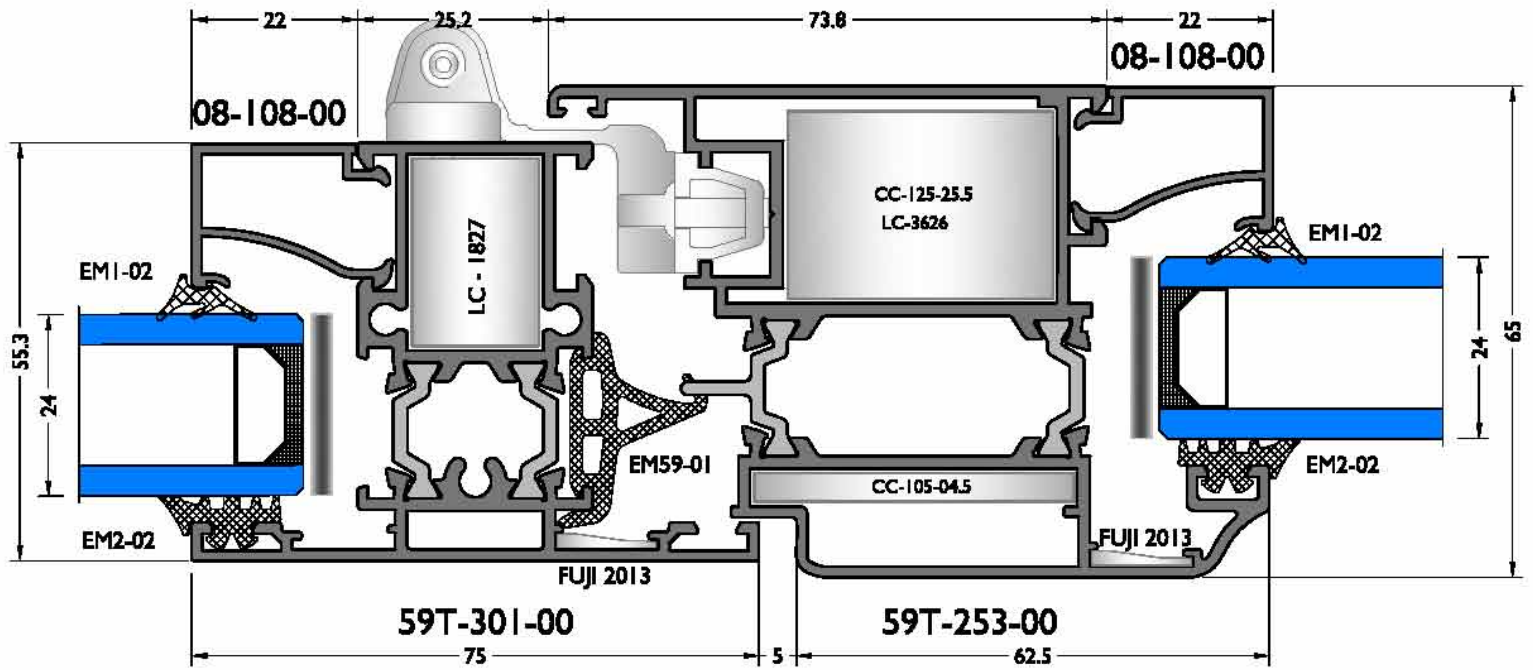
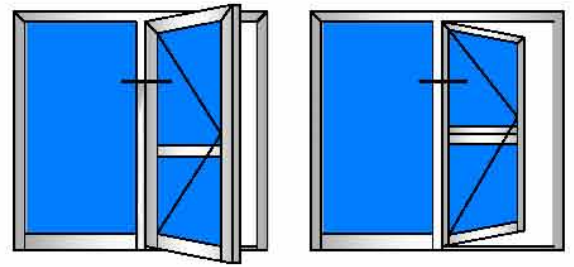


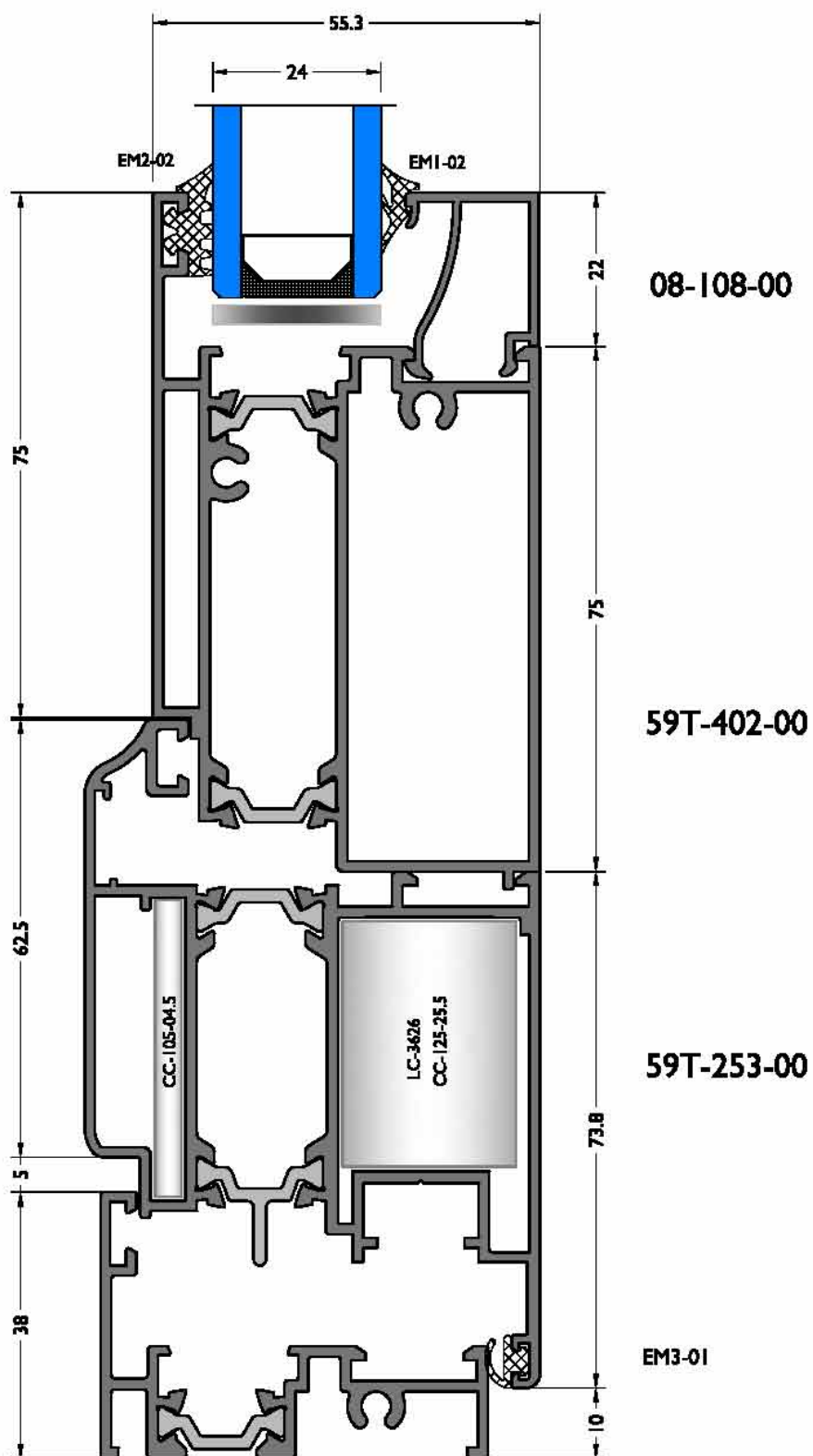
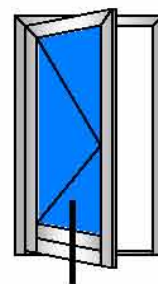
HINGE 03

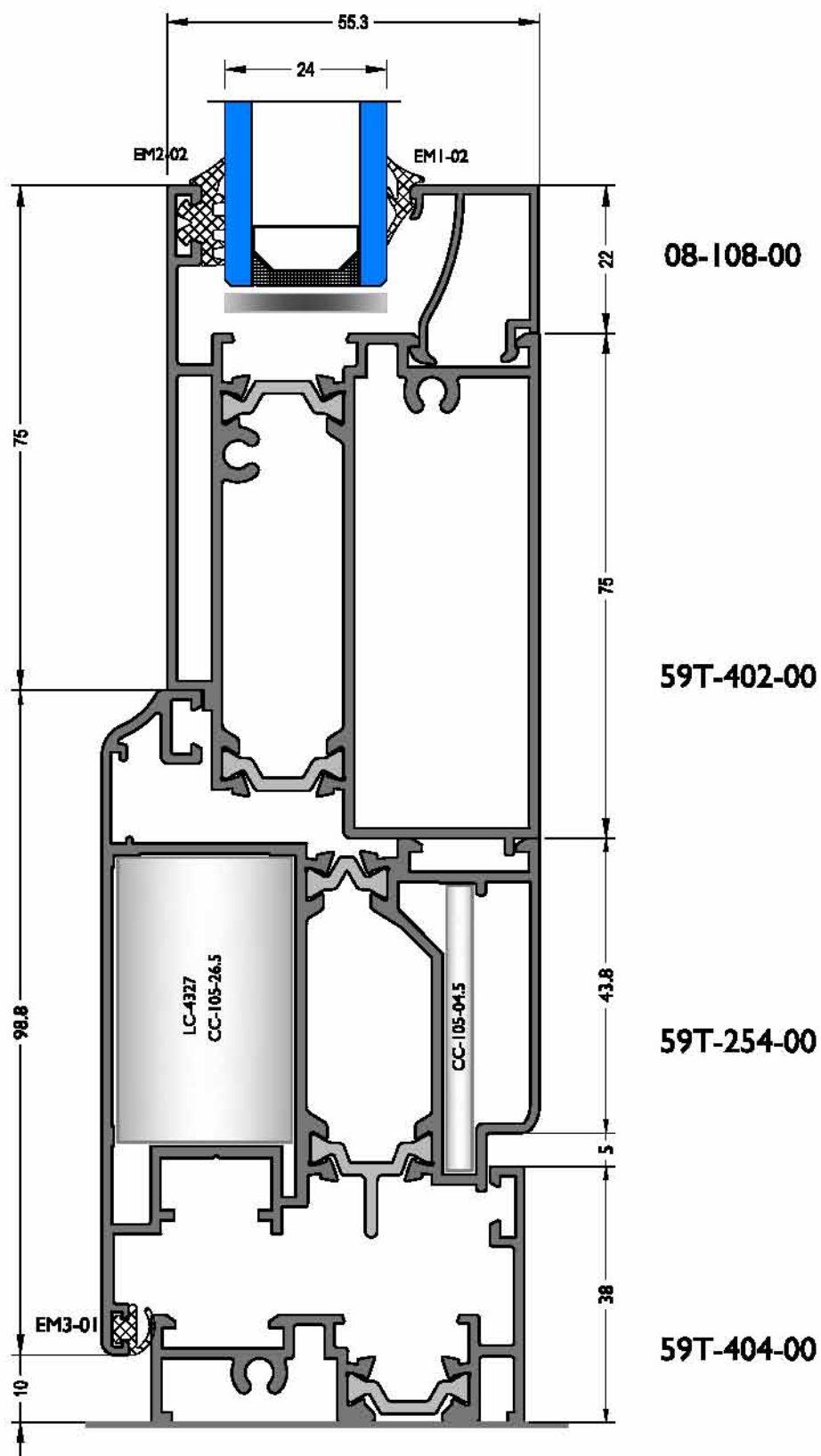
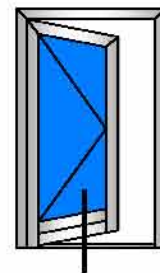


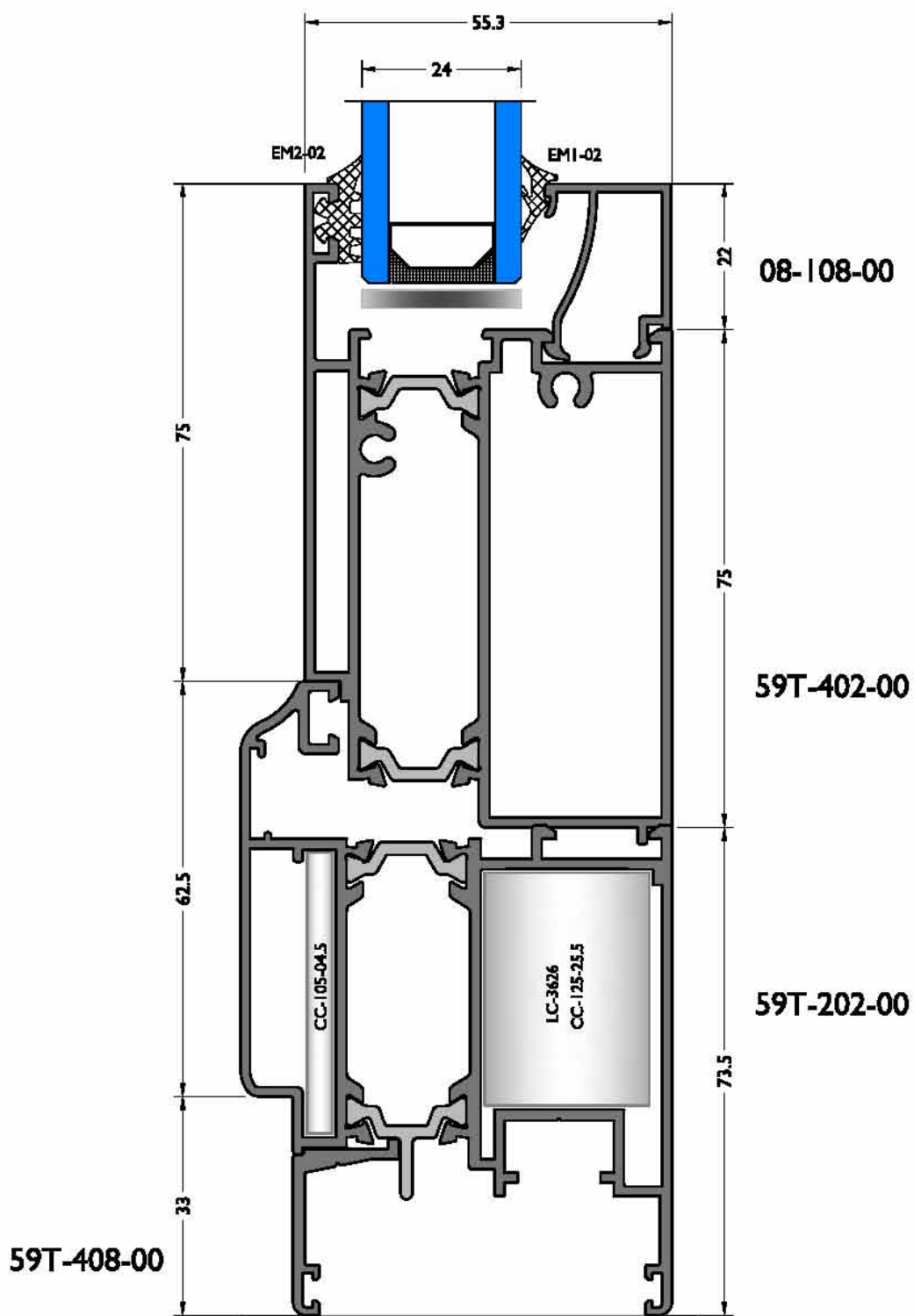
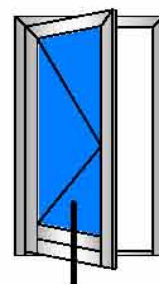


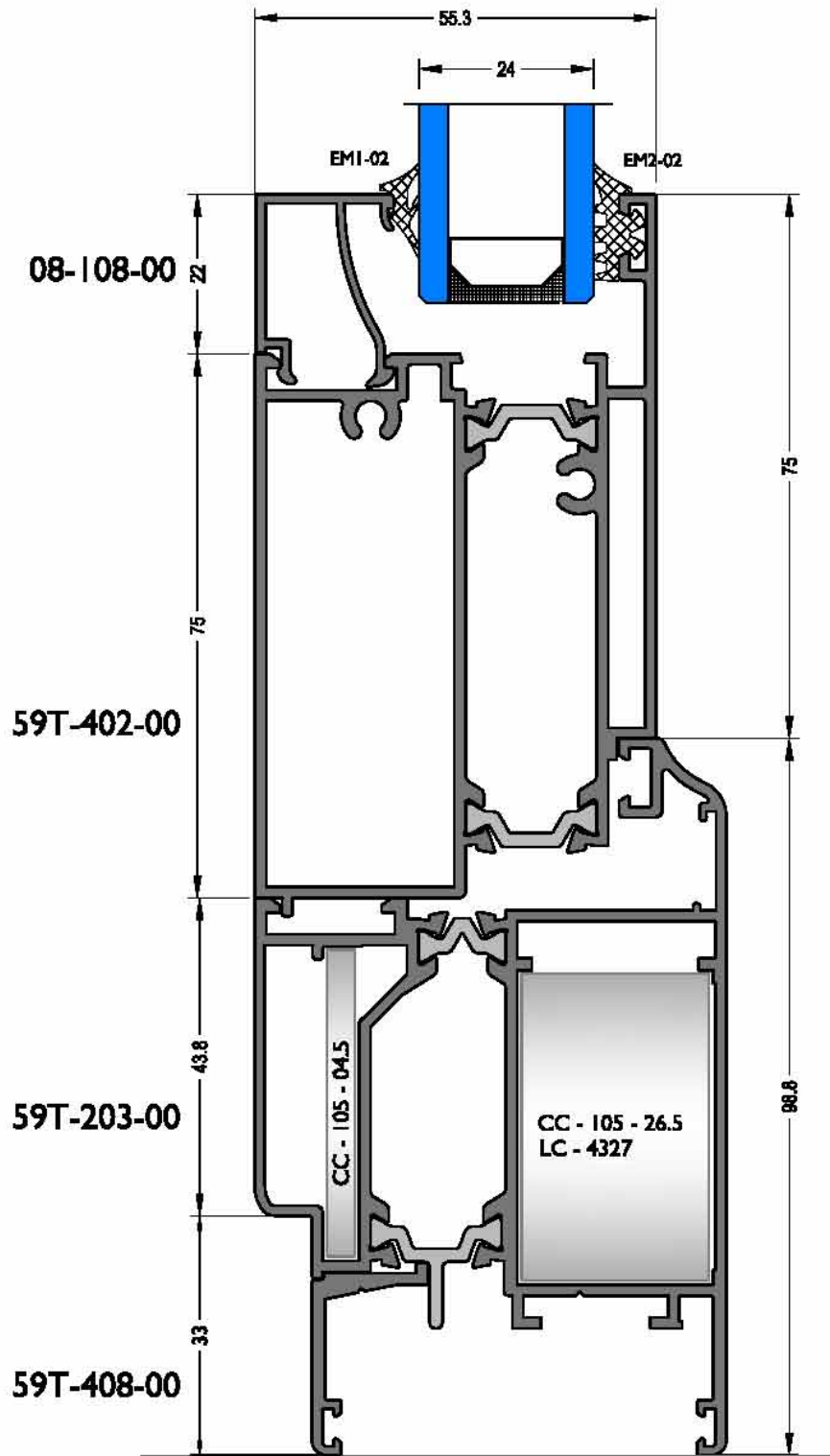
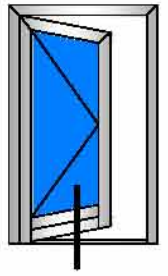






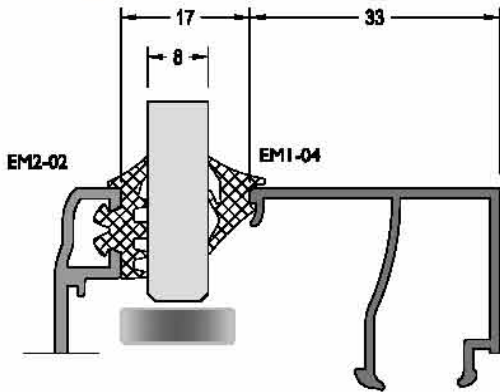




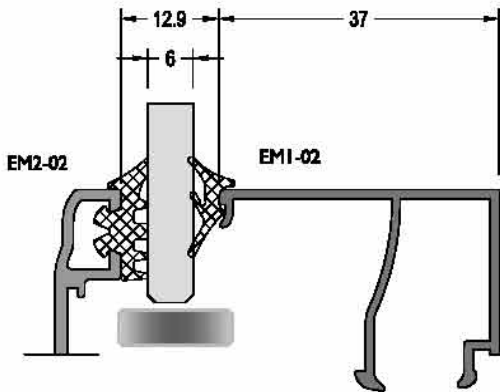


d - GLAZING TABLE

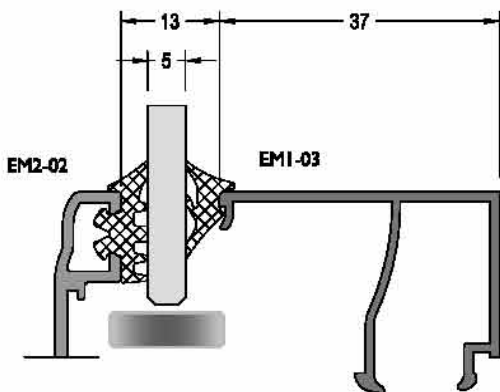
profiles



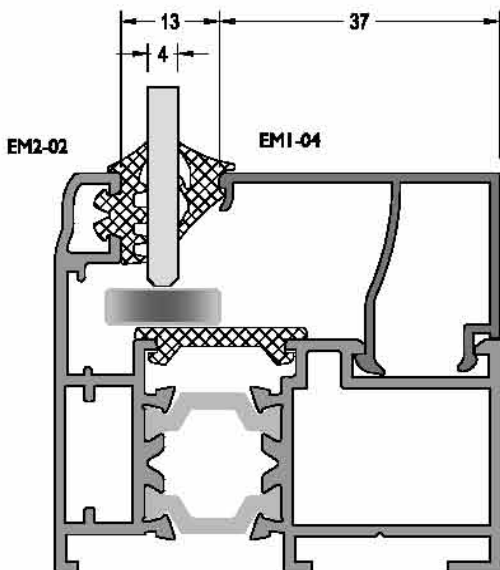
08-115-00



08-116-00

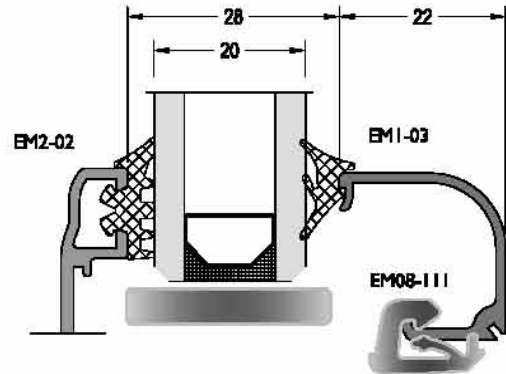


08-116-00

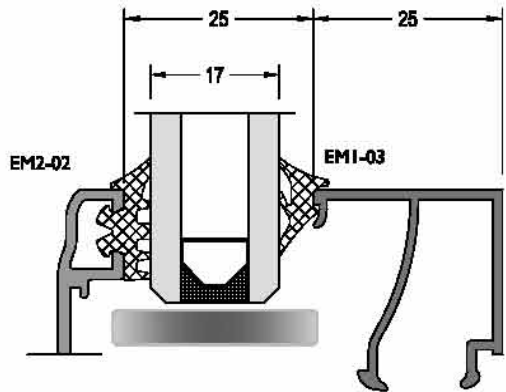


08-116-00

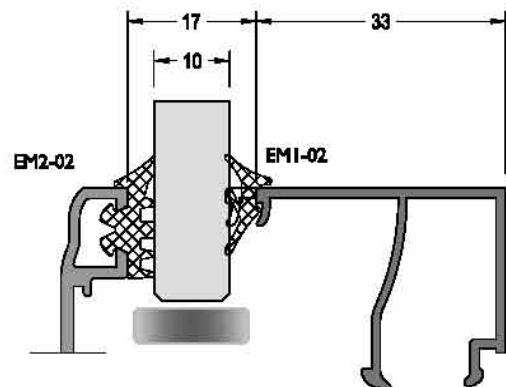
GLAZING THICKNESS	GLAZING GASKET INSIDE	GLAZING GASKET OUTSIDE	GLAZING BEAD
4 mm	EM1-04	EM2-02	08-116-00
5 mm	EM1-03	EM2-02	
6 mm	EM1-02	EM2-02	
8 mm	EM1-04	EM2-02	08-115-00
10 mm	EM1-02	EM2-02	08-112-00
17 mm	EM1-03	EM2-02	
20 mm	EM1-03	EM2-02	08-111-00



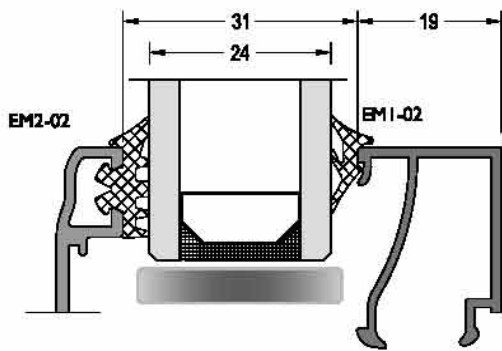
08-111-00



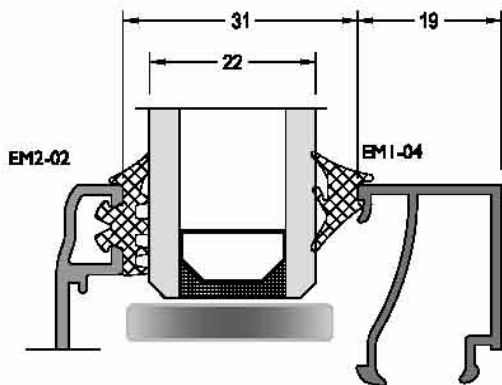
08-112-00



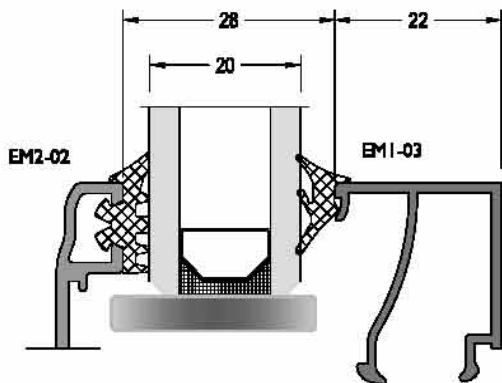
08-115-00



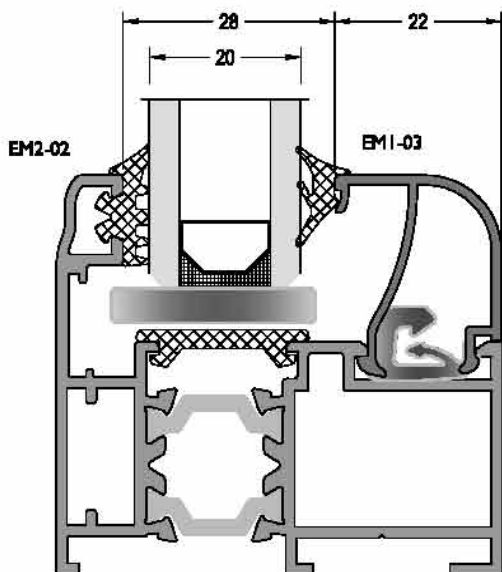
08-108-00



08-108-00

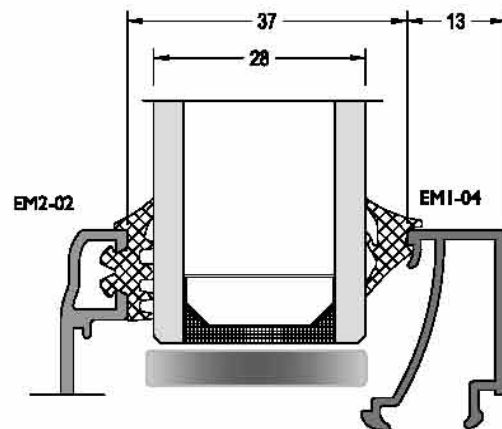


08-109-00

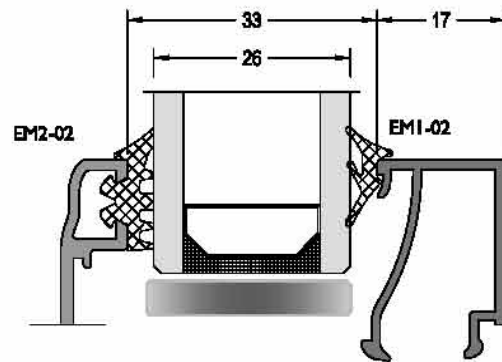


08-110-00

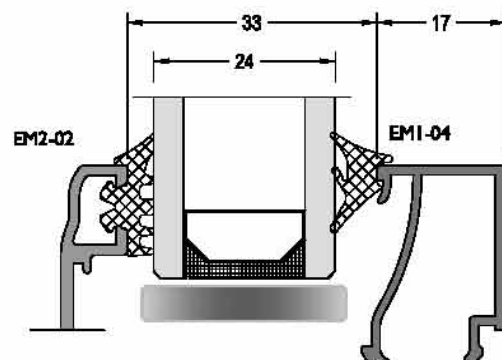
GLAZING THICKNESS	GLAZING GASKET INSIDE	GLAZING GASKET OUTSIDE	GLAZING BEAD
20 mm	EM1-03	EM2-02	08-110-00
	EM1-03	EM2-02	08-109-00
22 mm	EM1-04	EM2-02	08-108-00
24 mm	EM1-02	EM2-02	
24 mm	EM1-04	EM2-02	08-107-00
26 mm	EM1-02	EM2-02	
28 mm	EM1-04	EM2-02	08-104-00



08-104-00


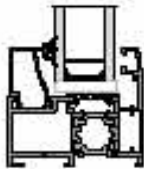

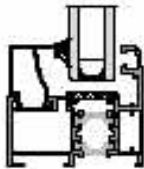

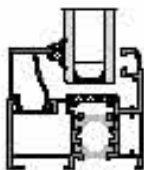

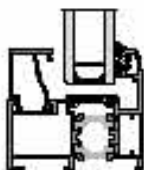

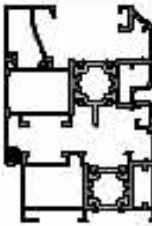
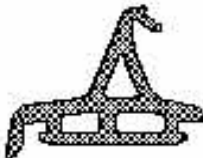
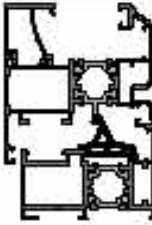

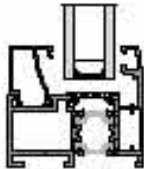



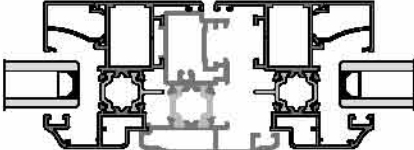

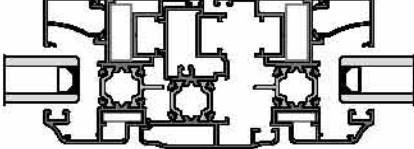

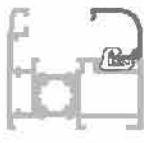

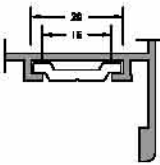

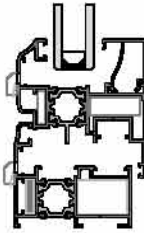
08-107-00


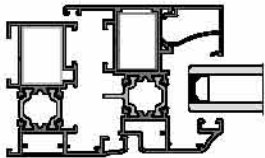

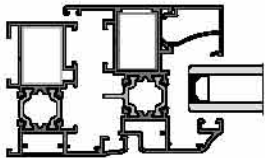

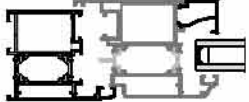





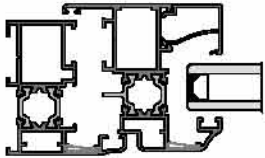

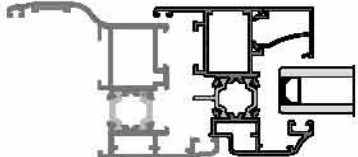



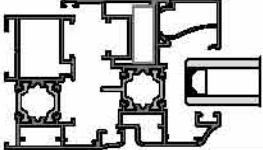

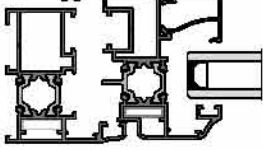

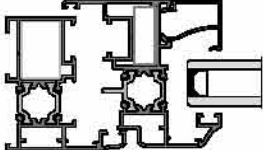



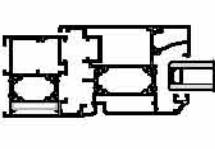

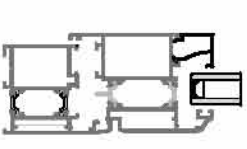

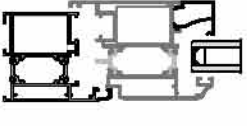
08-107-00


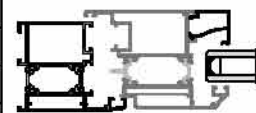

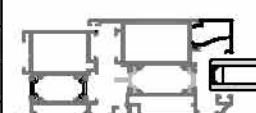
e - ACCESSORIES

CODE	DRAWING	APPLICATION	DESCRIPTION	THEORETICAL WEIGHT kg/m	IN ONE PACKAGE
EM1-02			Glazing Gasket Inside (EPDM)	0.050	300 m
EM1-03			Glazing Gasket Inside (EPDM)	0.060	250 m
EM1-04			Glazing Gasket Inside (EPDM)	0.070	215 m
EM2-02			Glazing Gasket Outside (EPDM)	0.055	270 m
EM3-01			Acoustical Gasket (EPDM)	0.032	465 m
EM59-01			Central Gasket (EPDM)	0.214	70 m
EM59-02			Central Gasket (EPDM)	0.080	185 m

CODE	DRAWING	APPLICATION PROFILES	APPLICATION DETAIL
EM59T-501 ALUminium		59T-501-00	
EM59T-551 PERImetric		59T-551-00	
EM08-111		08-111-00	
EM15-200		Rod Profile (Euro Section I)	
EM10-01 (White)		Drainage Cap	
EM10-02 (Black)			
EM10-03 (Brown)			

CODE	DRAWING	APPLICATION PROFILES	APPLICATION DETAIL
LC-1826		59T-101-00	
		59T-103-00	
		59T-111-00	
		59T-113-00	
		59T-151-00	
		59T-152-00	
LC-1828		59T-201-00	
		59T-207-00	
		59T-208-00	
		59T-301-00	
		59T-503-00	
LC-3626		59T-102-00	
		59T-104-00	
		59T-253-00	
LC-4327		59T-202-00	
		59T-203-00	
		59T-254-00	
LC-1827		59T-301-00	
FUJI 2013		59T-101-00	
		59T-102-00	
		59T-103-00	
		59T-104-00	
		59T-111-00	
		59T-113-00	
		59T-201-00	
		59T-202-00	
		59T-203-00	
		59T-208-00	
		59T-301-00	
		59T-502-00	
		59T-503-00	
		59T-151-00	
		59T-152-00	
MO 20.1		59T-111-00	
		59T-113-00	

PROFILE CODE	DRAWING	PACKAGE CODE	QUANTITY	CUTTING SIZE	APPLICATION PROFILES	APPLICATION DETAIL
09-121-00		CC-121-25.5	80 pieces	25.5 mm	59T-251-00	
09-122-00		CC-122-04.5	77 pieces	04.5 mm	59T-101-00 59T-103-00 59T-111-00 59T-113-00 59T-201-00 59T-251-00 59T-207-00 59T-208-00 59T-301-00 59T-503-00	
09-122-00		CC-122-25.5	35 pieces	25.5 mm	59T-101-00 59T-103-00 59T-111-00 59T-113-00 59T-201-00 59T-207-00 59T-208-00 59T-301-00 59T-503-00	
09-123-00		CC-123-04.5	55 pieces	04.5 mm	59T-502-00	
09-124-00		CC-124-04.5	44 pieces	04.5 mm	59T-151-00 59T-152-00	
09-125-00		CC-125-04.5	44 pieces	04.5 mm	59T-102-00 59T-104-00	
09-125-00		CC-125-25.5	20 pieces	25.5 mm	59T-102-00 59T-104-00 59T-253-00	

PROFILE CODE	DRAWING	PACKAGE CODE	QUANTITY	CUTTING SIZE	APPLICATION PROFILES	APPLICATION DETAIL
09-105-00		CC-105-04.5	33 pieces	04.5 mm	59T-202-00	
					59T-203-00	
					59T-253-00	
					59T-254-00	
09-105-00		CC-105-26.5	15 pieces	26.5 mm	59T-202-00	
					59T-203-00	
					59T-253-00	



SPECIAL EXTRUDED CORNER JOINT FOR PERIMETRIC

When you use PVC accessories with these Frames

59T-151-00 , 59T-152-00 , 59T-301-00

Use this corner joint

This corner joint for only Aubi A300 & GU Uni jet D

PROFILE CODE	DRAWING	PACKAGE CODE	QUANTITY	CUTTING SIZE	APPLICATION PROFILES	APPLICATION DETAIL
09-154-00		CC-105-25.5	35 pieces	25.5 mm		
					59T-151-00	
					59T-152-00	
					59T-301-00	