

EDITION / VERSİYON  
12/2010



## TRAILER PROFILES

*TIR PROFİLLERİ*

 **Lorenzoline**<sup>®</sup>  
aluminium profile system

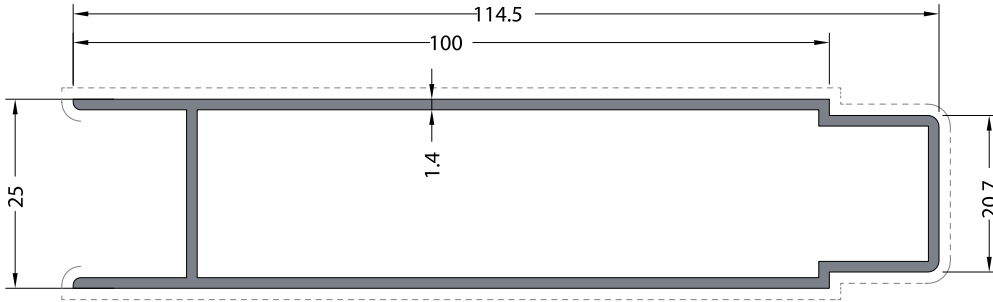




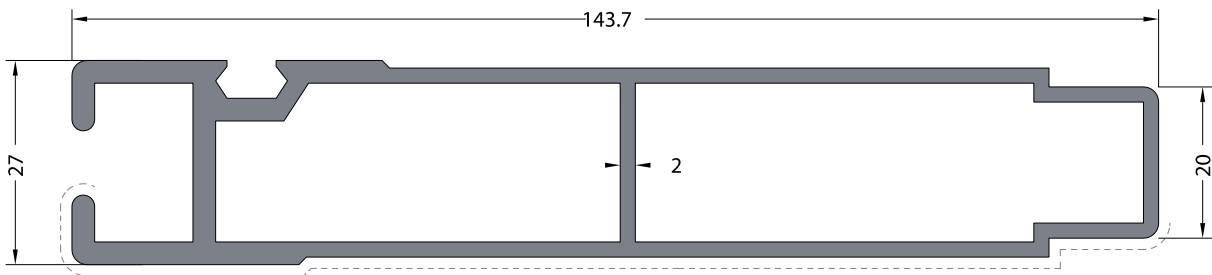
**tırprofilleri**

**truckprofiles**

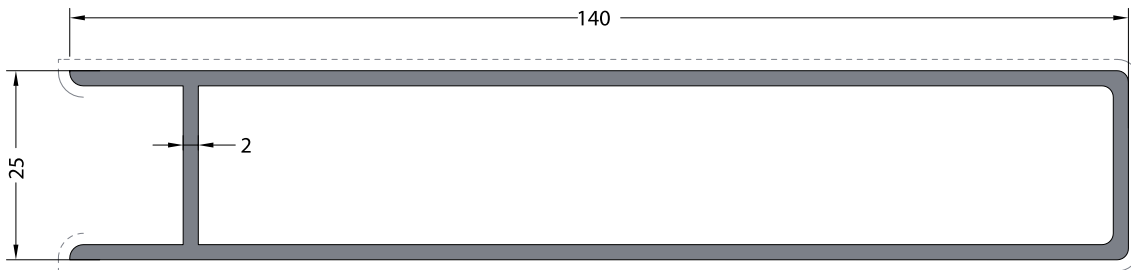
tırprofilleri / truckprofiles



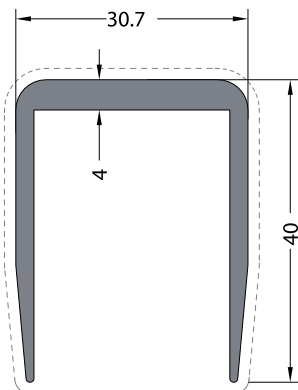
**CODE / KOD**    **THEORETICAL WEIGHT kg/m**  
**901**            *TEORİK AĞIRLIK kg/m*  
**1.033**



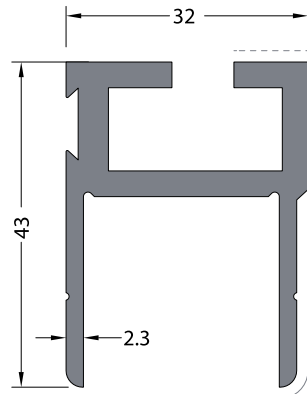
**CODE / KOD**    **THEORETICAL WEIGHT kg/m**  
**902**            *TEORİK AĞIRLIK kg/m*  
**2.277**



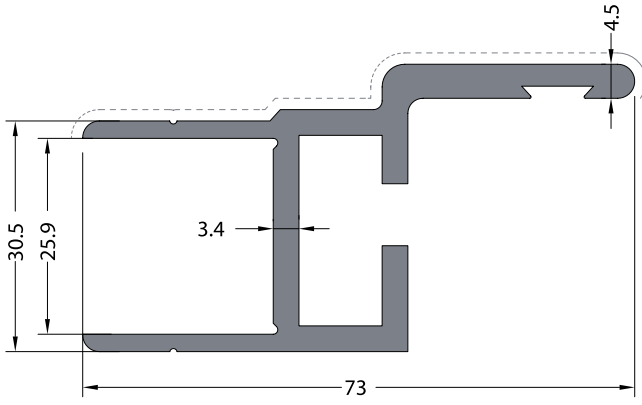
**CODE / KOD**    **THEORETICAL WEIGHT kg/m**  
**903**            *TEORİK AĞIRLIK kg/m*  
**1.741**



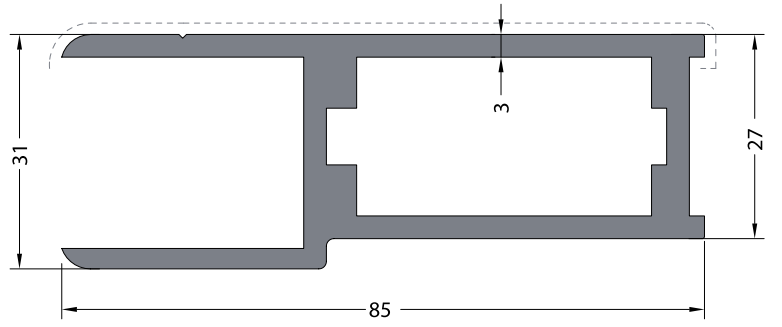
**CODE / KOD**  
**904**  
**THEORETICAL WEIGHT kg/m**  
*TEORİK AĞIRLIK kg/m*  
**0.711**



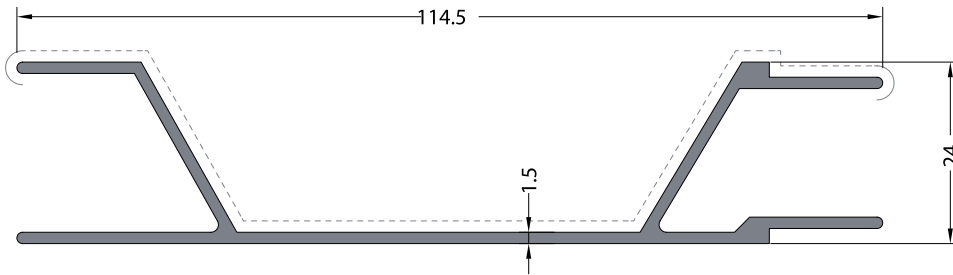
**CODE / KOD**  
**906**  
**THEORETICAL WEIGHT kg/m**  
*TEORİK AĞIRLIK kg/m*  
**1.050**



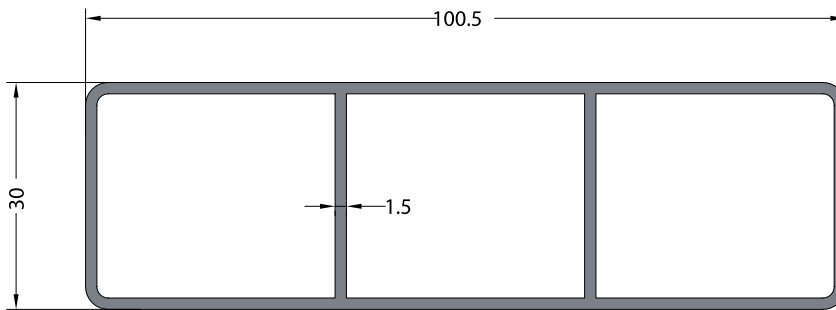
**CODE / KOD**    **THEORETICAL WEIGHT kg/m**  
**905**            *TEORİK AĞIRLIK kg/m*  
**1.398**



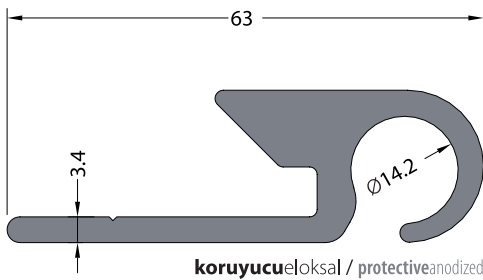
**CODE / KOD**    **THEORETICAL WEIGHT kg/m**  
**909**            *TEORİK AĞIRLIK kg/m*  
**1.933**



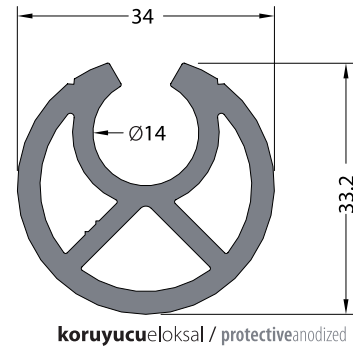
**CODE / KOD**    **THEORETICAL WEIGHT kg/m**  
**907**            *TEORİK AĞIRLIK kg/m*  
**0.848**



**CODE / KOD**    **THEORETICAL WEIGHT kg/m**    koruyucueloksal / protectiveanodized  
**908**            *TEORİK AĞIRLIK kg/m*  
**1.240**

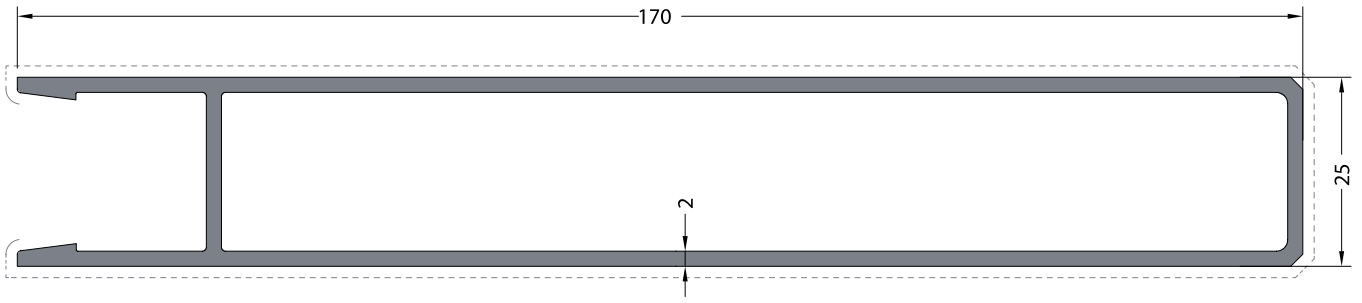


**CODE / KOD**    **THEORETICAL WEIGHT kg/m**  
**910**            *TEORİK AĞIRLIK kg/m*  
**1.223**

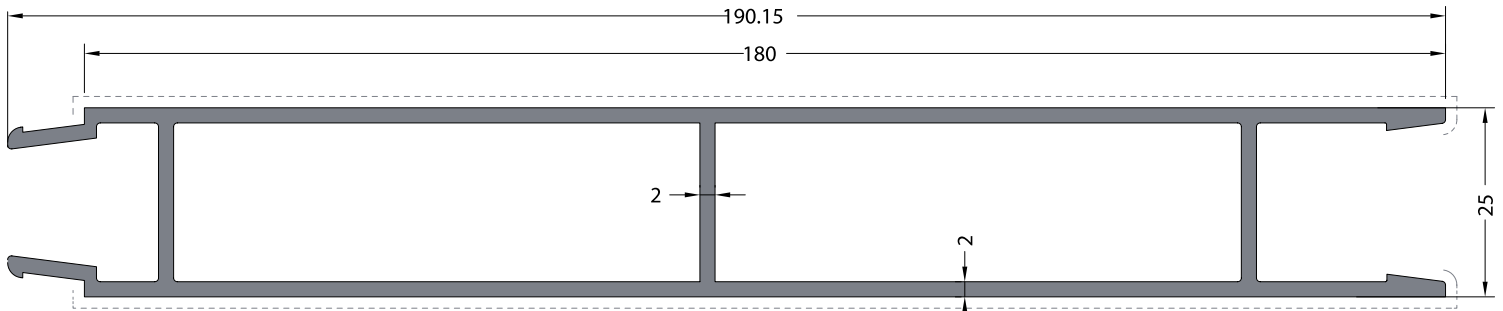


**CODE / KOD**    **THEORETICAL WEIGHT kg/m**  
**911**            *TEORİK AĞIRLIK kg/m*  
**1.166**

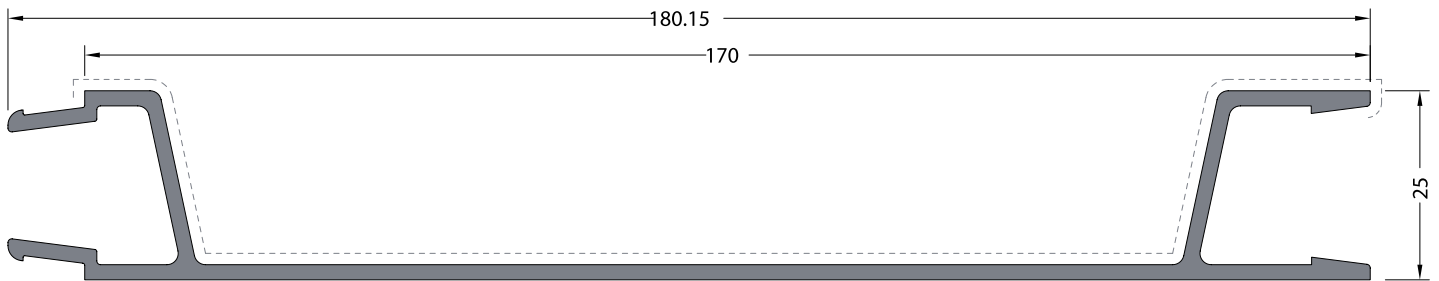
## tırprofilleri / truckprofiles



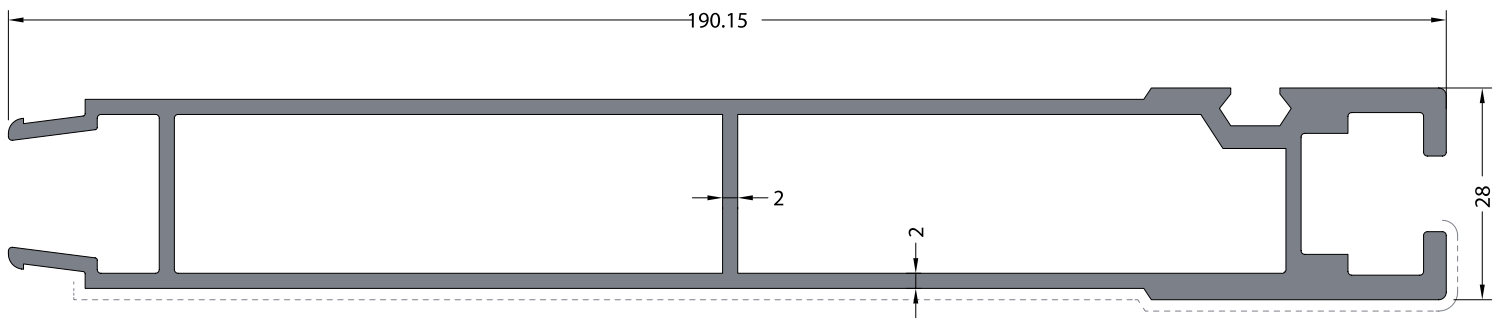
**CODE / KOD**    **THEORETICAL WEIGHT kg/m**  
**912**            *TEORİK AĞIRLIK kg/m*  
**2.088**



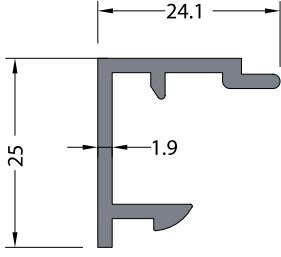
**CODE / KOD**    **THEORETICAL WEIGHT kg/m**  
**913**            *TEORİK AĞIRLIK kg/m*  
**2.448**



**CODE / KOD**    **THEORETICAL WEIGHT kg/m**  
**914**            *TEORİK AĞIRLIK kg/m*  
**1.478**

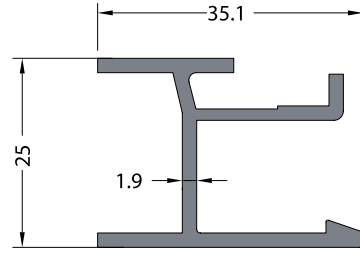


**CODE / KOD**    **THEORETICAL WEIGHT kg/m**  
**915**            *TEORİK AĞIRLIK kg/m*  
**2.921**



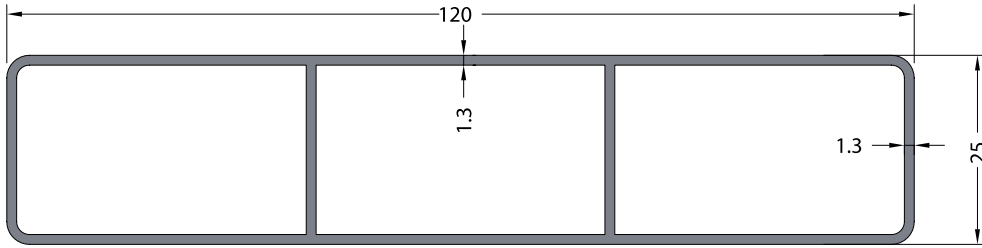
görünenüzeyyoktur / novisiblesurface

**CODE / KOD** THEORETICAL WEIGHT kg/m  
**916** TEORİK AĞIRLIK kg/m  
**0.334**



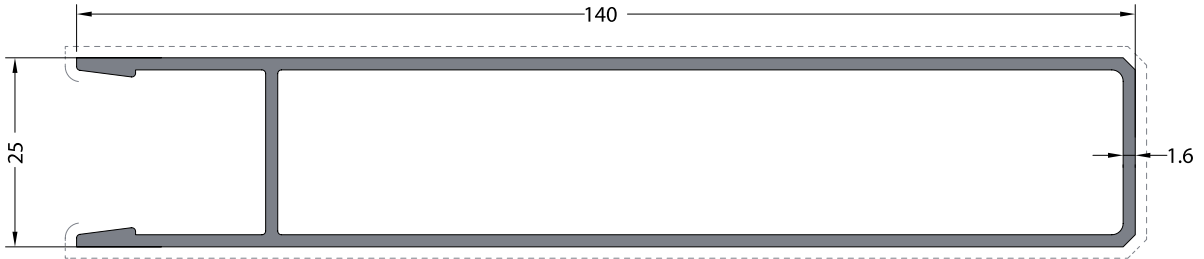
görünenüzeyyoktur / novisiblesurface

**CODE / KOD** THEORETICAL WEIGHT kg/m  
**917** TEORİK AĞIRLIK kg/m  
**0.505**

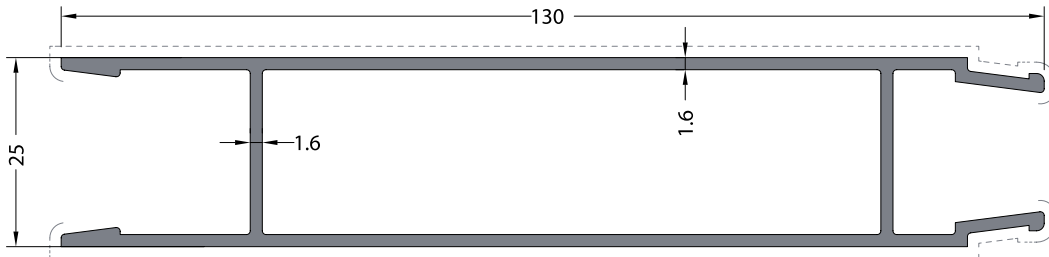


**CODE / KOD** THEORETICAL WEIGHT kg/m  
**918** TEORİK AĞIRLIK kg/m  
**1.147**

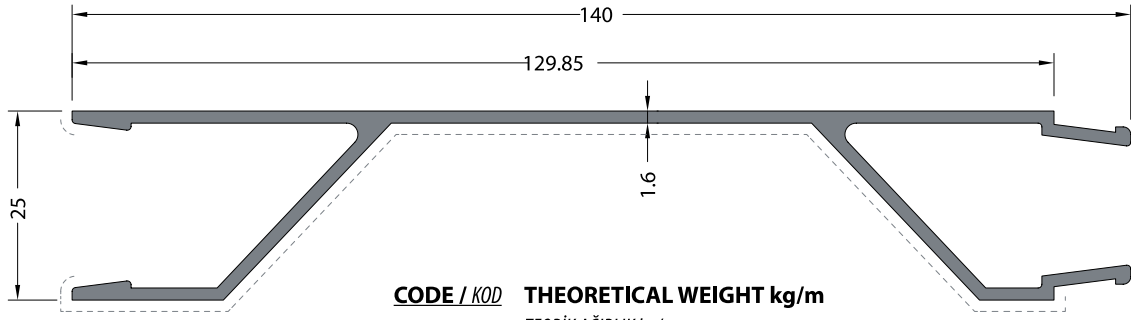
koruyucueloksal / protectiveanodized



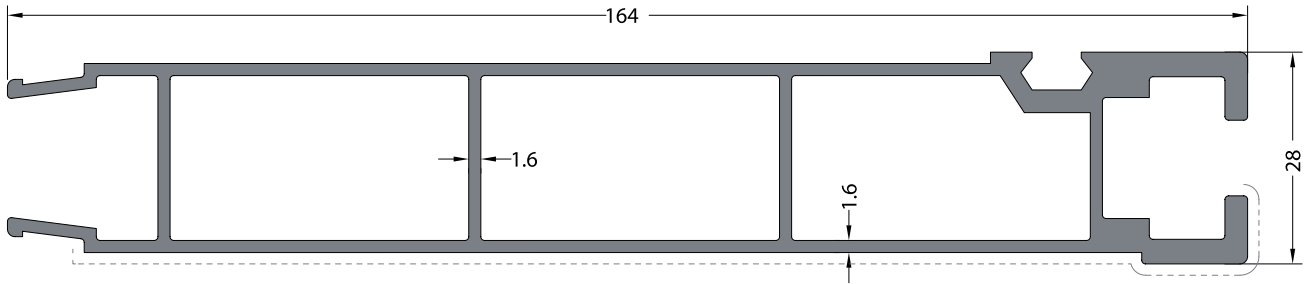
**CODE / KOD** THEORETICAL WEIGHT kg/m  
**919** TEORİK AĞIRLIK kg/m  
**1.418**



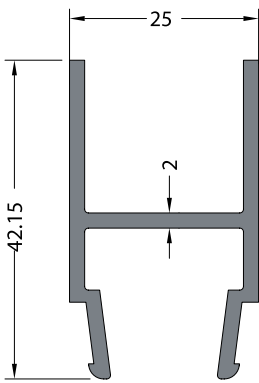
**CODE / KOD** THEORETICAL WEIGHT kg/m  
**920** TEORİK AĞIRLIK kg/m  
**1.361**



**CODE / KOD** THEORETICAL WEIGHT kg/m  
**921** TEORİK AĞIRLIK kg/m  
**1.126**

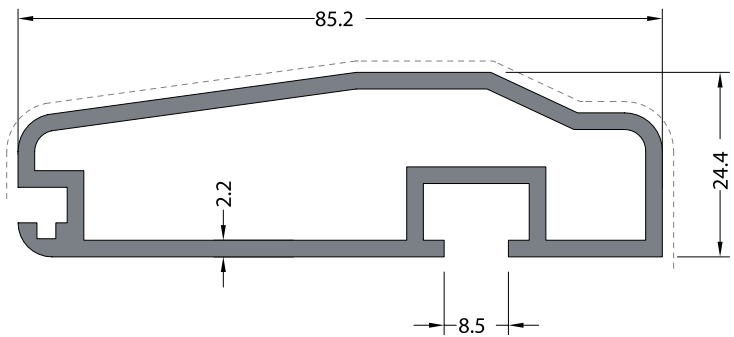


**CODE / KOD** THEORETICAL WEIGHT kg/m  
**922** TEORİK AĞIRLIK kg/m  
**2.253**



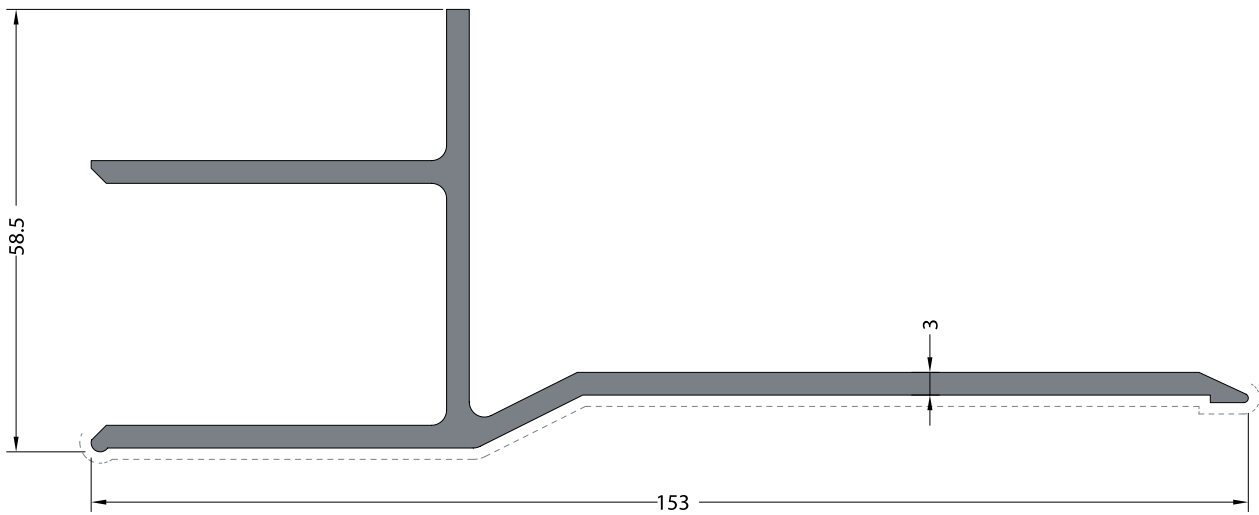
**görünen yüzey yoktur / no visible surface**

**CODE / KOD** THEORETICAL WEIGHT kg/m  
**923** TEORİK AĞIRLIK kg/m  
**0.594**

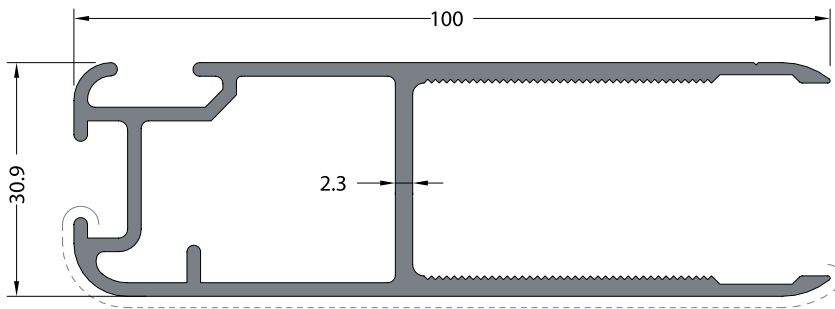


**CODE / KOD** THEORETICAL WEIGHT kg/m  
**924** TEORİK AĞIRLIK kg/m  
**1.381**

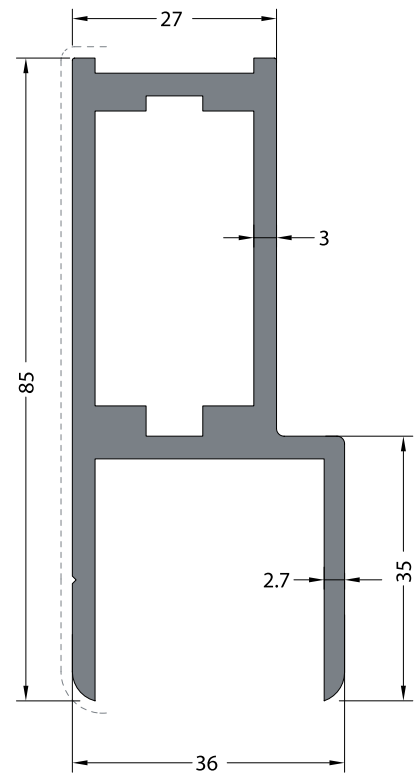




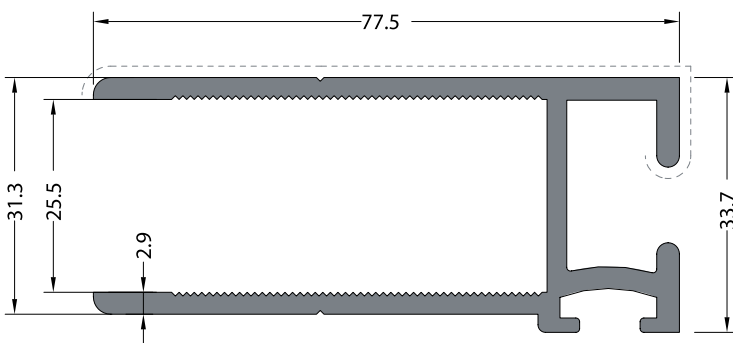
**CODE / KOD** THEORETICAL WEIGHT kg/m  
**925** TEORİK AĞIRLIK kg/m  
**2.077**



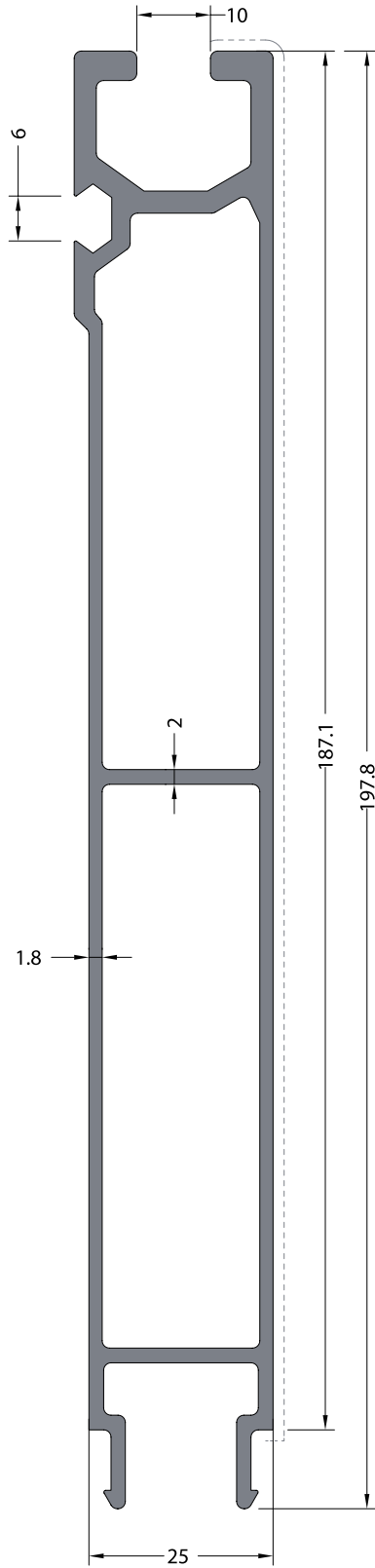
**CODE / KOD** THEORETICAL WEIGHT kg/m  
**926** TEORİK AĞIRLIK kg/m  
**1.533**



**CODE / KOD**  
**927**  
**THEORETICAL WEIGHT kg/m**  
 TEORİK AĞIRLIK kg/m  
**1.974**



**CODE / KOD** THEORETICAL WEIGHT kg/m  
**937** TEORİK AĞIRLIK kg/m  
**1.506**



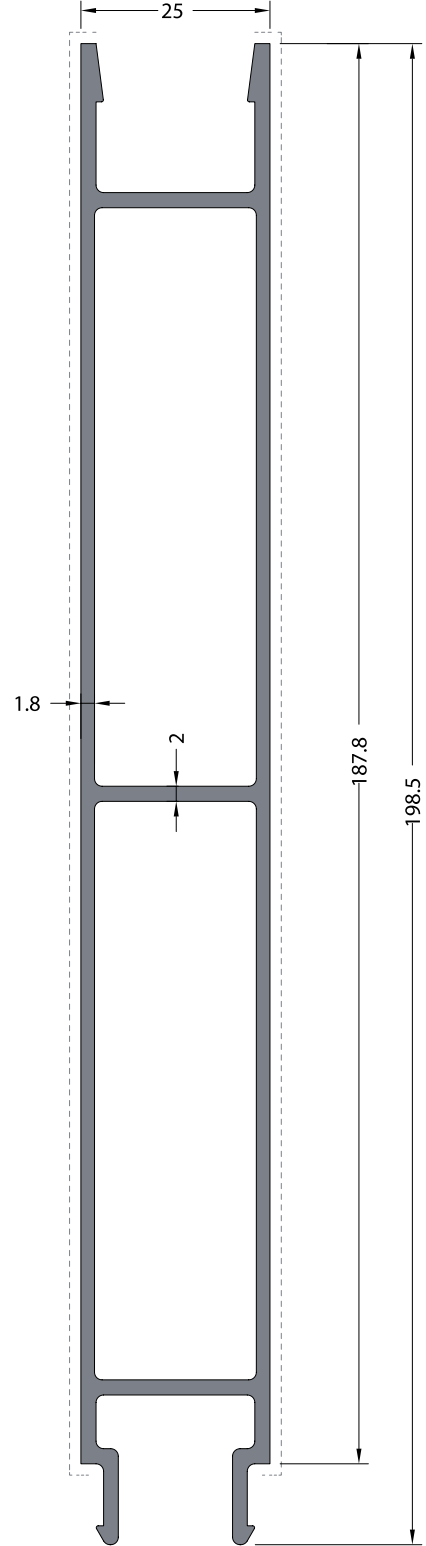
**CODE / KOD**

**938**

**THEORETICAL WEIGHT kg/m**

*TEORİK AĞIRLIK kg/m*

**2.724**



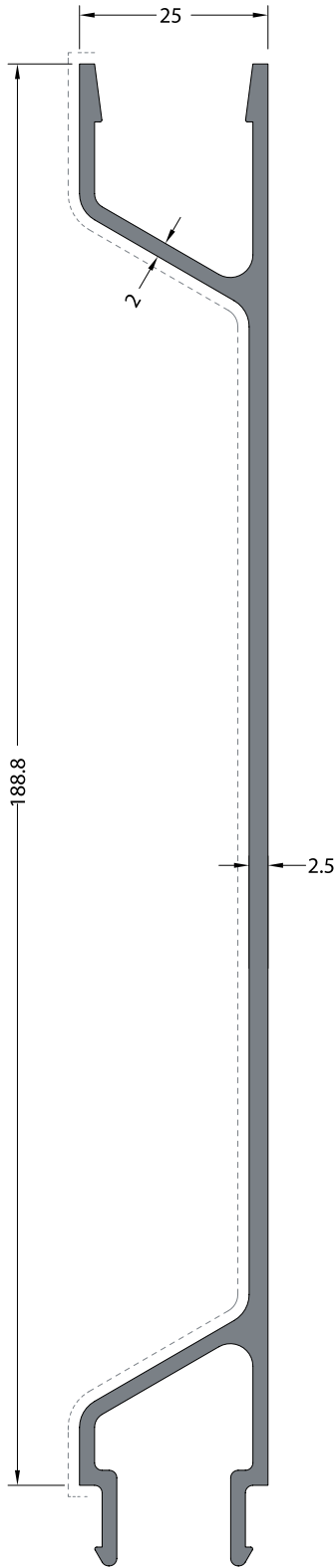
**CODE / KOD**

**939**

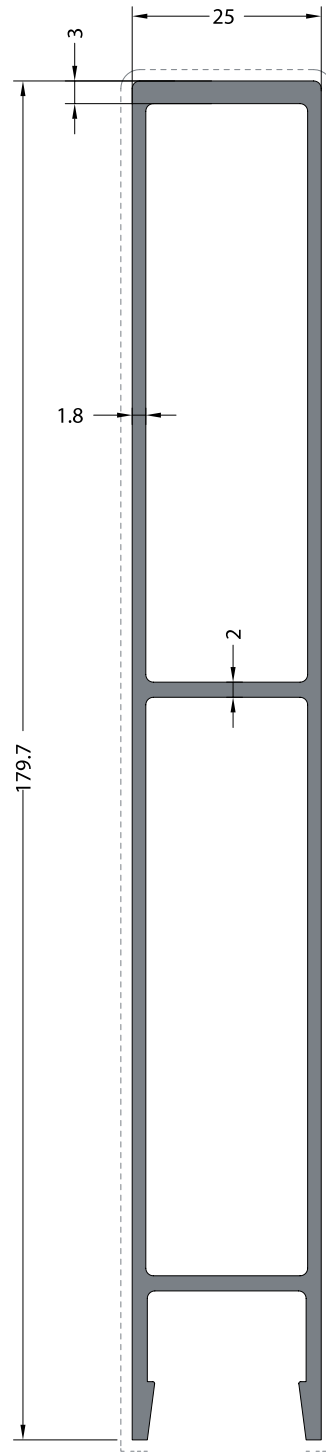
**THEORETICAL WEIGHT kg/m**

*TEORİK AĞIRLIK kg/m*

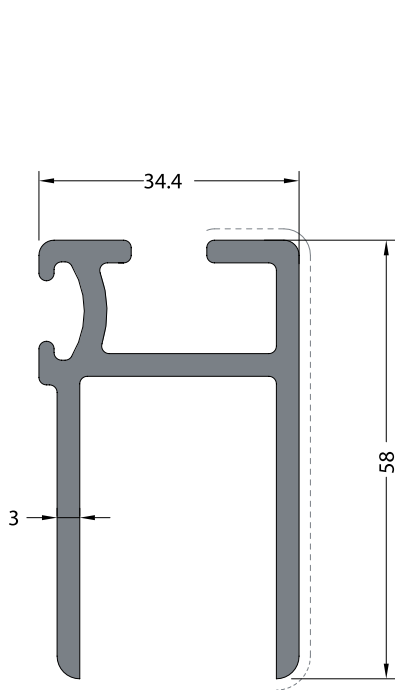
**2.389**



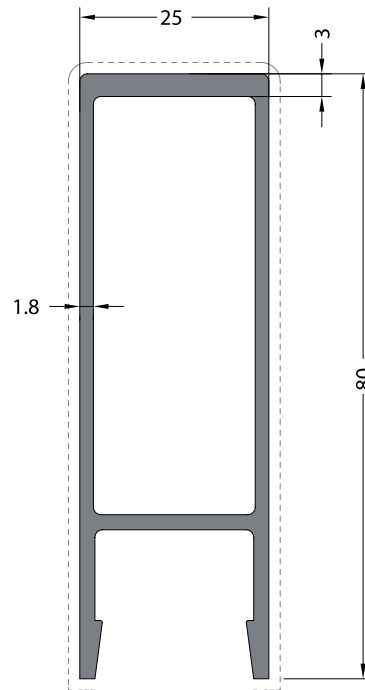
**CODE / KOD** **THEORETICAL WEIGHT kg/m**  
**940** *TEORİK AĞIRLIK kg/m*  
**1.845**



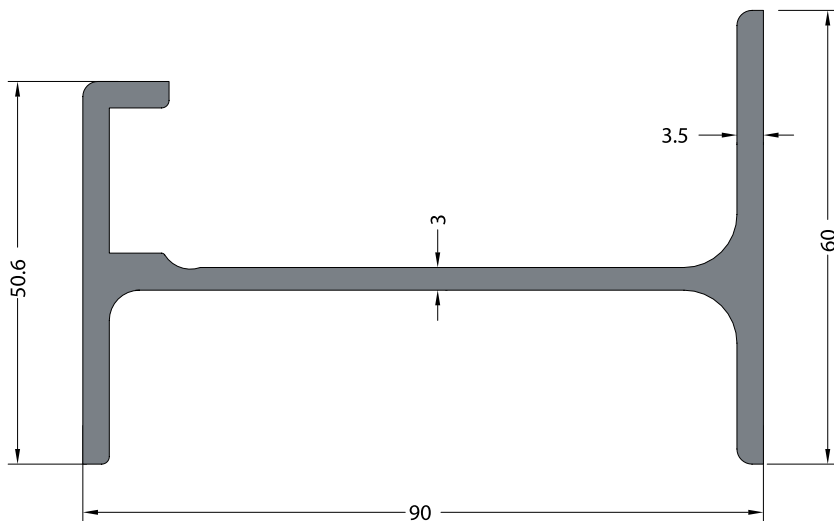
**CODE / KOD** **THEORETICAL WEIGHT kg/m**  
**941** *TEORİK AĞIRLIK kg/m*  
**2.206**



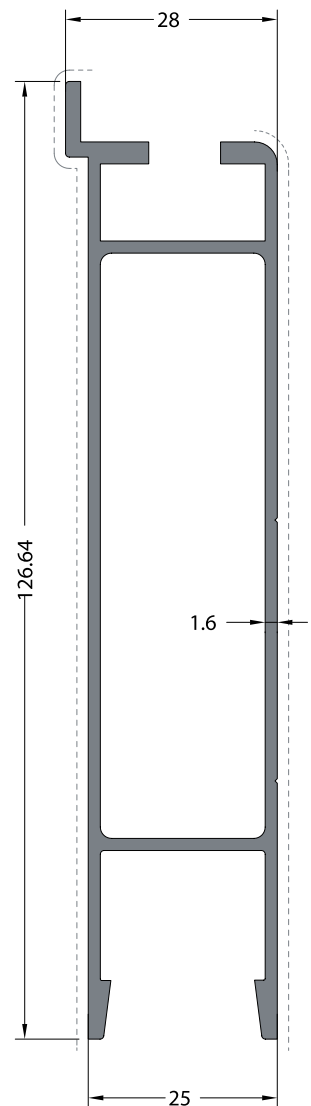
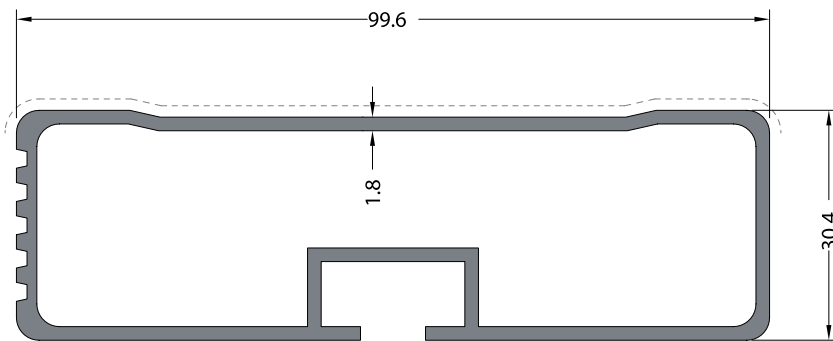
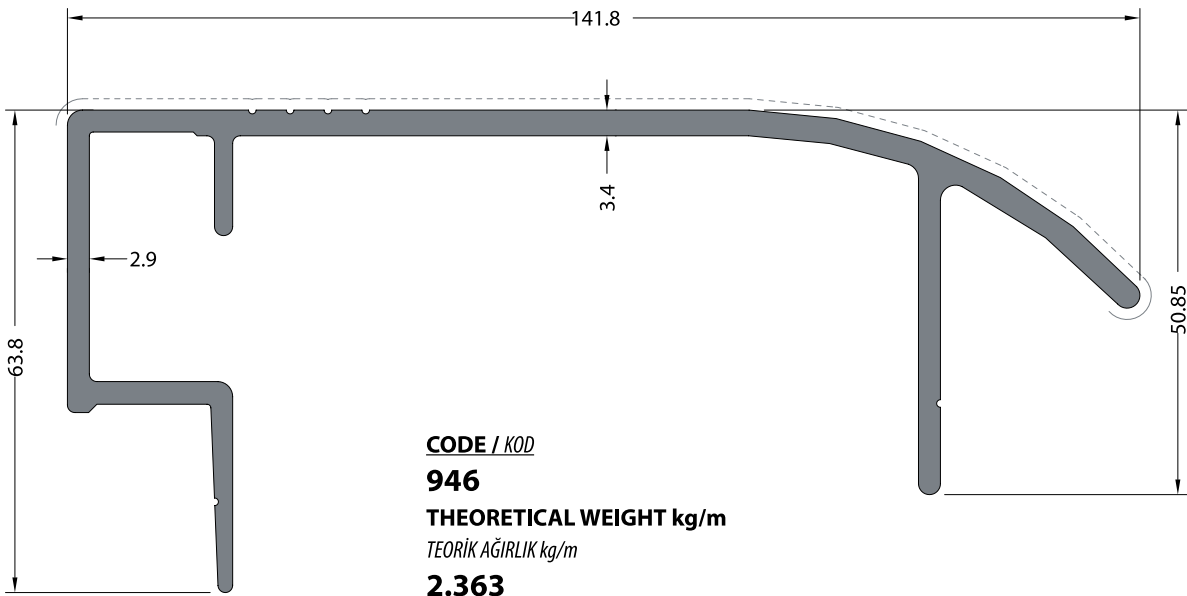
**CODE / KOD** THEORETICAL WEIGHT kg/m  
**942** TEORİK AĞIRLIK kg/m  
**1.337**



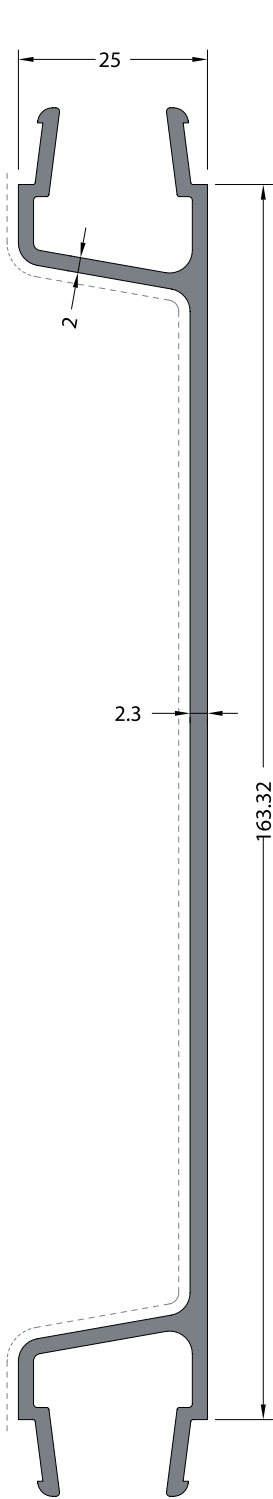
**CODE / KOD** THEORETICAL WEIGHT kg/m  
**943** TEORİK AĞIRLIK kg/m  
**1.115**



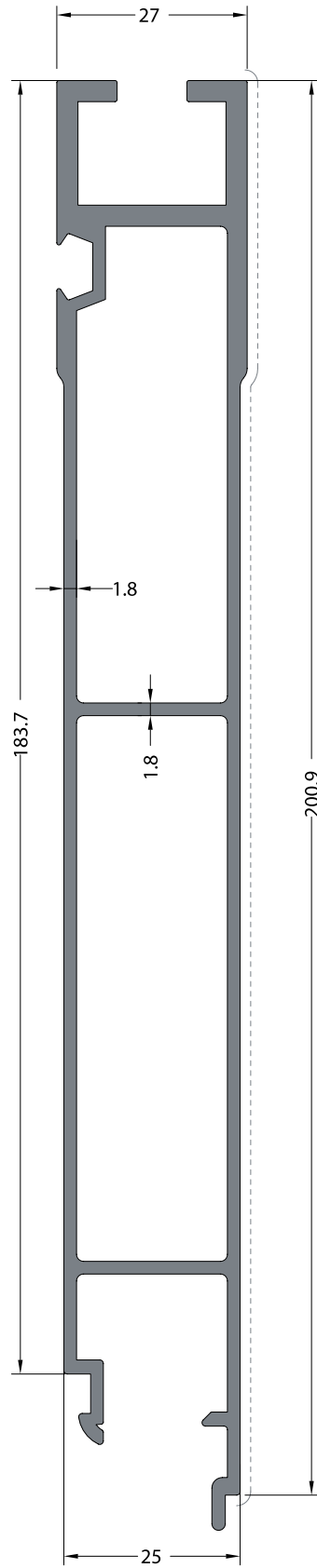
**CODE / KOD** THEORETICAL WEIGHT kg/m  
**944** TEORİK AĞIRLIK kg/m  
**1.897**



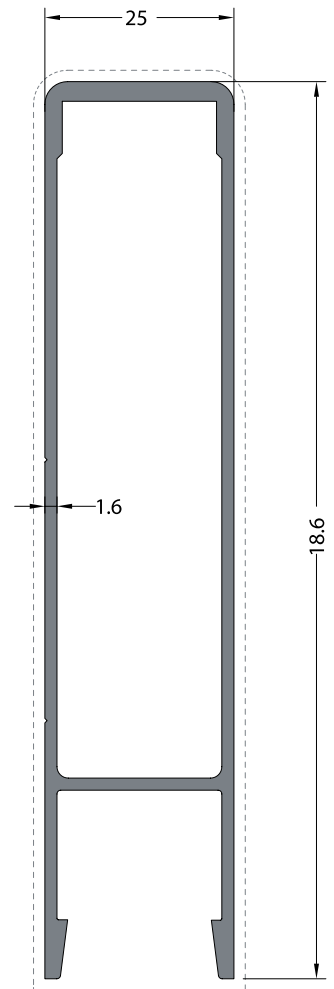




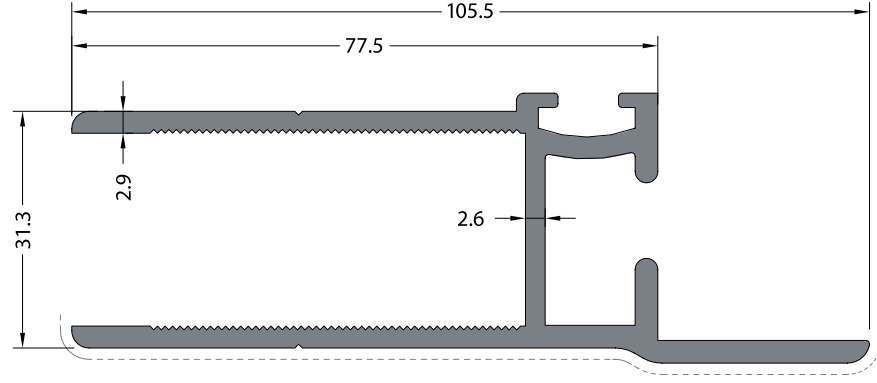
**CODE / KOD**  
**948**  
**THEORETICAL WEIGHT kg/m**  
*TEORİK AĞIRLIK kg/m*  
**1.622**



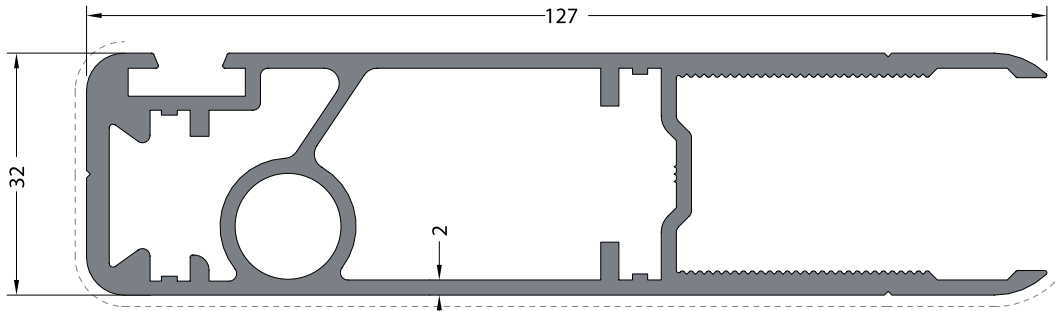
**CODE / KOD**  
**950**  
**THEORETICAL WEIGHT kg/m**  
*TEORİK AĞIRLIK kg/m*  
**2.750**



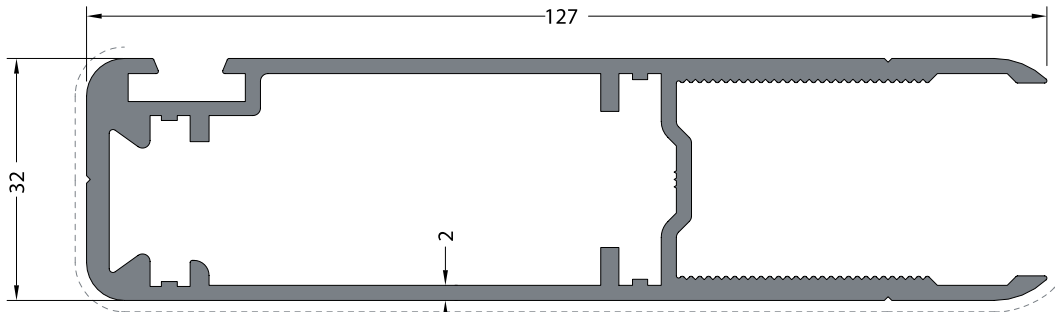
**CODE / KOD**  
**949**  
**THEORETICAL WEIGHT kg/m**  
*TEORİK AĞIRLIK kg/m*  
**1.334**



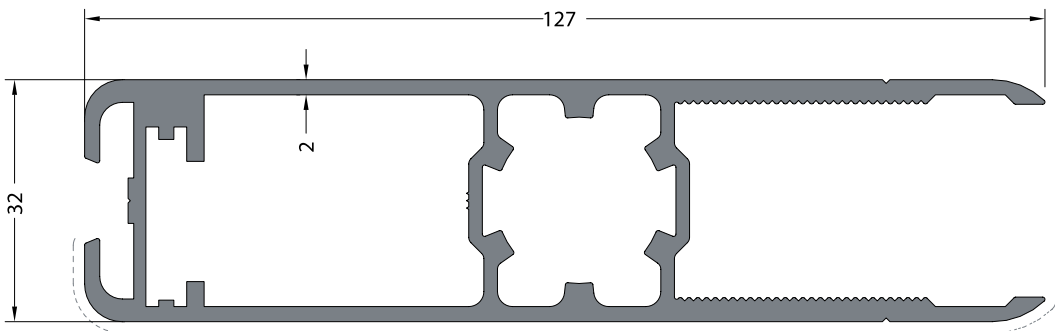
**CODE / KOD** THEORETICAL WEIGHT kg/m  
**951** TEORİK AĞIRLIK kg/m  
**1.742**



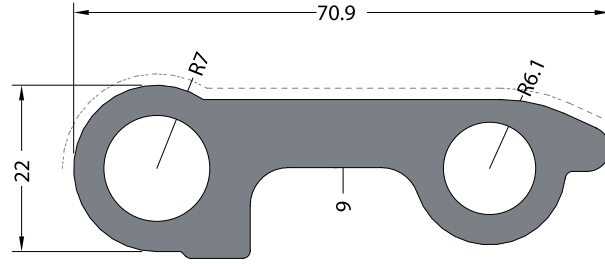
**CODE / KOD** THEORETICAL WEIGHT kg/m  
**952** TEORİK AĞIRLIK kg/m  
**2.550**



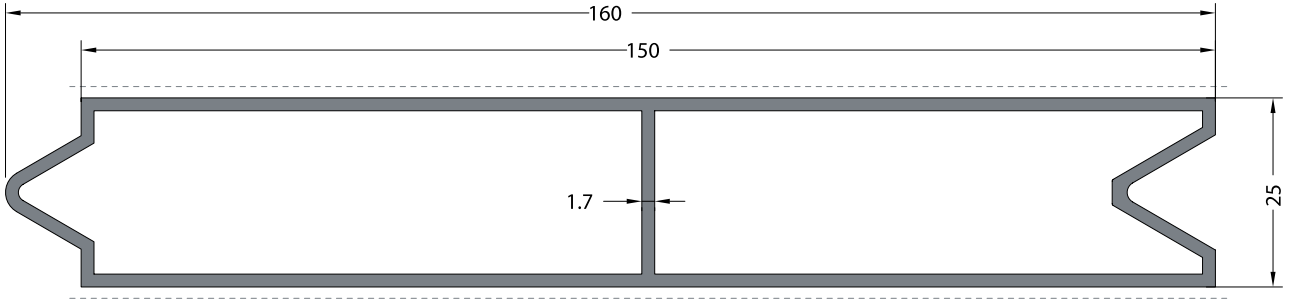
**CODE / KOD** THEORETICAL WEIGHT kg/m  
**953** TEORİK AĞIRLIK kg/m  
**2.229**



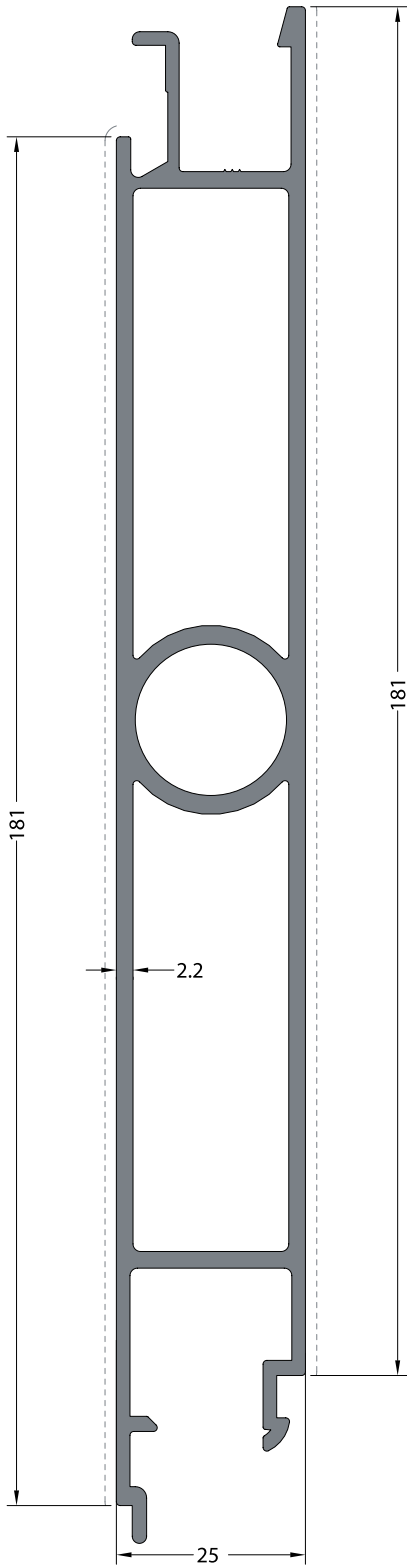
**CODE / KOD** THEORETICAL WEIGHT kg/m  
**954** TEORİK AĞIRLIK kg/m  
**2.406**



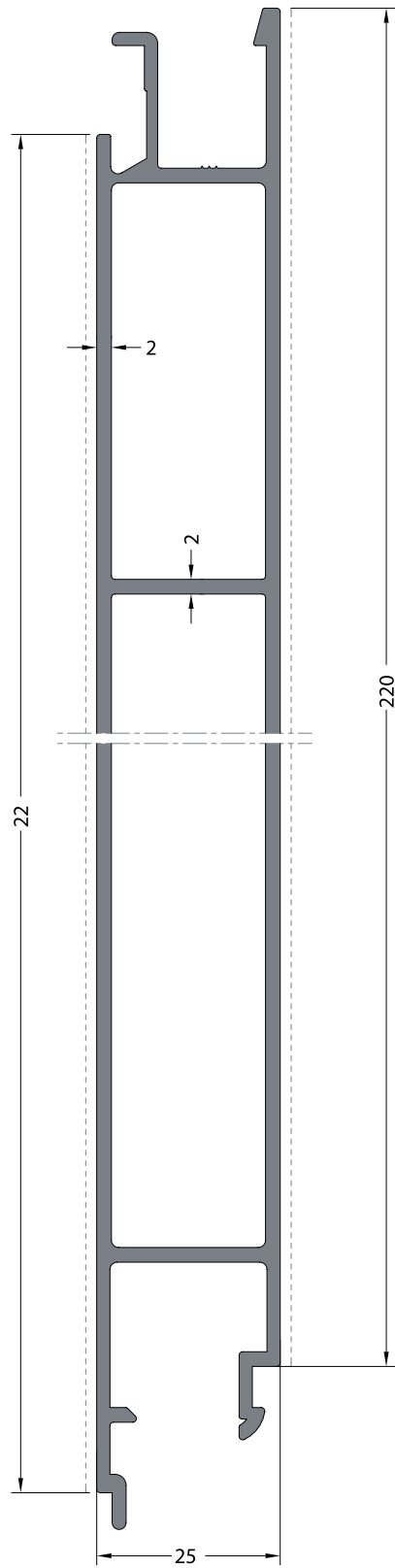
**CODE / KOD** **THEORETICAL WEIGHT kg/m**  
**955** **TEORİK AĞIRLIK kg/m**  
**2.054**



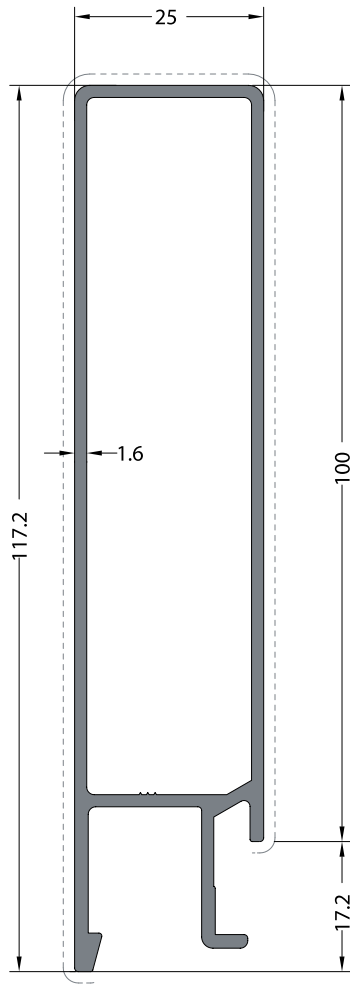
**CODE / KOD** **THEORETICAL WEIGHT kg/m**  
**958** **TEORİK AĞIRLIK kg/m**  
**1.797**



**CODE / KOD** THEORETICAL WEIGHT kg/m  
**956** TEORİK AĞIRLIK kg/m  
**2.957**



**CODE / KOD** THEORETICAL WEIGHT kg/m  
**957** TEORİK AĞIRLIK kg/m  
**2.950**



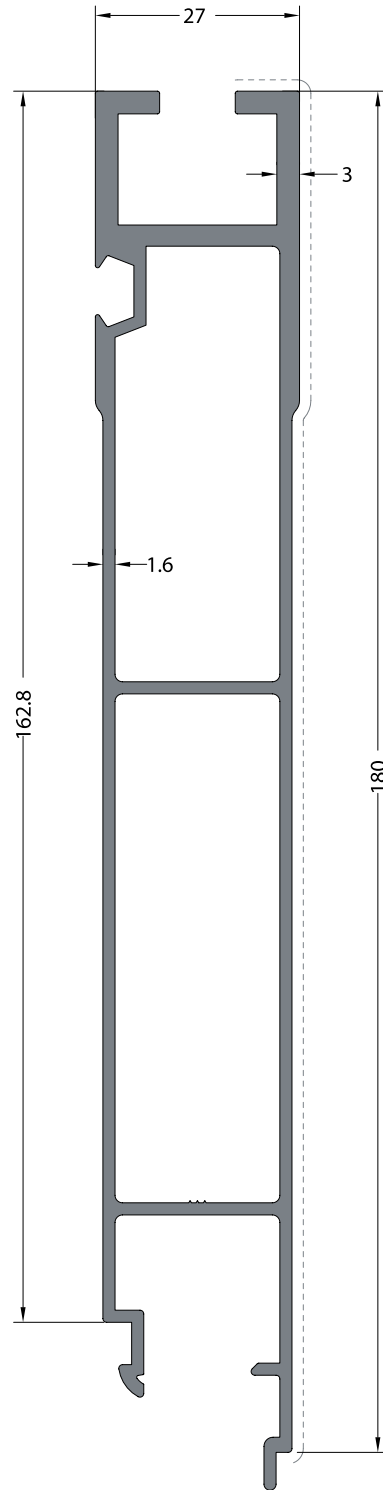
**CODE / KOD**

**959**

**THEORETICAL  
WEIGHT kg/m**

*TEORİK AĞIRLIK kg/m*

**1.273**



**CODE / KOD**

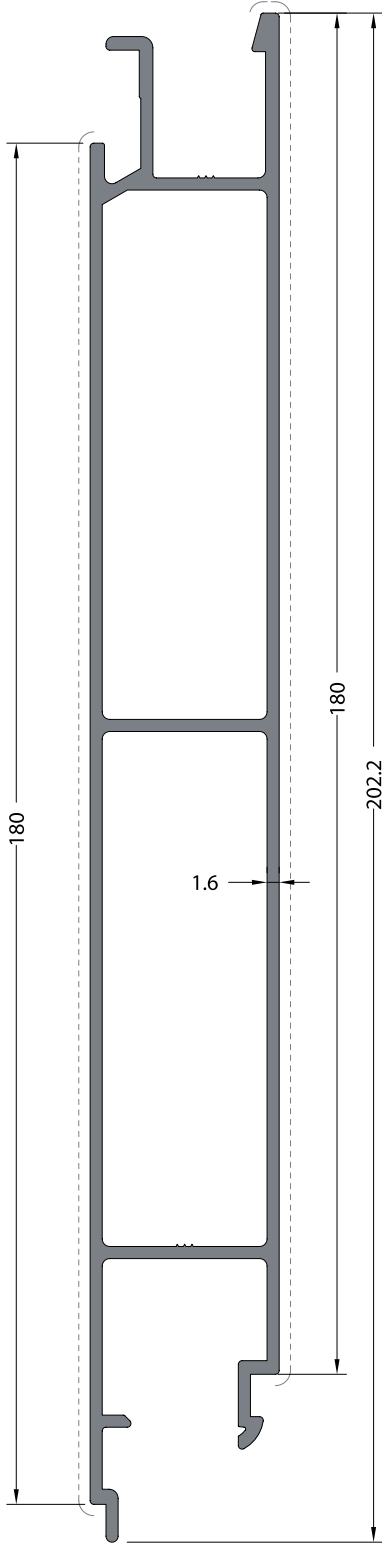
**960**

**THEORETICAL  
WEIGHT kg/m**

*TEORİK AĞIRLIK kg/m*

**2.332**





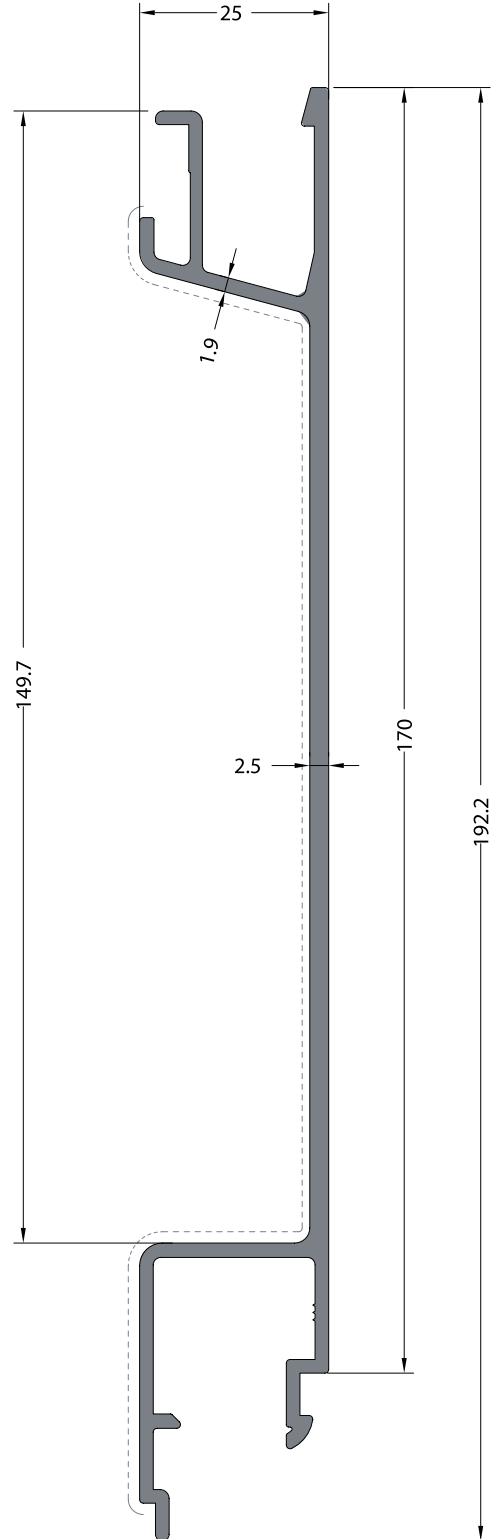
**CODE / KOD**

**961**

**THEORETICAL  
WEIGHT kg/m**

*TEORİK AĞIRLIK kg/m*

**2.114**



**CODE / KOD**

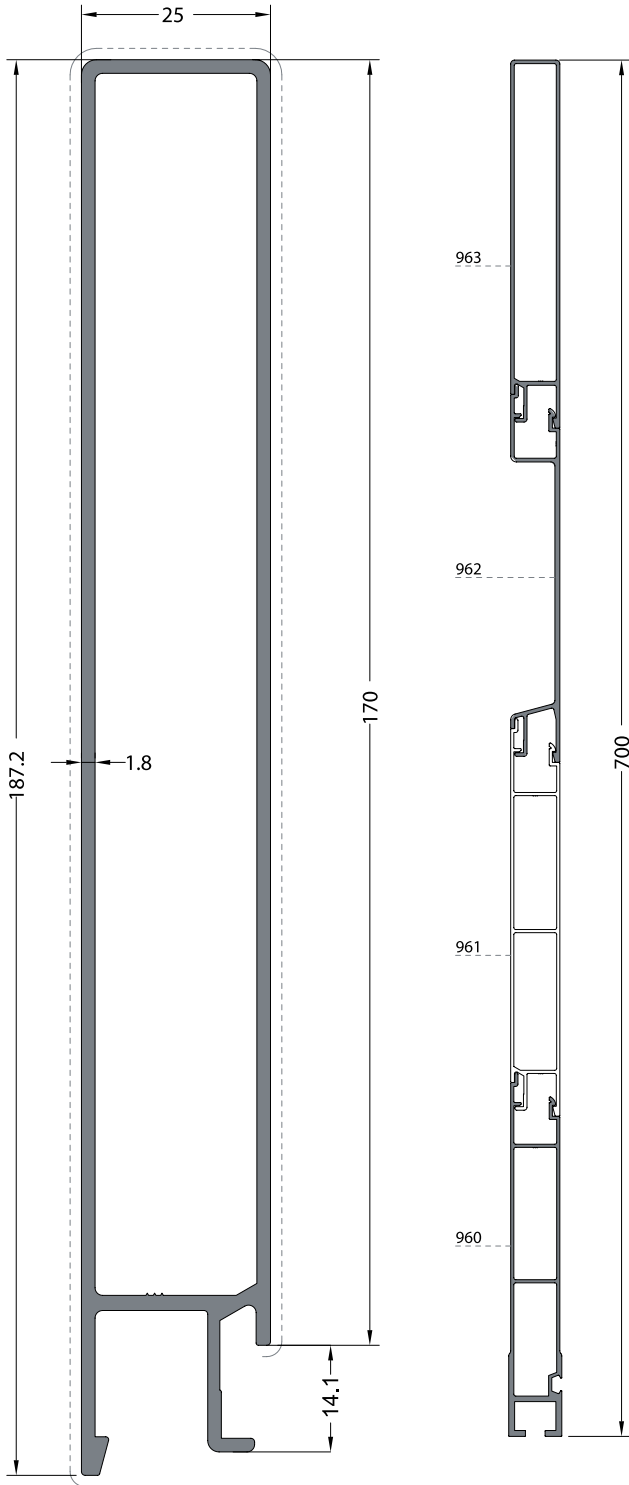
**962**

**THEORETICAL  
WEIGHT kg/m**

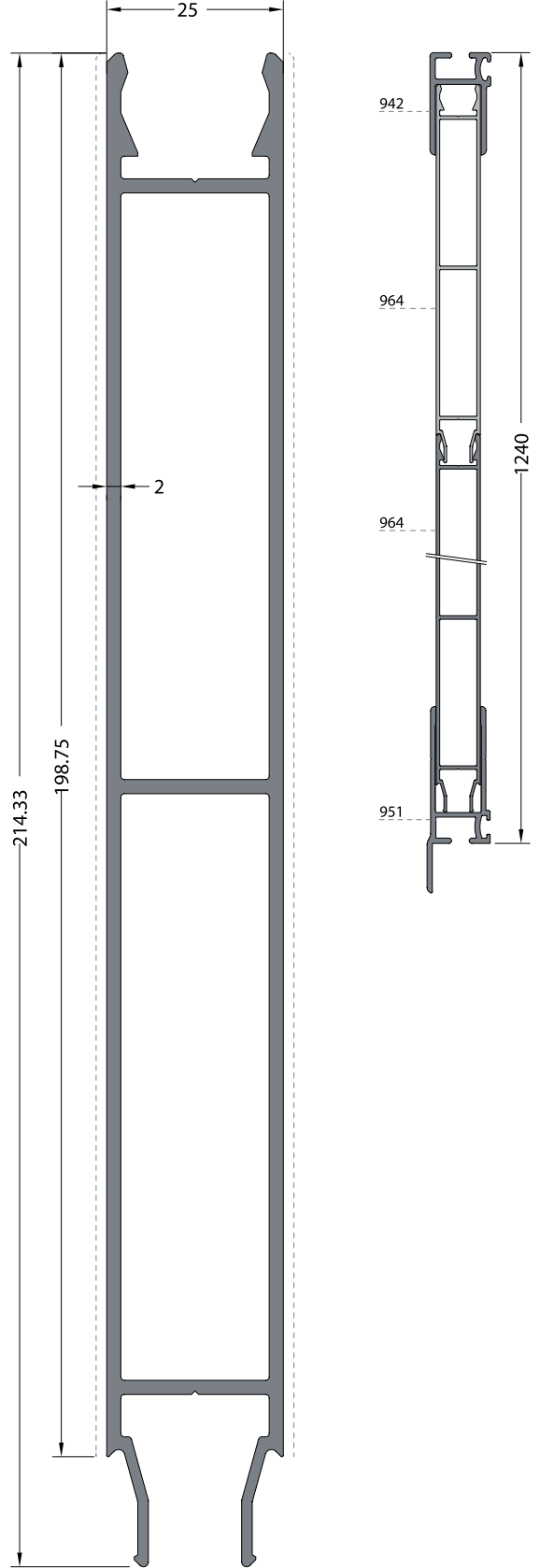
*TEORİK AĞIRLIK kg/m*

**1.763**

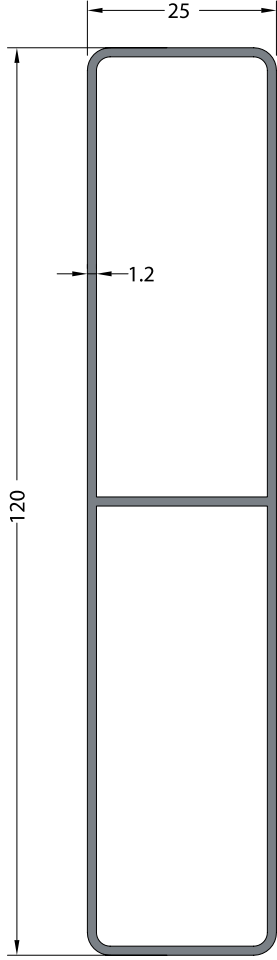
tırprofilleri / truckprofiles



**CODE / KOD**    **THEORETICAL WEIGHT kg/m**  
**963**            *TEORİK AĞIRLIK kg/m*  
**2.090**



**CODE / KOD**    **THEORETICAL WEIGHT kg/m**  
**964**            *TEORİK AĞIRLIK kg/m*  
**2.693**



Koruyucu eloksal

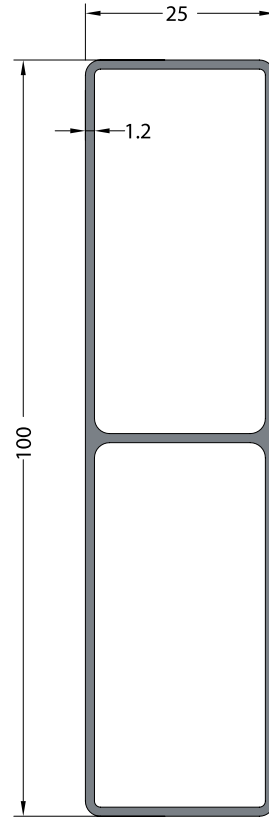
CODE / KOD

**965**

**THEORETICAL  
WEIGHT kg/m**

*TEORİK AĞIRLIK kg/m*

**0.988**



Koruyucu eloksal

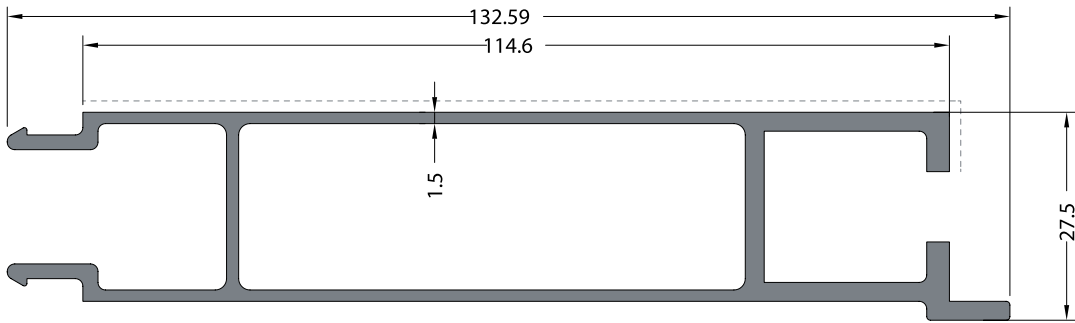
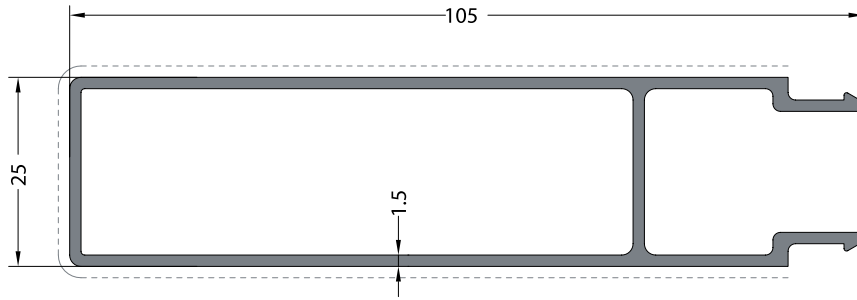
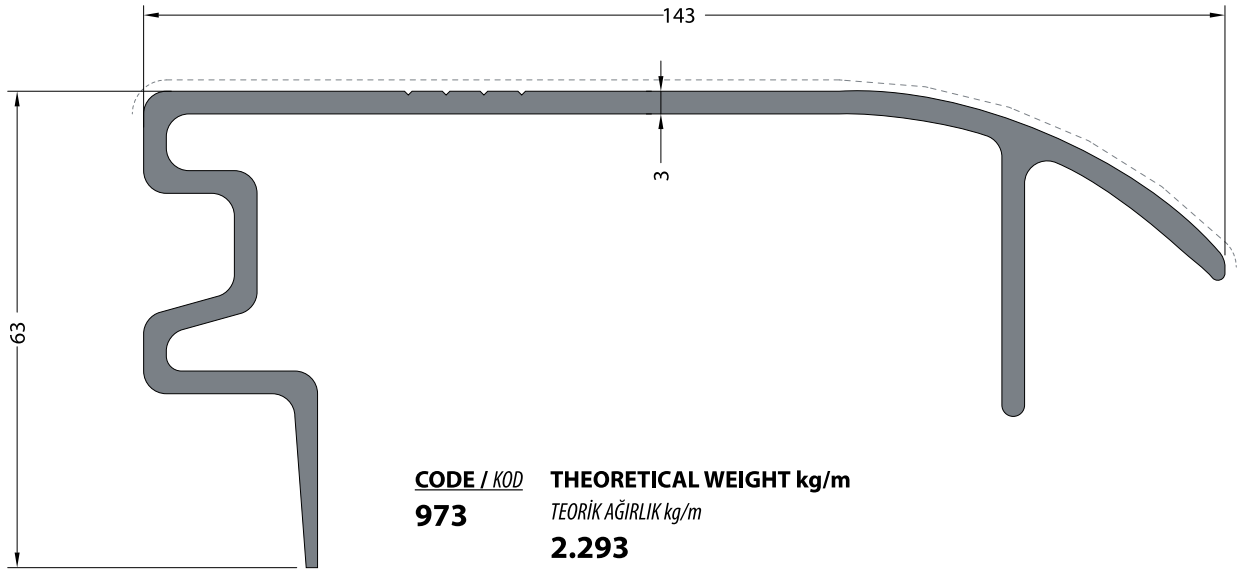
CODE / KOD

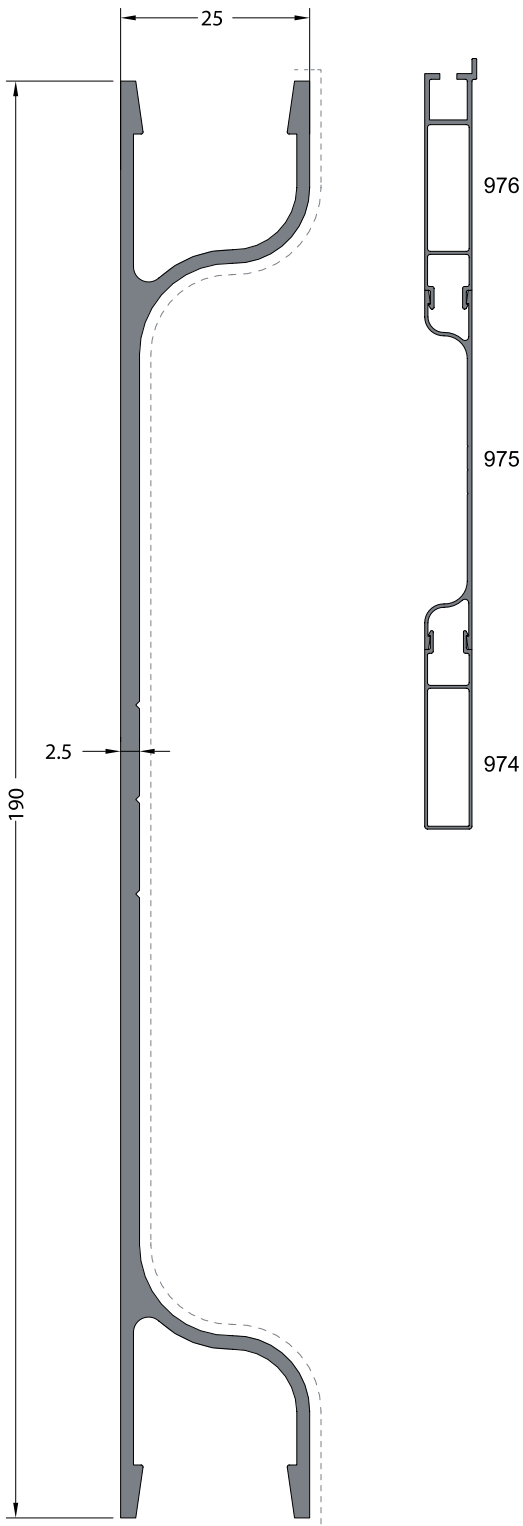
**966**

**THEORETICAL  
WEIGHT kg/m**

*TEORİK AĞIRLIK kg/m*

**0.872**





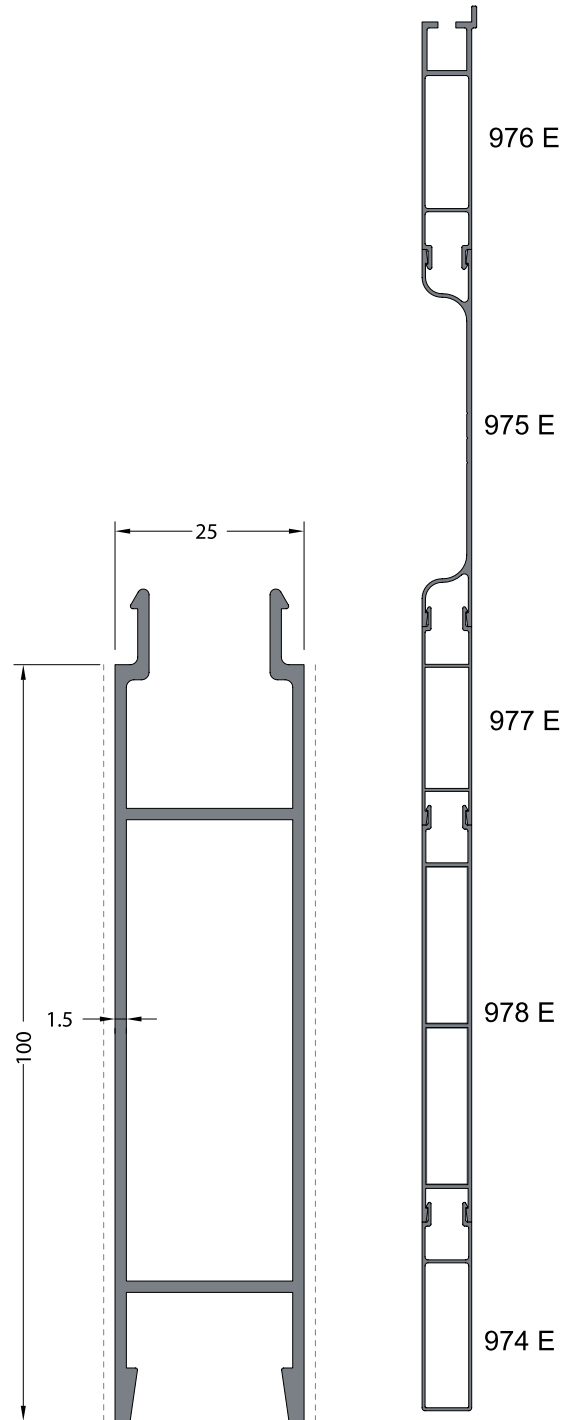
**CODE / KOD**

**975E**

**THEORETICAL WEIGHT kg/m**

*TEORİK AĞIRLIK kg/m*

**1.675**



**CODE / KOD**

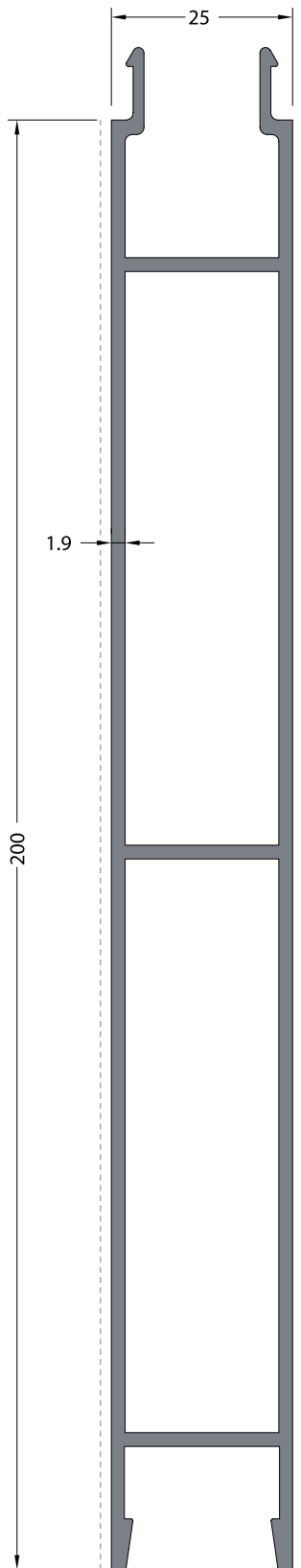
**977E**

**THEORETICAL WEIGHT kg/m**

*TEORİK AĞIRLIK kg/m*

**1.150**





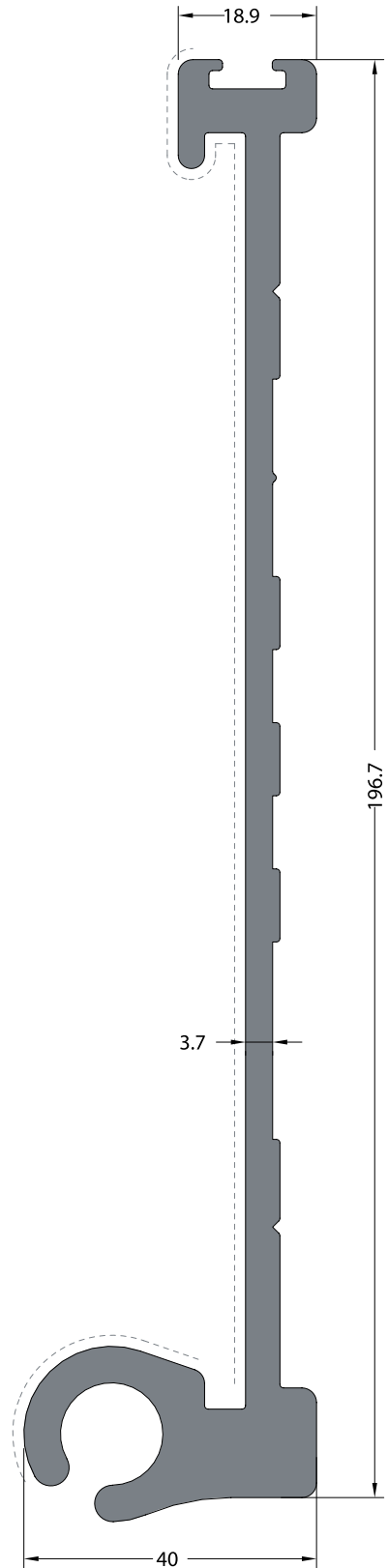
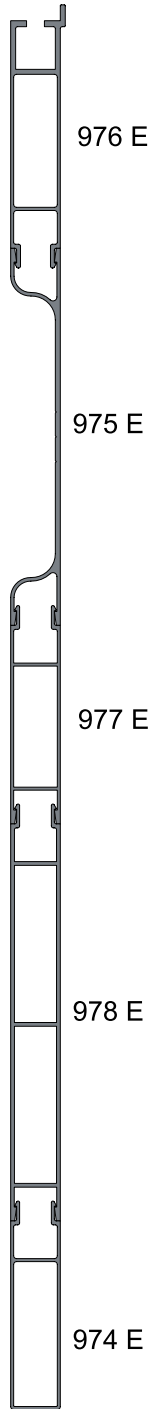
**CODE / KOD**

**978E**

**THEORETICAL WEIGHT kg/m**

*TEORİK AĞIRLIK kg/m*

**2.520**



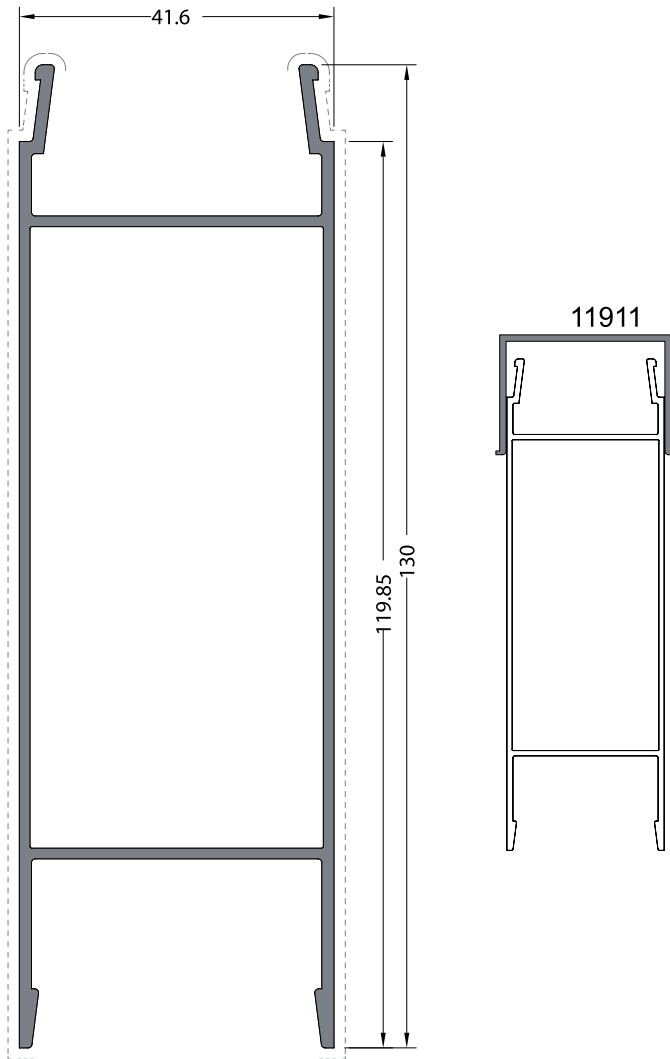
**CODE / KOD**

**988**

**THEORETICAL WEIGHT kg/m**

*TEORİK AĞIRLIK kg/m*

**3.835**



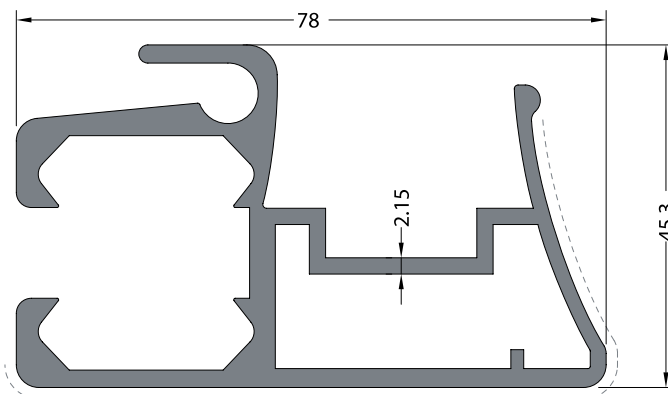
**CODE / KOD**

**994**

**THEORETICAL WEIGHT kg/m**

*TEORİK AĞIRLIK kg/m*

**1.374**



**CODE / KOD**

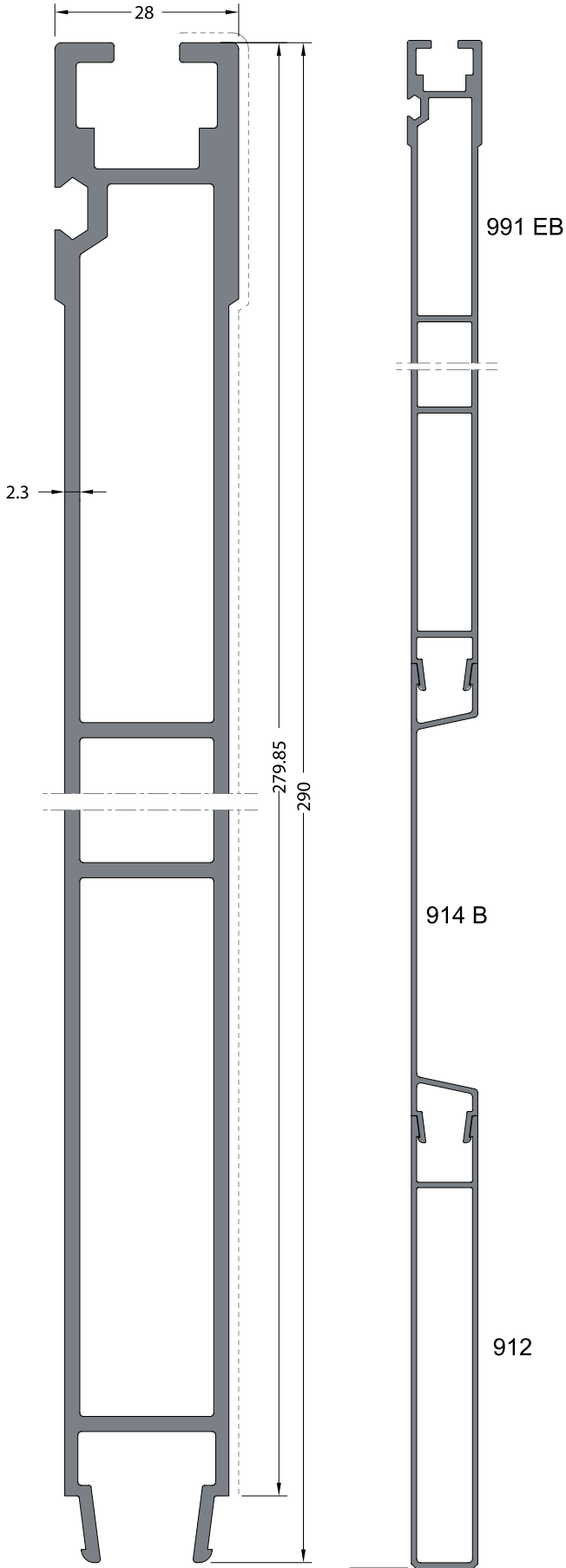
**989**

**THEORETICAL WEIGHT kg/m**

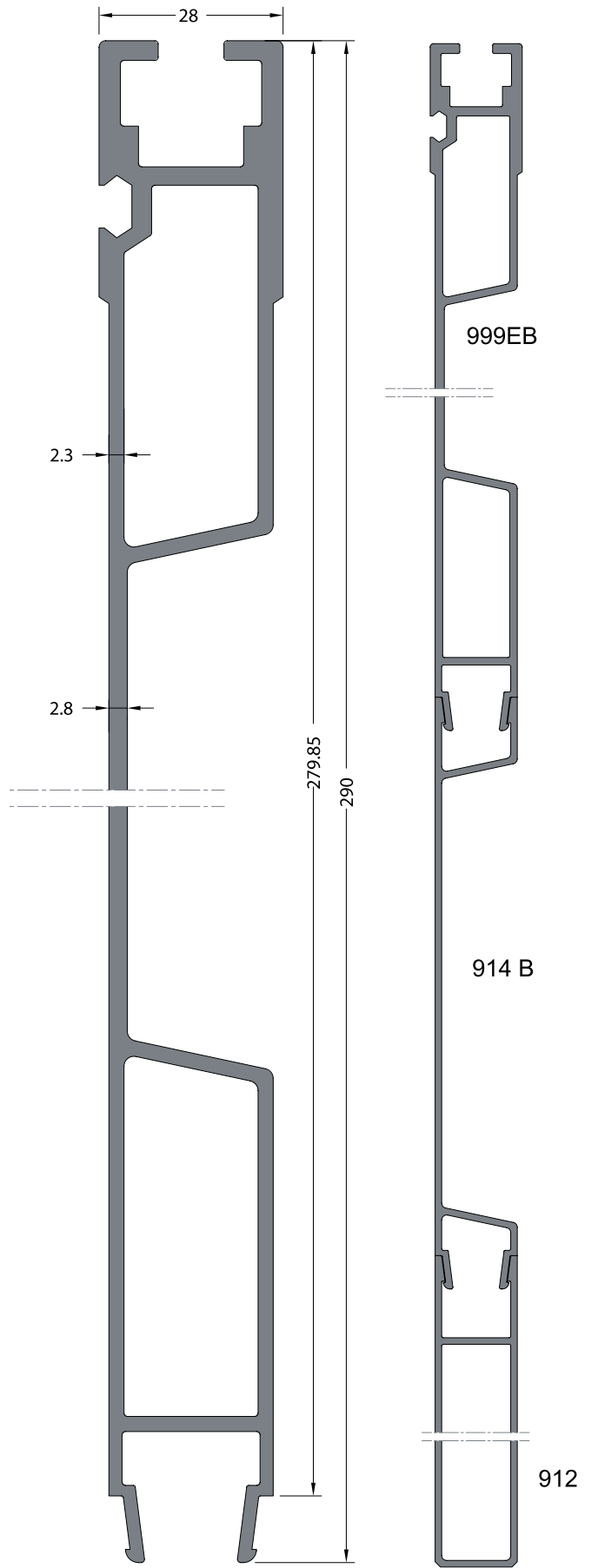
*TEORİK AĞIRLIK kg/m*

**1.970**

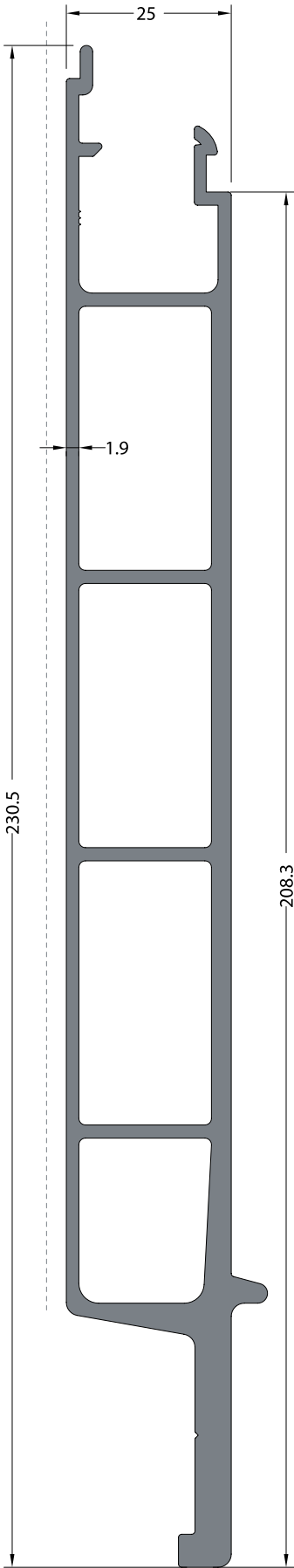
tırprofilleri / truckprofiles



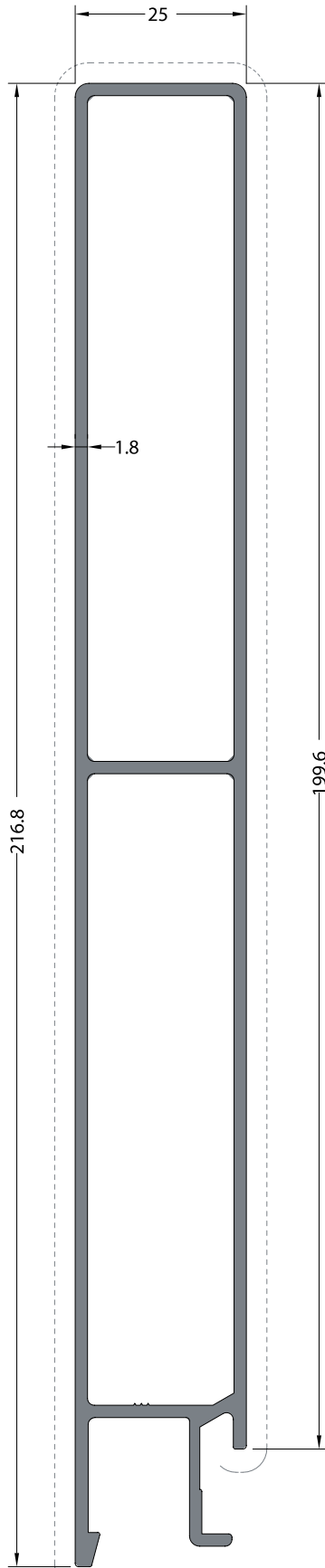
**CODE / KOD**    **THEORETICAL WEIGHT kg/m**  
**991EB**        *TEORİK AĞIRLIK kg/m*  
**4.567**



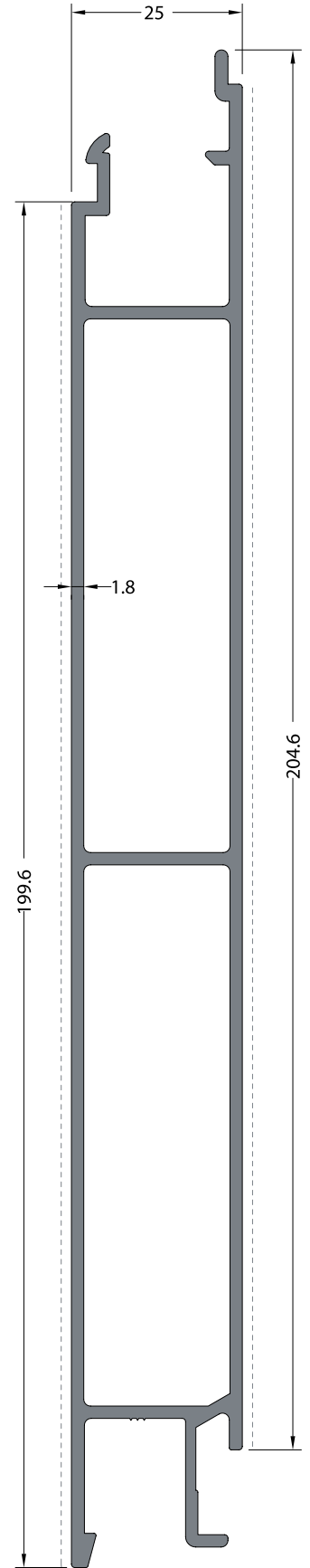
**CODE / KOD**    **THEORETICAL WEIGHT kg/m**  
**999EB**        *TEORİK AĞIRLIK kg/m*  
**3.906**



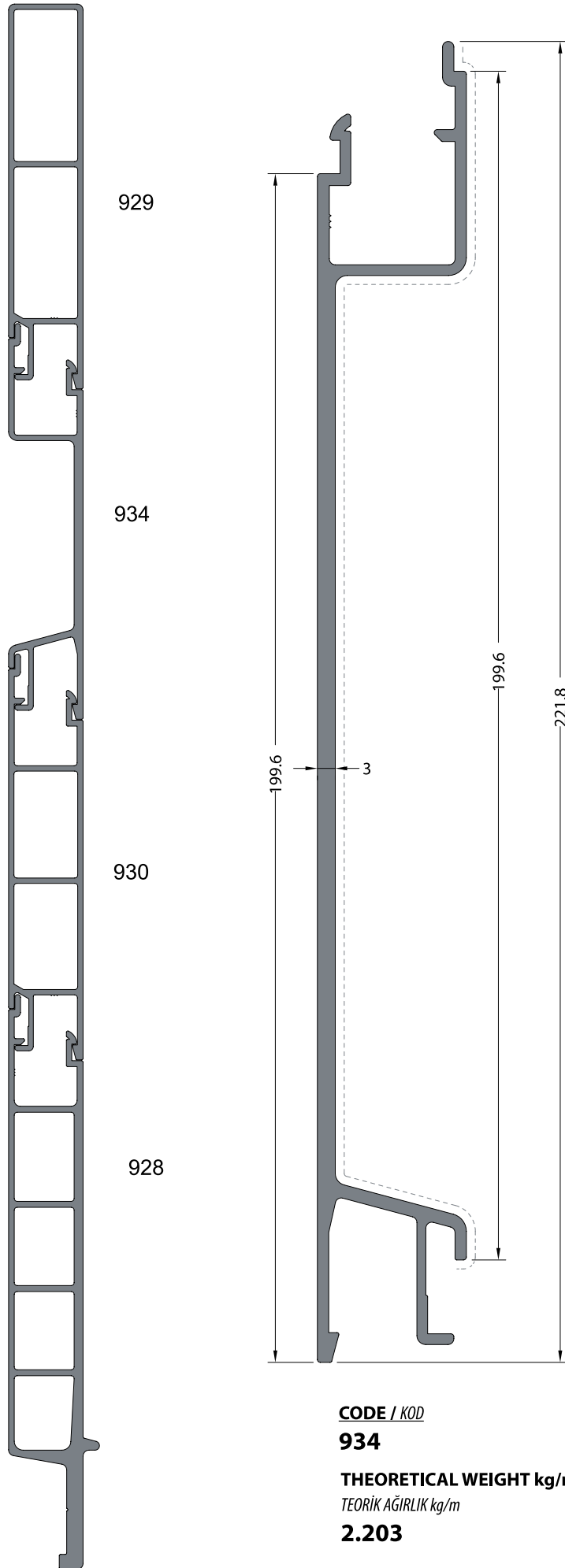
**CODE / KOD**  
**928** **THEORETICAL WEIGHT kg/m**  
*TEORİK AĞIRLIK kg/m*  
**3.764**



**CODE / KOD**  
**929** **THEORETICAL WEIGHT kg/m**  
*TEORİK AĞIRLIK kg/m*  
**2.478**



**CODE / KOD**  
**930** **THEORETICAL WEIGHT kg/m**  
*TEORİK AĞIRLIK kg/m*  
**2.548**



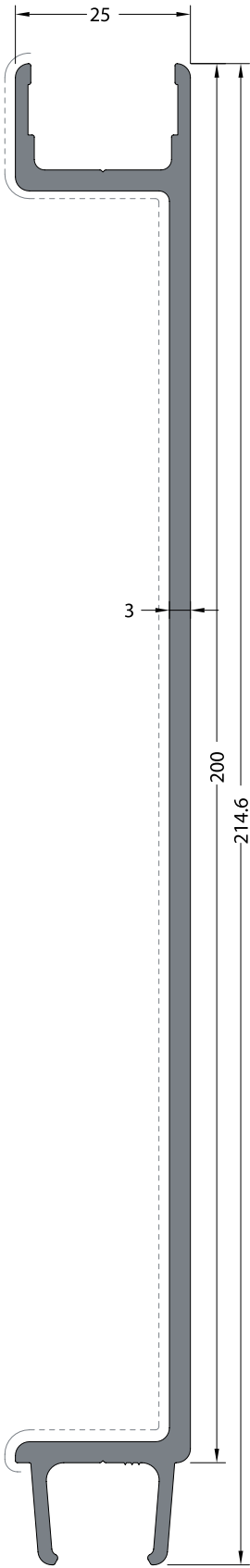
**CODE / KOD**

**934**

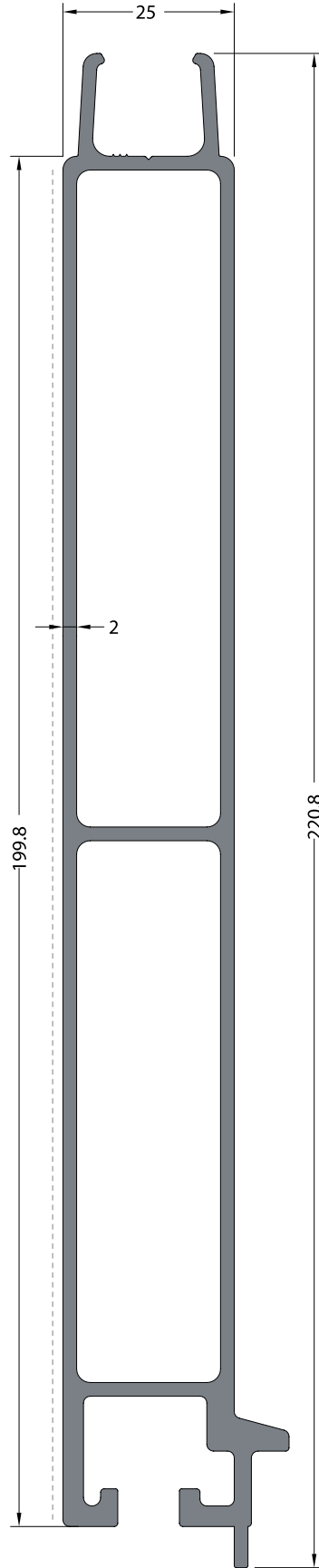
**THEORETICAL WEIGHT kg/m**

*TEORİK AĞIRLIK kg/m*

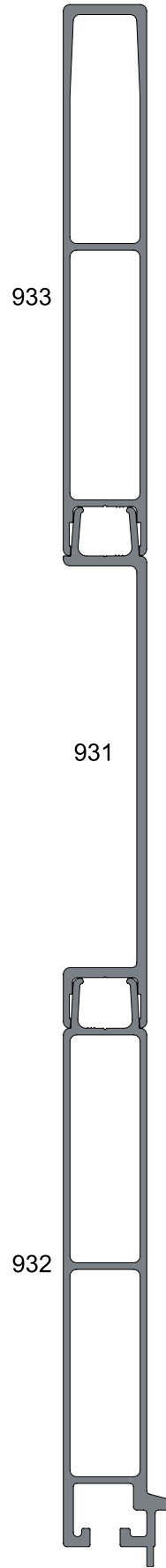
**2.203**



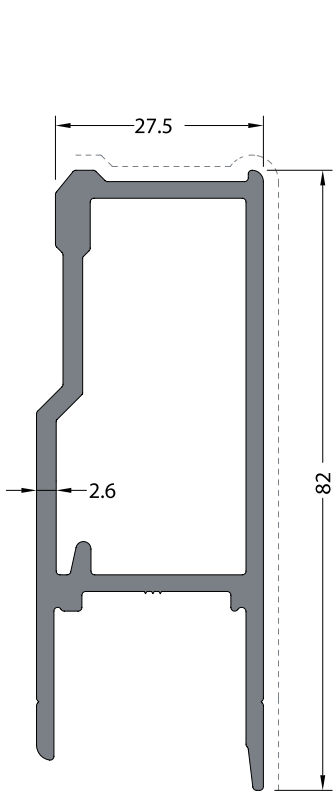
**CODE / KOD**  
**931** **THEORETICAL WEIGHT kg/m**  
TEORİK AĞIRLIK kg/m  
**2.202**



**CODE / KOD**  
**932** **THEORETICAL WEIGHT kg/m**  
TEORİK AĞIRLIK kg/m  
**1.033**



**CODE / KOD**  
**933** **THEORETICAL WEIGHT kg/m**  
TEORİK AĞIRLIK kg/m  
**3.069**



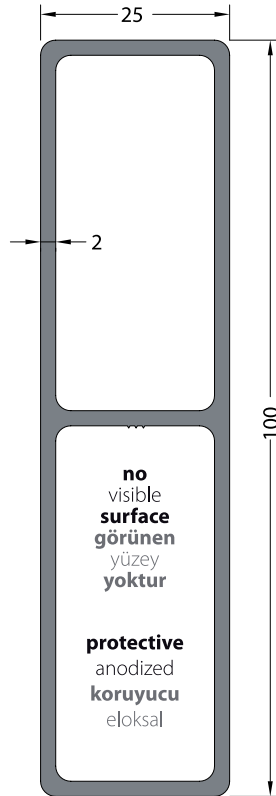
**CODE / KOD**

**935**

**THEORETICAL WEIGHT kg/m**

*TEORİK AĞIRLIK kg/m*

**1.429**



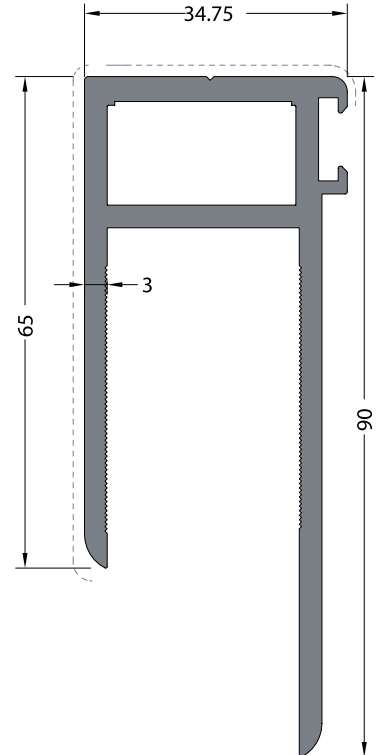
**CODE / KOD**

**936**

**THEORETICAL WEIGHT kg/m**

*TEORİK AĞIRLIK kg/m*

**1.435**



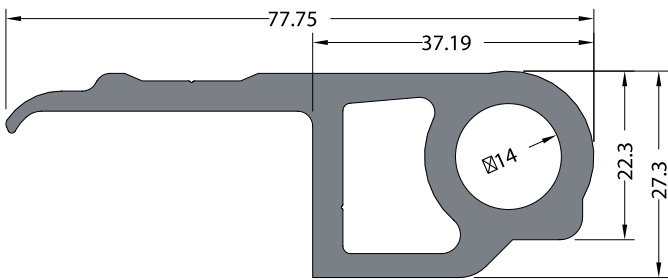
**CODE / KOD**

**982**

**THEORETICAL WEIGHT kg/m**

*TEORİK AĞIRLIK kg/m*

**1.701**



**no visible surface görünen yüzey yoktur**

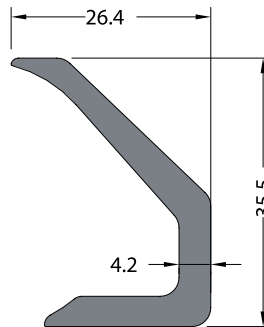
**CODE / KOD**

**985**

**THEORETICAL WEIGHT kg/m**

*TEORİK AĞIRLIK kg/m*

**1.769**



**no visible surface görünen yüzey yoktur**

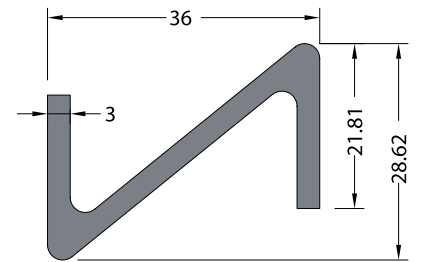
**CODE / KOD**

**986**

**THEORETICAL WEIGHT kg/m**

*TEORİK AĞIRLIK kg/m*

**0.671**



**no visible surface görünen yüzey yoktur**

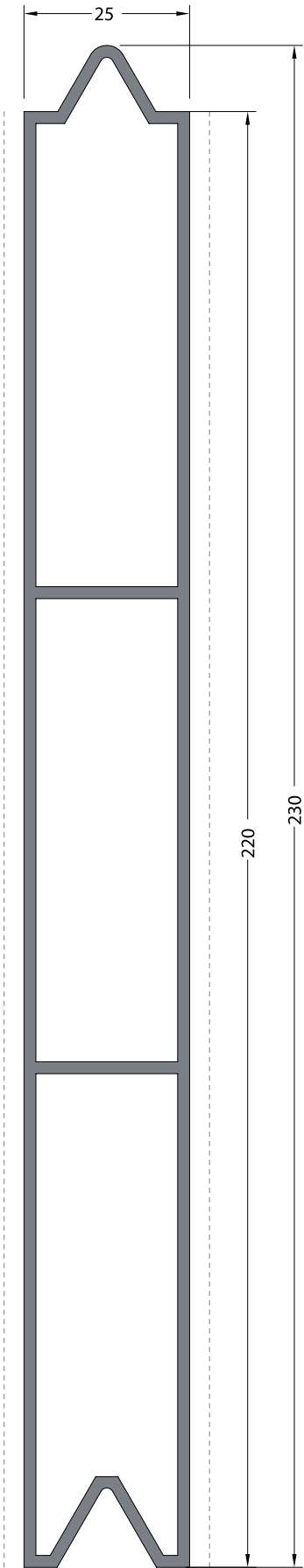
**CODE / KOD**

**987**

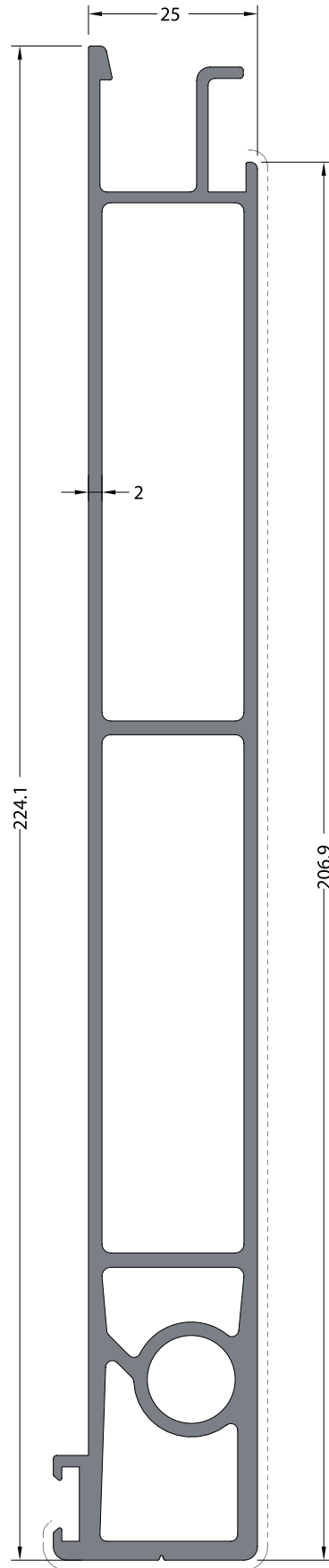
**THEORETICAL WEIGHT kg/m**

*TEORİK AĞIRLIK kg/m*

**0.684**



**CODE / KOD** THEORETICAL WEIGHT kg/m  
**990** TEORİK AĞIRLIK kg/m  
**2.685**



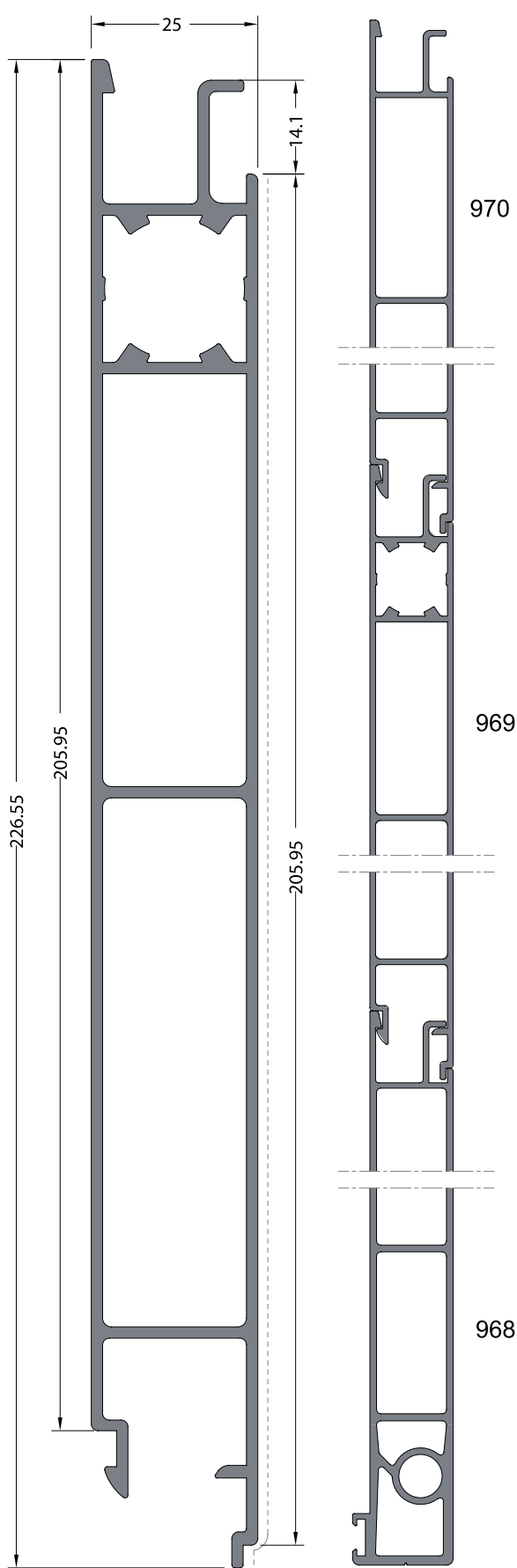
**CODE / KOD** THEORETICAL WEIGHT kg/m  
**968** TEORİK AĞIRLIK kg/m  
**3.427**

969

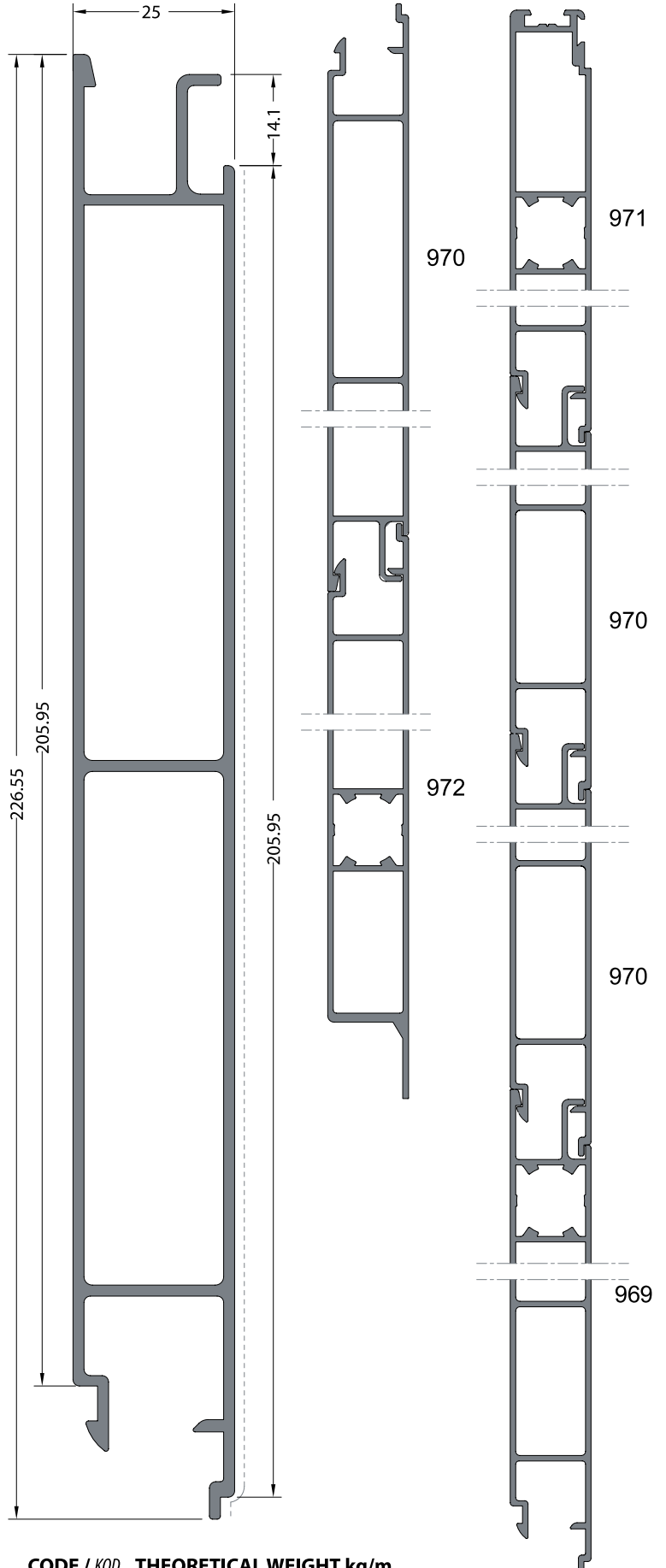
968



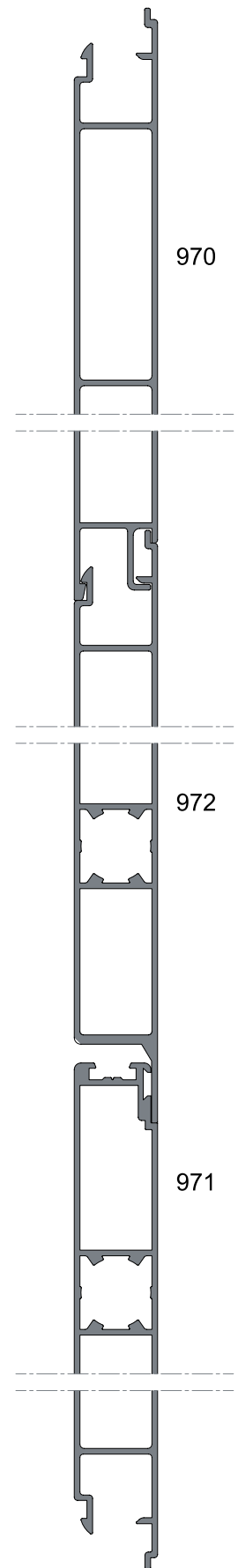
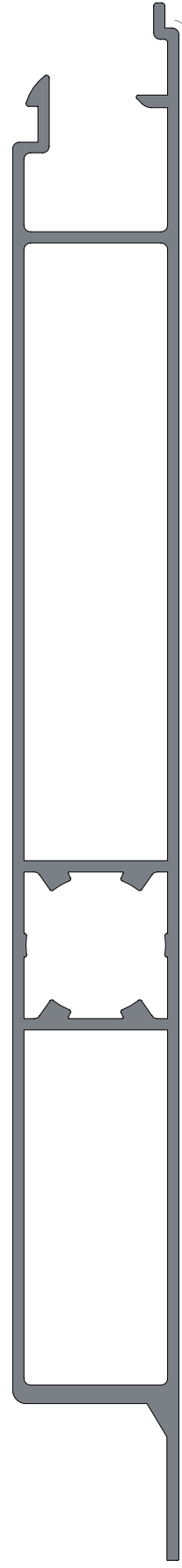
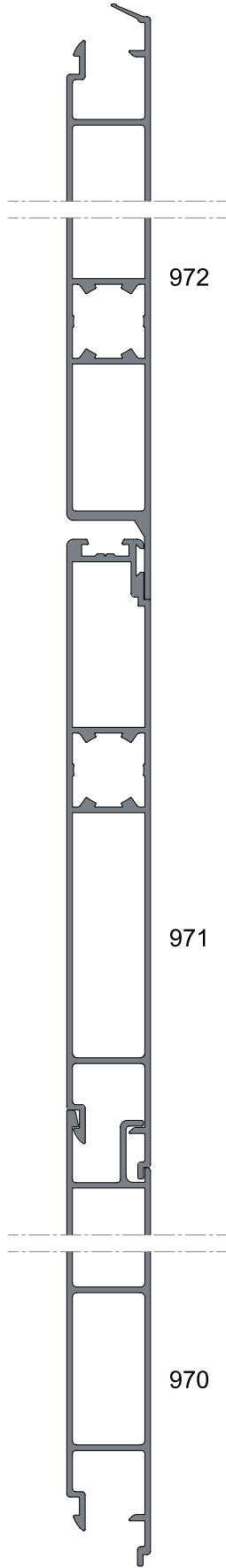
tırprofilleri / truckprofiles



**CODE / KOD** THEORETICAL WEIGHT kg/m  
**969** TEORİK AĞIRLIK kg/m  
**2.653**



**CODE / KOD** THEORETICAL WEIGHT kg/m  
**970** TEORİK AĞIRLIK kg/m  
**2.449**



**CODE / KOD** **THEORETICAL WEIGHT kg/m**  
**971** *TEORİK AĞIRLIK kg/m*  
**2.561**

**CODE / KOD** **THEORETICAL WEIGHT kg/m**  
**972** *TEORİK AĞIRLIK kg/m*  
**2.650**

Produced by 

**KURTOĞLU BAKIR KURŞUN SAN. A.Ş.**

Hacıseremet Mevkii, Tem Çorlu Çıkışı Velimeşe 59880 Pk 323 Tekirdağ / TÜRKİYE

T: +90 282 684 70 00 F: +90 282 684 70 01

www.kurtogluas.com kurtoglu@kurtogluas.com

 **Lorenzoline®**  
aluminium profile system